



Z1315

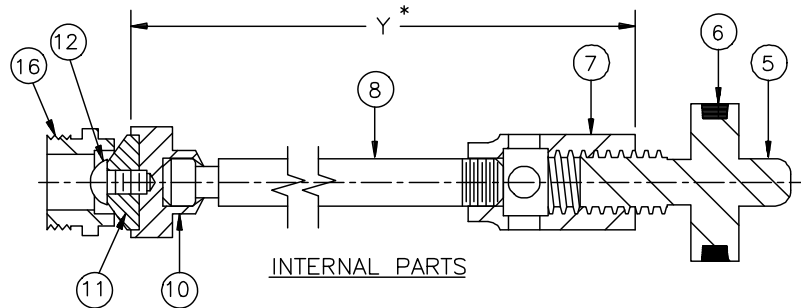
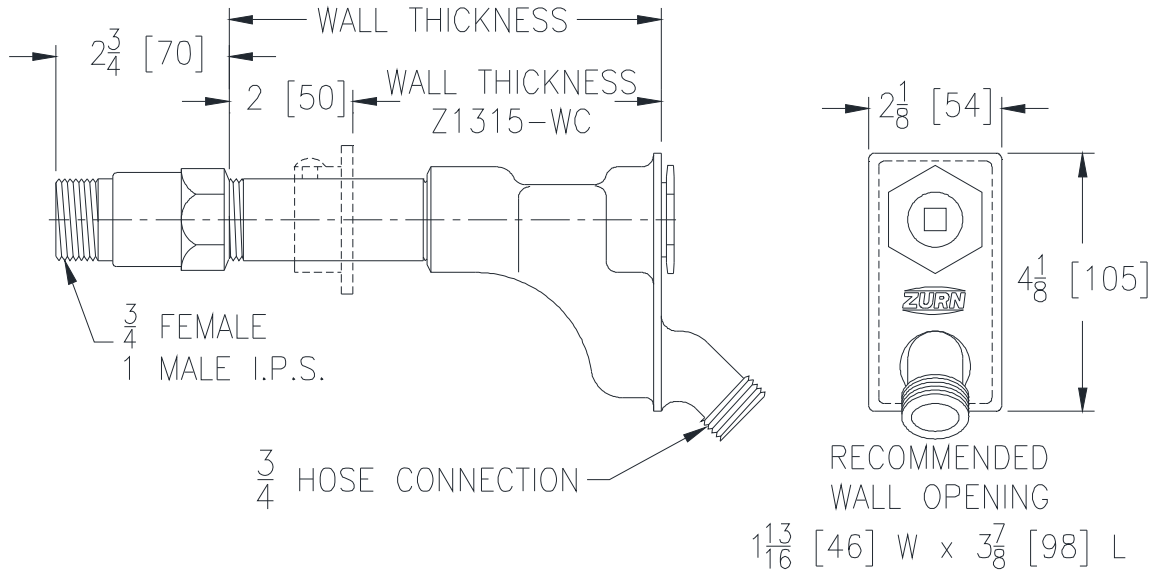
WALL HYDRANT

Exposed, Non-Freeze

SPECIFICATION SHEET

TAG _____

Dimensional Data (inches and [mm]) are Subject to Manufacturing Tolerances and Change Without Notice



Wall Thickness Inches [mm]	Approx. Wt. Lbs. [kg]
4, 6, 8 [102, 152, 203]	6 [3]
10, 12 [254, 305]	8 [4]
16, 18 [406, 457]	10 [4]

ENGINEERING SPECIFICATION: ZURN Z1315

Exposed, non-freeze wall hydrant, with bronze casing, all bronze interior parts, non-turning operating rod with free-floating compression closure valve, replaceable bronze seat and seat washer, and combination 3/4" female or 1" male straight IP inlet. Complete with operating key.

PARTS LIST

Item	Name	Quan.
5	Operating Screw	1
6	O-Ring	1
7	Operating Coupling	1
8	Operating Rod	1
16	Removable Seat	1
10	Washer Guide	1
11	Washer (neoprene)	1
12	Screw	1

OPTIONS (Check/specify appropriate options)

SUFFIXES

- ____ -PB Polished Bronze Face
- ____ -RA4 24 [610] Replacement Rod Assembly
- ____ -RK Hydrant Parts Repair Kit
- ____ -VB 3/4 [19] Adapter Vacuum Breaker
- ____ -WC Wall Clamp

* Regularly furnished unless otherwise specified.