



robern®

THE BEAUTY OF
THE UNEXPECTED

2021 US PRICE BOOK GUIDE



robern®



PRICE BOOK GUIDE

2	The Beauty of the Unexpected
4	Tailor-made Solutions
12	Transformative Technology
16	Leading-edge Designs
20	Discontinued Product Summary
21	Customer Service – Quick Reference Guide
22	Quick Ship Program
25	Freight and Return Policy
27	Warranty and Terms and Conditions
28	Warranty Request Form
29	Medicine Cabinets
153	Lighting
177	Mirrors
207	Vanities & Tops
289	Accessories
304	Replacement Parts
309	Model Number Price Index
333	Colors & Finishes

THE BEAUTY OF THE UNEXPECTED

At the heart of Robern is a belief that the best things in life are unexpected, which is why we treat everything we craft — from mirrors to vanities, from medicine cabinets to lighting collections — as an opportunity to go above and beyond what anyone might expect. It's the implementation of thoughtful and surprising design, technology and quality materials that can truly turn a product into a meaningful, highly personalized experience. And to us, there's nothing more beautiful than that.





IN THIS ROOM Cartesian® vanity in Satin White with night lights; Custom top; Custom lighted mirror

TAILOR-MADE SOLUTIONS

Since we introduced our modular cabinetry and lighting nearly three decades ago, we've gone on to design thoughtful, unexpected solutions for a range of luxury bathroom projects. Because we understand that just as each customer has unique needs, so does each space. Across residential and commercial, our philosophy continues to build on the guiding principles of modularity and quality — transforming every design vision into a reality all its own.





IN THIS ROOM Profiles® medicine cabinet with Matte Gold finish and electric; Profiles vanity in Arcobaleno Antique Mirror with Matte Gold finish and night lights; Custom top



IN THIS ROOM PL PORTRAY™ medicine cabinet in polished edge with Storage + Electric Upgrade; Vesper™ lighting with Edgeline style in soft light (3000K); Cartesian® vanity in Reeded White with night lights; White Zeus Extreme vanity top

MEDICINE CABINETS THAT MAXIMIZE SPACE

For 50 years, medicine cabinets have been the cornerstone of our line of luxury storage solutions. With modular designs, frame and finish options, and a multitude of sizes to choose from, Robern medicine cabinets offer exceptional flexibility to meet the needs of any styling space.



TECH

Keep your styling tools and tech devices powered up — and safely off the countertop — with built-in electrical outlets and USB ports.

ERGONOMICS

Designed with you in mind, our medicine cabinets feature enhanced ergonomics — like ample storage space and intuitive functionality — that allow you to move efficiently through your space, taking the stress out of your daily routine.

STORAGE

Robern medicine cabinets offer ample storage for your everyday essentials, keeping your styling space clutter-free. Upgrade with optional accessories to organize the tools and products you use often.



TOP PORTRAY™ Electric Upgrade
BOTTOM LEFT PORTRAY Sliding
Magnification Mirror
BOTTOM RIGHT PORTRAY Quick Caddy

VANITIES WITH VERSATILITY

Between the Cartesian® and Profiles® collection of vanities, the possibilities are practically endless. Known as the world's most accommodating vanity, Cartesian allows for customization in size, color, drawer count and unique interior features. A full-suite solution with lighting and mirrors, Profiles can be paired to custom-fit any styling space and streamline any routine.





TOP LEFT Profiles® vanity in Beach with Matte Gold finish
TOP RIGHT Profiles vanity in Satin Bronze with Matte Black finish
BOTTOM Cartesian® vanity in White and Matte White



TOP LEFT Freestanding magnification mirror
BOTTOM LEFT Night light
RIGHT Medicine cabinet accessory trays





DESIGN IS IN THE DETAILS

Our versatility doesn't stop at the surface. By looking inside each product, we can craft moments that allow imaginations to run wild — sparking the joy that comes with possibility. From integrated night lights to custom organization kits to in-drawer electrical outlets, no detail goes unnoticed. No touch is too small. Nothing is overlooked in our mission to engineer the unexpected.



IN THIS ROOM Uplift® Tech medicine cabinet with perimeter light pattern in 2700K color temperature, dimmable, Matte Black handle, electric, night light and defogger; Profiles® vanity in Satin Bronze with Matte Black finish and night lights; Custom top



TRANSFORMATIVE TECHNOLOGY

When it comes to technology, it's not necessarily about what's trending. To us, the most successful technology serves an authentic and lasting purpose. Being mindful of your evolving needs in a time-pressed culture has fueled our pursuit of the perfect features. So every one is thoughtfully designed and meaningfully incorporated — all with an eye toward transforming your routine, your space and your experience in unexpected and delightful ways.

TRANSFORMATIVE FEATURES

OM® AUDIO

Turn your mirror into a personal audio system. Unlike traditional speakers that provide unidirectional sound, OM Audio lets your music resonate through the entire mirror, creating a richer, fuller audio experience. Connect your mobile device using high-fidelity Bluetooth® audio to listen to your favorite music tracks.

TUNABLE LIGHTING

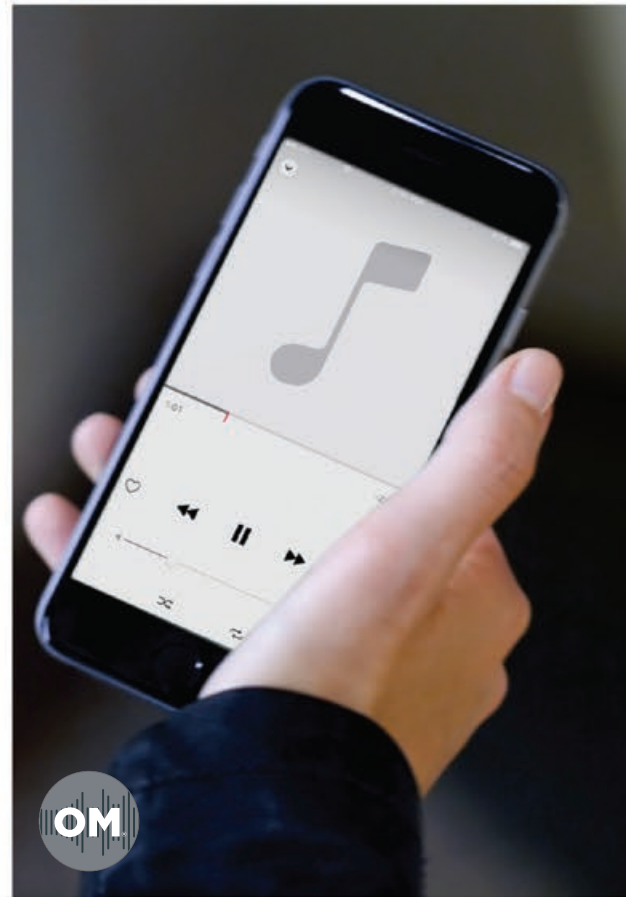
Variable lighting option lets you fine-tune your color temperature between warm (2700K) and cool (5600K) tones for Profiles® lighting and between warm (3000K) and cool (4000K) tones for InLine lighting.

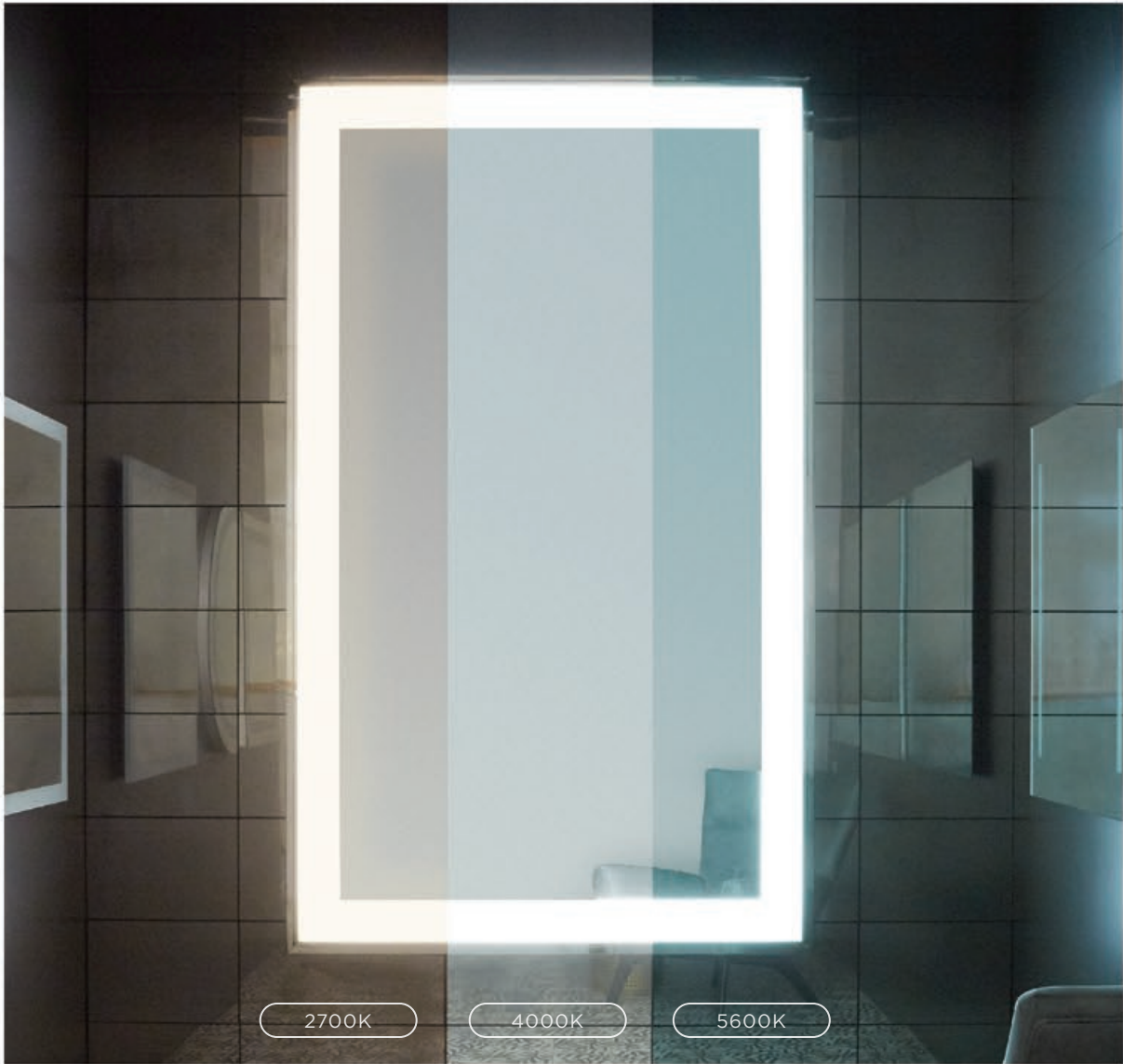
DEFOGGER

Defogging technology ensures a clear reflection, so a steamy shower won't slow down your mornings.

USB/ELECTRICAL OUTLETS

Power when and where you need it most, with the added benefit of integrated USB ports to conveniently charge your mobile and media devices.





2700K

4000K

5600K



TOP LEFT OM® Audio for the AiO® collection
 TOP RIGHT Tunable lighting technology from 2700 Kelvin to 5600 Kelvin
 BOTTOM LEFT Uplift® Tech medicine cabinet with defogger
 BOTTOM RIGHT Electrical outlets, magnetic strip, night light and Entice® magnification mirror in M Series medicine cabinet

LEADING-EDGE DESIGNS

At Robern, we have a long history of designing for taste makers. People with an elevated sense of style. People who want this distinction reflected in the pieces that occupy their spaces. People like you. With our growing design team at Robern, we're harnessing the desire for bespoke and unique belongings and using it to inform how we craft product exteriors — creating exciting advancements to marry our superior technology with leading-edge design.





IN THIS ROOM Sculpt® lighted mirror with Chamfer museum frame with Matte Gold finish, dimmable and defogger; Profiles® vanities in Arcobaleno Antique Mirror with Matte Gold finish and night lights; Custom top



TOP LEFT Luna Antique Mirror glass
TOP RIGHT Sculpt® Chamfer museum frames
with Matte Gold and Matte Black finishes
BOTTOM Reeded Brass for Cartesian® vanities



IN THIS PHOTO Chief Designer, Seth Stevens and Senior Designer, Linda Yang

ROBERN DESIGN TEAM

Helmed by Chief Designer Seth Stevens and Senior Designer Linda Yang, Robern offers forward-thinking design and unparalleled style tantamount to the superior technology and functionality incorporated into each of our products. Recent product launches that encapsulate this powerful design combination include Sculpt[®] lighted mirrors and several finish and material options for the Profiles[®] and Cartesian[®] vanity collection.

Discontinued Product Summary

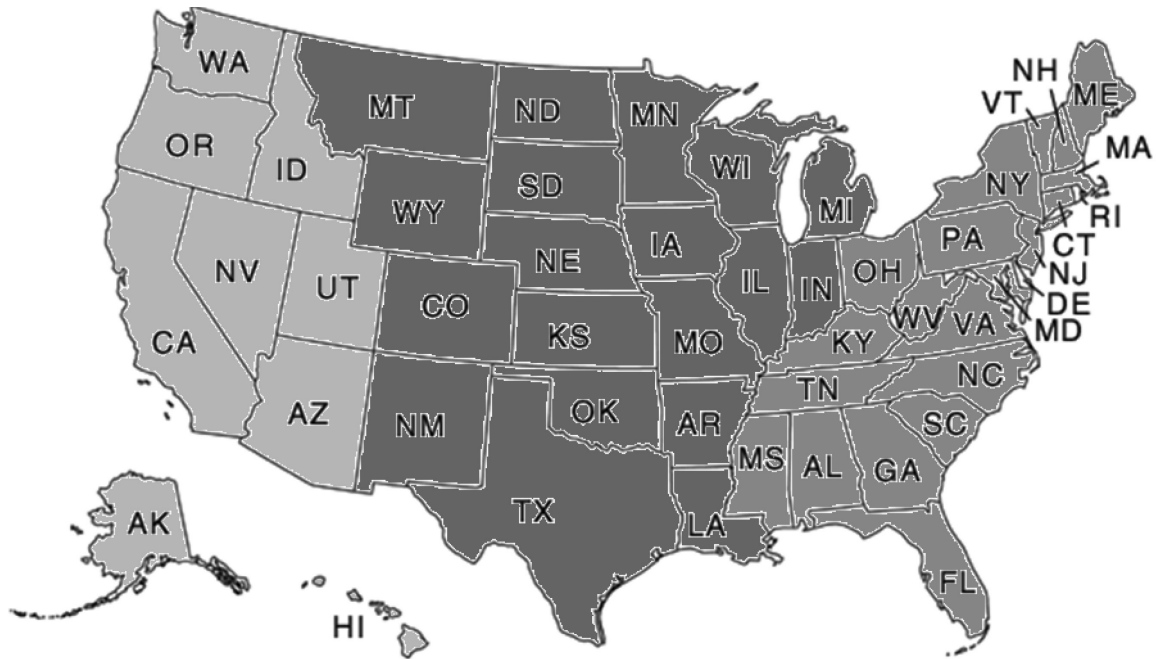
- Safety Lock Box Accessory
- V14® Vanity and Accessories
- 5,000 Kelvin Night Light on Cartesian® and Curated Cartesian
- CLEDS – 5,000 Kelvin Night Light Accessory
- Main Line Sconces
- PL Series Medicine Cabinets (Non-Electric & Electric) – White, Black Interiors
- M Series Decorative Medicine Cabinets (Non-Electric & Electric) – 30" H and 40" H
- Decorative Side Kits – 30" H and 40" H

Customer Service – Quick Reference Guide

Call 800-877-2376 for:

- Design Specification Questions
- Installation Questions
- Placing an Order
- Order Status Check
- Warranty
- Replacement Parts
- Returns

You will be asked to choose a prompt based on where you live:



PRESS 3 includes Canada	PRESS 2	PRESS 1
-----------------------------------	----------------	----------------

If you are calling regarding a Commercial Specification project, PRESS 4.

If you prefer email, and are a HOMEOWNER OR CONTRACTOR contact us at: CustomerService@Robern.com.

If you prefer email, and are a SHOWROOM, DISTRIBUTOR OR DESIGNER/SPECIFIER contact us at:

RobernEast@Robern.com = East Region

RobernCentral@Robern.com = Central Region

RobernWest@Robern.com = West Region

RobernCanada@Robern.com = Canada Region

If you prefer email, and are interested in CUSTOM PROJECT SOLUTIONS (for commercial specification projects), contact us at: Custom@Robern.com.

Hours of Operation: Monday – Friday, 8am – 6pm EST

Robern® Quick Ship Program

- Robern Quick Ship Program is intended for use by Robern's dealers only.
- Robern Quick Ship orders must be placed on a separate P.O. Begin your Quick Ship P.O. with "QR" and/or clearly mark the order "Quick Ship".
- Maximum order value for Quick Ship order \$3000 net.
- Net order must exceed \$1500 to get freight pre-paid by Robern. If order does not exceed \$1500, shipping charges outlined on page 25 will apply.

- All Robern sales and shipping conditions stated on pages 25 – 27 of the 2021 price guide apply.
- Orders will ship within 72 hours of receipt of order.
- Quick Ship orders are non-cancelable.
- The models listed below are the only models available on the Quick Ship Program. These models are also marked throughout the book with a:



Model No.	Product	Page	Price
AiO₂ Cabinets/Mirrors			
AC2430D4P1L	24"W x 30"H Cabinet, LH, 4000K	67	\$ 2,099.
AC2430D4P1LW	24"W x 30"H Cabinet, LH, 2700K	67	\$ 2,099.
AC2430D4P1R	24"W x 30"H Cabinet, RH, 4000K	67	\$ 2,099.
AC2430D4P1RW	24"W x 30"H Cabinet, RH, 2700K	67	\$ 2,099.
AC2440D4P1L	24"W x 40"H Cabinet, LH, 4000K	67	\$ 2,629.
AC2440D4P1LW	24"W x 40"H Cabinet, LH, 2700K	67	\$ 2,629.
AC2440D4P1R	24"W x 40"H Cabinet, RH, 4000K	67	\$ 2,629.
AC2440D4P1RW	24"W x 40"H Cabinet, RH, 2700K	67	\$ 2,629.
AM2430RFP	24"W x 30"H Mirror, 4000K	189	\$ 1,529.
AM2430RFPW	24"W x 30"H Mirror, 2700K	189	\$ 1,529.
AM2440RFP	24"W x 40"H Mirror, 4000K	189	\$ 1,799.
AM2440RFPW	24"W x 40"H Mirror, 2700K	189	\$ 1,799.
Vitality₂ Medicine Cabinets			
YC2430D4P1L3	24"W x 30"H, Left Hinge	73	\$ 1,249.
YC2430D4P1R3	24"W x 30"H, Right Hinge	73	\$ 1,249.
YC2440D4P1L3	24"W x 40"H, Left Hinge	73	\$ 1,499.
YC2440D4P1R3	24"W x 40"H, Right Hinge	73	\$ 1,499.
M Series Cabinets/Components			
MC1230D4FPL	12"W x 30"H x 4"D, Polished, LH	100	\$ 879.
MC1230D4FPR	12"W x 30"H x 4"D, Polished, RH	100	\$ 879.
MC1230D4FPLE2	12"W x 30"H x 4"D, Pol, LH, Elec	100	\$ 1,299.
MC1230D4FPRE2	12"W x 30"H x 4"D, Pol, RH, Elec	100	\$ 1,299.
MC1240D4FPL	12"W x 40"H x 4"D, Polished, LH	108	\$ 1,199.
MC1240D4FPR	12"W x 40"H x 4"D, Polished, RH	108	\$ 1,199.
MC1240D4FPLE2	12"W x 40"H x 4"D, Pol, LH, Elec	108	\$ 1,649.
MC1240D4FPRE2	12"W x 40"H x 4"D, Pol, RH, Elec	108	\$ 1,649.
MC1630D4FPL	16"W x 30"H x 4"D, Polished, LH	102	\$ 979.
MC1630D4FPR	16"W x 30"H x 4"D, Polished, RH	102	\$ 979.
MC1630D4FPLE2	16"W x 30"H x 4"D, Pol, LH, Elec	102	\$ 1,449.
MC1630D4FPRE2	16"W x 30"H x 4"D, Pol, RH, Elec	102	\$ 1,449.
MC1630D4FPLE4	16"W x 30"H x 4"D, Pol, LH, Elec+	102	\$ 1,779.
MC1630D4FPRE4	16"W x 30"H x 4"D, Pol, RH, Elec+	102	\$ 1,779.
MC1640D4FPL	16"W x 40"H x 4"D, Polished, LH	110	\$ 1,299.
MC1640D4FPR	16"W x 40"H x 4"D, Polished, RH	110	\$ 1,299.
MC1640D4FPLE2	16"W x 40"H x 4"D, Pol, LH, Elec	110	\$ 1,779.
MC1640D4FPRE2	16"W x 40"H x 4"D, Pol, RH, Elec	110	\$ 1,779.
MC1640D4FPLE4	16"W x 40"H x 4"D, Pol, LH, Elec+	110	\$ 2,149.
MC1640D4FPRE4	16"W x 40"H x 4"D, Pol, RH, Elec+	110	\$ 2,149.
MC2030D4FPL	20"W x 30"H x 4"D, Polished, LH	104	\$ 1,149.
MC2030D4FPR	20"W x 30"H x 4"D, Polished, RH	104	\$ 1,149.
MC2030D4FPLE2	20"W x 30"H x 4"D, Pol, LH, Elec	104	\$ 1,599.
MC2030D4FPRE2	20"W x 30"H x 4"D, Pol, RH, Elec	104	\$ 1,599.

Model No.	Product	Page	Price
M Series Cabinets/Components (continued)			
MC2030D4FPLE4	20"W x 30"H x 4"D, Pol, LH, Elec+	104	\$ 1,929.
MC2030D4FPRE4	20"W x 30"H x 4"D, Pol, RH, Elec+	104	\$ 1,929.
MC2040D4FPL	20"W x 40"H x 4"D, Polished, LH	112	\$ 1,449.
MC2040D4FPR	20"W x 40"H x 4"D, Polished, RH	112	\$ 1,449.
MC2040D4FPLE2	20"W x 40"H x 4"D, Pol, LH, Elec	112	\$ 1,879.
MC2040D4FPRE2	20"W x 40"H x 4"D, Pol, RH, Elec	112	\$ 1,879.
MC2040D4FPLE4	20"W x 40"H x 4"D, Pol, LH, Elec+	112	\$ 2,249.
MC2040D4FPRE4	20"W x 40"H x 4"D, Pol, RH, Elec+	112	\$ 2,249.
MC2430D4FPL	24"W x 30"H x 4"D, Polished, LH	106	\$ 1,199.
MC2430D4FPR	24"W x 30"H x 4"D, Polished, RH	106	\$ 1,199.
MC2430D4FPLE2	24"W x 30"H x 4"D, Pol., LH, Elec	106	\$ 1,649.
MC2430D4FPRE2	24"W x 30"H x 4"D, Pol., RH, Elec	106	\$ 1,649.
MC2430D4FPLE4	24"W x 30"H x 4"D, Pol., LH, Elec+	106	\$ 2,029.
MC2430D4FPRE4	24"W x 30"H x 4"D, Pol., RH, Elec+	106	\$ 2,029.
MC2440D4FPL	24"W x 40"H x 4"D, Polished, LH	114	\$ 1,499.
MC2440D4FPR	24"W x 40"H x 4"D, Polished, RH	114	\$ 1,499.
MC2440D4FPLE2	24"W x 40"H x 4"D, Pol, LH, Elec	114	\$ 1,929.
MC2440D4FPRE2	24"W x 40"H x 4"D, Pol, RH, Elec	114	\$ 1,929.
MC2440D4FPLE4	24"W x 40"H x 4"D, Pol, LH, Elec+	114	\$ 2,329.
MC2440D4FPRE4	24"W x 40"H x 4"D, Pol, RH, Elec+	114	\$ 2,329.
M SMK30D4P	Surface-Mount Kit for 30"H x 4"D	298	\$ 149.
M SMK40D4P	Surface-Mount Kit for 40"H x 4"D	298	\$ 249.
M GKIT	30"/40" Cabinet Ganging Kit	297	\$ 49.
Main Line Cabinets			
DC2430D4BMG76	Bryn Mawr® 24"W x 30"H, Chrome	125	\$ 1,349.
DC2430D4BMGLE76	Bryn Mawr 24"W x 30"H, LH, El, Chr	125	\$ 1,649.
DC2430D4BMGRE76	Bryn Mawr 24"W x 30"H, RH, El, Chr	125	\$ 1,649.
DC2430D4MEG76	Merion® 24"W x 30"H, Chrome	131	\$ 1,349.
DC2430D4MEGLE76	Merion 24"W x 30"H, LH, Elec, Chr	131	\$ 1,649.
DC2430D4MEGRE76	Merion 24"W x 30"H, RH, Elec, Chr	131	\$ 1,649.
DC2430D4RMG76	Rosemont® 24"W x 30"H, Chrome	137	\$ 1,349.
DC2430D4RMGLE76	Rosemont 24"W x 30"H, LH, El, Chr	137	\$ 1,649.
DC2430D4RMGRE76	Rosemont 24"W x 30"H, RH, El, Chr	137	\$ 1,649.
DC2440D4BMG76	Bryn Mawr 24"W x 40"H, Chrome	128	\$ 1,579.
DC2440D4BMGLE76	Bryn Mawr 24"W x 40"H, LH, El, Chr	128	\$ 1,879.
DC2440D4BMGRE76	Bryn Mawr 24"W x 40"H, RH, El, Chr	128	\$ 1,879.
DC2440D4MEG76	Merion 24"W x 40"H, Chrome	134	\$ 1,579.
DC2440D4MEGLE76	Merion 24"W x 40"H, LH, Elec, Chr	134	\$ 1,879.
DC2440D4MEGRE76	Merion 24"W x 40"H, RH, Elec, Chr	134	\$ 1,879.
DC2440D4RMG76	Rosemont 24"W x 40"H, Chrome	140	\$ 1,579.
DC2440D4RMGLE76	Rosemont 24"W x 40"H, LH, Elec, Chr	140	\$ 1,879.
DC2440D4RMGRE76	Rosemont 24"W x 40"H, RH, El, Chr	140	\$ 1,879.

Refer to product page for complete description.

Continued on following page.

Terms and conditions of Quick Ship Program subject to change.

Robern® Quick Ship Program

- Robern Quick Ship Program is intended for use by Robern's dealers only.
- Robern Quick Ship orders must be placed on a separate P.O. Begin your Quick Ship P.O. with "QR" and/or clearly mark the order "Quick Ship".
- Maximum order value for Quick Ship order \$3000 net.
- Net order must exceed \$1500 to get freight pre-paid by Robern. If order does not exceed \$1500, shipping charges outlined on page 25 will apply.

- All Robern sales and shipping conditions stated on pages 25 – 27 of the 2021 price guide apply.
- Orders will ship within 72 hours of receipt of order.
- Quick Ship orders are non-cancelable.
- The models listed below are the only models available on the Quick Ship Program. These models are also marked throughout the book with a:



Model No.	Product	Page	Price
PL Series Cabinets/Components			
PLM1630G	16"W x 30"H, Polished, Gray	144	\$ 549.
PLM1630GLE	16"W x 30"H, Pol, LH, Elec, Gray	144	\$ 879.
PLM1630GRE	16"W x 30"H, Pol, RH, Elec, Gray	144	\$ 879.
PLM1630GB	16"W x 30"H, Bevel, Gray	144	\$ 549.
PLM1630GBLE	16"W x 30"H, Bev, LH, Elec, Gray	144	\$ 879.
PLM1630GBRE	16"W x 30"H, Bev, RH, Elec, Gray	144	\$ 879.
PLM1640G	16"W x 40"H, Polished, Gray	144	\$ 679.
PLM1640GLE	16"W x 40"H, Pol, LH, Elec, Gray	144	\$ 979.
PLM1640GRE	16"W x 40"H, Pol, RH, Elec, Gray	144	\$ 979.
PLM1640GB	16"W x 40"H, Bevel, Gray	144	\$ 679.
PLM1640GBLE	16"W x 40"H, Bev, LH, Elec, Gray	144	\$ 979.
PLM1640GBRE	16"W x 40"H, Bev, RH, Elec, Gray	144	\$ 979.
PLM2030G	20"W x 30"H, Polished, Gray	145	\$ 599.
PLM2030GLE	20"W x 30"H, Pol, LH, Elec, Gray	145	\$ 929.
PLM2030GRE	20"W x 30"H, Pol, RH, Elec, Gray	145	\$ 929.
PLM2030GB	20"W x 30"H, Bevel, Gray	145	\$ 599.
PLM2030GBLE	20"W x 30"H, Bev, LH, Elec, Gray	145	\$ 929.
PLM2030GBRE	20"W x 30"H, Bev, RH, Elec, Gray	145	\$ 929.
PLM2040G	20"W x 40"H, Polished, Gray	145	\$ 729.
PLM2040GLE	20"W x 40"H, Pol, LH, Elec, Gray	145	\$ 1,029.
PLM2040GRE	20"W x 40"H, Pol, RH, Elec, Gray	145	\$ 1,029.
PLM2040GB	20"W x 40"H, Bevel, Gray	145	\$ 729.
PLM2040GBLE	20"W x 40"H, Bev, LH, Elec, Gray	145	\$ 1,029.
PLM2040GBRE	20"W x 40"H, Bev, RH, Elec, Gray	145	\$ 1,029.
PLM2430G	24"W x 30"H, Polished, Gray	146	\$ 679.
PLM2430GLE	24"W x 30"H, Pol, LH, Elec, Gray	146	\$ 979.
PLM2430GRE	24"W x 30"H, Pol, RH, Elec, Gray	146	\$ 979.
PLM2430GB	24"W x 30"H, Bevel, Gray	146	\$ 679.
PLM2430GBLE	24"W x 30"H, Bev, LH, Elec, Gray	146	\$ 979.
PLM2430GBRE	24"W x 30"H, Bev, RH, Elec, Gray	146	\$ 979.
PLM2440G	24"W x 40"H, Polished, Gray	146	\$ 779.
PLM2440GLE	24"W x 40"H, Pol, LH, Elec, Gray	146	\$ 1,079.
PLM2440GRE	24"W x 40"H, Pol, RH, Elec, Gray	146	\$ 1,079.
PLM2440GB	24"W x 40"H, Bevel, Gray	146	\$ 779.
PLM2440GBLE	24"W x 40"H, Bev, LH, Elec, Gray	146	\$ 1,079.
PLM2440GBRE	24"W x 40"H, Bev, RH, Elec, Gray	146	\$ 1,079.
PLSMK30D4P	PL Surface-Mount Kit for 30"H x 4"D	299	\$ 149.
PLSMK40D4P	PL Surface-Mount Kit for 40"H x 4"D	299	\$ 249.
PLGKIT	PL Series Ganging Kit	297	\$ 49.

Refer to product page for complete description.

Model No.	Product	Page	Price
R³ Series Cabinets/Components			
RC1620D4FB1	16"W x 20"H, Bevel	150	\$ 279.
RC1620D4FP1	16"W x 20"H, Polished	150	\$ 279.
RC1626D4FB1	16"W x 26"H, Bevel	150	\$ 449.
RC1626D4FP1	16"W x 26"H, Polished	150	\$ 449.
RC1636D4FB1	16"W x 36"H, Bevel	150	\$ 579.
RC1636D4FP1	16"W x 36"H, Polished	150	\$ 579.
RC2026D4FB1	20"W x 26"H, Bevel	151	\$ 529.
RC2026D4FP1	20"W x 26"H, Polished	151	\$ 529.
RC2036D4FB1	20"W x 36"H, Bevel	151	\$ 699.
RC2036D4FP1	20"W x 36"H, Polished	151	\$ 699.
RC2426D4FB1	24"W x 26"H, Bevel	152	\$ 579.
RC2426D4FP1	24"W x 26"H, Polished	152	\$ 579.
RC2436D4FB1	24"W x 36"H, Bevel	152	\$ 799.
RC2436D4FP1	24"W x 36"H, Polished	152	\$ 799.
RSMK20D4P	R ³ Surface-Mount Kit for 20"H	299	\$ 149.
RSMK26D4P	R ³ Surface-Mount Kit for 26"H	299	\$ 149.
RSMK36D4P	R ³ Surface-Mounting for 36"H	299	\$ 149.
Lighting/Components			
GLA30ELPS3D	Vesper® Lts, 1-3/8"W, 30"H, Edgeline	162	\$ 599.
GLB30MLSS3D	Vesper Lt, 2-3/4"W, 30"H, Midline	162	\$ 349.
GLB30ULSS3D	Vesper Lt, 2-3/4"W, 30"H, Outline	162	\$ 399.
GLA36ELPS3D	Vesper Lts, 1-3/8"W, 36"H, Edgeline	162	\$ 699.
GLB36MLSS3D	Vesper Lt, 2-3/4"W, 36"H, Midline	162	\$ 399.
GLB36ULSS3D	Vesper Lt, 2-3/4"W, 36"H, Outline	162	\$ 449.
GLA40ELPS3D	Vesper Lts, 1-3/8"W, 40"H, Edgeline	162	\$ 799.
GLB40MLSS3D	Vesper Lt, 2-3/4"W, 40"H, Midline	162	\$ 449.
GLB40ULSS3D	Vesper Lt, 2-3/4"W, 40"H, Outline	162	\$ 499.
ML3.530ILSFMRD3	30"H 3.5 InLine Lights, 3000K	171	\$ 849.
ML3.530ILSFMRD4	30"H 3.5 InLine Lights, 4000K	171	\$ 849.
ML3.530ILSFMRDV	30"H 3.5 InLine Lights, Variable	171	\$ 999.
ML3.540ILSFMRD3	40"H 3.5 InLine Lights, 3000K	171	\$ 949.
ML3.540ILSFMRD4	40"H 3.5 InLine Lights, 4000K	171	\$ 949.
ML3.540ILSFMRDV	40"H 3.5 InLine Lights, Variable	171	\$ 1,179.
UFLPAL	Uplift® Pendant, Anodized Aluminum	175	\$ 749.
UFLPCRL	Uplift Pendant, Polished Chrome	175	\$ 879.
UFLPBNL	Uplift Pendant, Brushed Nickel	175	\$ 879.
UFLPPNL	Uplift Pendant, Polished Nickel	175	\$ 879.
UFLWAL	Uplift Sconce, Anodized Aluminum	175	\$ 749.
UFLWCRL	Uplift Sconce, Polished Chrome	175	\$ 879.
UFLWBNL	Uplift Sconce, Brushed Nickel	175	\$ 879.
UFLWPNL	Uplift Sconce, Polished Nickel	175	\$ 879.
X219-1145	Uplift Bulb: 24W, 3000K, 2G11	175	\$ 99.

Continued on following page.

Terms and conditions of Quick Ship Program subject to change.

Robern® Quick Ship Program

- Robern Quick Ship Program is intended for use by Robern's dealers only.
- Robern Quick Ship orders must be placed on a separate P.O. Begin your Quick Ship P.O. with "QR" and/or clearly mark the order "Quick Ship".
- Maximum order value for Quick Ship order \$3000 net.
- Net order must exceed \$1500 to get freight pre-paid by Robern. If order does not exceed \$1500, shipping charges outlined on page 25 will apply.

- All Robern sales and shipping conditions stated on pages 25 – 27 of the 2021 price guide apply.
- Orders will ship within 72 hours of receipt of order.
- Quick Ship orders are non-cancelable.
- The models listed below are the only models available on the Quick Ship Program. These models are also marked throughout the book with a:



Model No.	Product	Page	Price
Vitality® Lighted Mirrors			
YM0030CIFPD3	30" Diameter, Circle Inset, 2700K	202	\$ 929.
YM0030CIFPD4	30" Diameter, Circle Inset, 4000K	202	\$ 929.
YM0030CPFPD3	30" Diameter, Circle Perimeter, 2700K	202	\$ 879.
YM0040CIFPD3	40" Diameter, Circle Inset, 2700K	202	\$ 1,129.
YM0040CIFPD4	40" Diameter, Circle Inset, 4000K	202	\$ 1,129.
YM0040CPFPD3	40" Diameter, Circle Perimeter, 2700K	202	\$ 1,079.
YM2430RCFPD3	24"W x 30"H, Rect Column, 2700K	201	\$ 599.
YM2430RCFPD4	24"W x 30"H, Rect Column, 4000K	201	\$ 599.
YM2430RIFPD3	24"W x 30"H, Rect Inset, 2700K	202	\$ 829.
YM2430RIFPD4	24"W x 30"H, Rect Inset, 4000K	202	\$ 829.
YM2430RPFDP3	24"W x 30"H, Rect Perimeter, 2700K	201	\$ 779.
YM2430RPFDP3K	24"W x 30"H, Rect P, 2700K/Title 24	201	\$ 949.
YM2430RSFPD3	24"W x 30"H, Rect Edge Lit, 2700K	200	\$ 699.
YM2430RGFPD3	24"W x 30"H, Rect Glow, 2700K	200	\$ 699.
YM2440RCFPD3	24"W x 40"H, Rect Column, 2700K	201	\$ 649.
YM2440RCFPD4	24"W x 40"H, Rect Column, 4000K	201	\$ 649.
YM2440RIFPD3	24"W x 40"H, Rect Inset, 2700K	202	\$ 879.
YM2440RIFPD4	24"W x 40"H, Rect Inset, 4000K	202	\$ 879.
YM2440RPFDP3	24"W x 40"H, Rect Perimeter, 2700K	201	\$ 829.
YM2440RPFDP3K	24"W x 40"H, Rect P, 2700K/Title 24	201	\$ 999.
YM2440RSFPD3	24"W x 40"H, Rect Edge Lit, 2700K	200	\$ 749.
YM2440RGFPD3	24"W x 40"H, Rect Glow, 2700K	200	\$ 749.
YM3030RCFPD3	30"W x 30"H, Rect Column, 2700K	201	\$ 729.
YM3030RCFPD4	30"W x 30"H, Rect Column, 4000K	201	\$ 729.
YM3030RIFPD3	30"W x 30"H, Rect Inset, 2700K	202	\$ 929.
YM3030RIFPD4	30"W x 30"H, Rect Inset, 4000K	202	\$ 929.
YM3030RPFDP3	30"W x 30"H, Rect Perimeter, 2700K	201	\$ 879.
YM3040RCFPD3	30"W x 40"H, Rect Column, 2700K	201	\$ 779.
YM3040RCFPD4	30"W x 40"H, Rect Column, 4000K	201	\$ 779.
YM3040RIFPD3	30"W x 40"H, Rect Inset, 2700K	202	\$ 999.
YM3040RIFPD4	30"W x 40"H, Rect Inset, 4000K	202	\$ 999.
YM3040RPFDP3	30"W x 40"H, Rect Perimeter, 2700K	201	\$ 979.
YM3040RPFDP3K	30"W x 40"H, Rect P, 2700K/Title 24	201	\$ 1,129.
YM3040RSFPD3	30"W x 40"H, Rect Edge Lit, 2700K	200	\$ 879.
YM3040RGFPD3	30"W x 40"H, Rect Glow, 2700K	200	\$ 879.
YM3630RCFPD3	36"W x 30"H, Rect Column, 2700K	201	\$ 829.
YM3630RCFPD4	36"W x 30"H, Rect Column, 4000K	201	\$ 829.
YM3630RIFPD3	36"W x 30"H, Rect Inset, 2700K	202	\$ 1,079.
YM3630RIFPD4	36"W x 30"H, Rect Inset, 4000K	202	\$ 1,079.
YM3630RPFDP3	36"W x 30"H, Rect Perimeter, 2700K	201	\$ 999.
YM3640RCFPD3	36"W x 40"H, Rect Column, 2700K	201	\$ 879.
YM3640RCFPD4	36"W x 40"H, Rect Column, 4000K	201	\$ 879.

Model No.	Product	Page	Price
Vitality Lighted Mirrors (continued)			
YM3640RIFPD3	36"W x 40"H, Rect Inset, 2700K	202	\$ 1,129.
YM3640RIFPD4	36"W x 40"H, Rect Inset, 4000K	202	\$ 1,129.
YM3640RPFDP3	36"W x 40"H, Rect Perimeter, 2700K	201	\$ 1,079.
YM3640RPFDP3K	36"W x 40"H, Rect P, 2700K/Title 24	201	\$ 1,229.
YM3640RSFPD3	36"W x 40"H, Rect Edge Lit, 2700K	200	\$ 999.
YM3640RGFPD3	36"W x 40"H, Rect Glow, 2700K	200	\$ 999.
Curated Cartasian® Vanities (5 – 7 Day Lead Time)			
24219100NB00001	24"W x 15"H x 21"D, White/Gray	272	\$ 3,229.
24219100NB00002	24"W x 30"H x 21"D, White/Gray	272	\$ 4,879.
30219100NB00001	30"W x 15"H x 21"D, Wht/Gray	274	\$ 3,929.
30219100NB00002	30"W x 30"H x 21"D, Wht/Gray	274	\$ 6,129.
36219100NB00001	36"W x 15"H x 21"D, Wht/Gray	276	\$ 4,599.
36219100NB00002	36"W x 30"H x 21"D, Wht/Gray	276	\$ 7,399.
Cabinet/Vanity Accessories			
5M0008FLUT76	Freestnd Mag Mirror, Lit, Unfrm, Chrome	294	\$ 269.
5M0008FUUN70	Freestnd Mag Mirror, Unfrm, Satin Nickl	294	\$ 199.
5M0008FUUN76	Freestnd Mag Mirror, Unfrm, Chrome	294	\$ 199.
5M0008FUUN83	Freestnd Mag Mirror, Unfrm, Matt Black	294	\$ 199.
5M0008FUUN85	Free Mag Mirror, Unfrm, Lt Brsh Bronze	294	\$ 199.
5M0008WLUT76	Wall-Mt Mag Mirror, Lit, Unfrm, Chrome	294	\$ 289.
7M0008WUFN76S	Wall-Mt Mag Mirror, Frm, Swiv, Chrome	294	\$ 219.
CAMM	Compact Adj. Magnification Mirror	295	\$ 49.
ENTICE	Entice® Magnification Mirror	294	\$ 449.
ENTICEDOCK	Entice Magnification Mirror w/Dock	294	\$ 499.
POMM	Pull-Out Magnifying Mirror	295	\$ 249.
SOMM	Silver Swing-Out Magnifying Mirror	295	\$ 99.
GLASSBIN3.25	Glass Bin, Small	301	\$ 49.
GLASSBIN5.25	Glass Bin, Medium	301	\$ 49.
GLASSBIN8.5	Glass Bin, Large	301	\$ 49.
GLASSBIN6.38	Glass Bin, Divided Storage	301	\$ 49.
MA-TRAY2.5	Razor/Phone Holder Accessory Tray	296	\$ 29.
MA-TRAY3	3" Accessory Tray	296	\$ 29.
MA-TRAY5	5" Accessory Tray	296	\$ 29.
MHANDLEKIT	Chrome Handle	295	\$ 179.
MPUSHKIT	Push-to-Open Mechanism	295	\$ 99.
VAELECTRIC21	Vanity Electric Accessory, 21"D	301	\$ 499.
VAHAIRORG	Vanity Hair Styling Organizer	301	\$ 249.
VMGKITH1	Vanity Ganging Kit, 7-1/2"H	302	\$ 99.
VMGKITH2	Vanity Ganging Kit, 15"H	302	\$ 99.
VMGKITH3	Vanity Ganging Kit, 22-1/2"H	302	\$ 229.
VMGKITH4	Vanity Ganging Kit, 30"H	302	\$ 229.

Refer to product page for complete description.

Terms and conditions of Quick Ship Program subject to change.

Freight Policy

Freight Policy

Quick Ship

- Expediting fee by zone:
Zone 1 - \$0
Zone 2 - \$35
Zone 3 - \$50
Zone 4 - \$55

Distributors

- \$8000 net minimum order for freight paid by Robern
- Under \$8000 net minimum will incur a handling and freight charge as follows:
Zone 1 - \$600
Zone 2 - \$650
Zone 3 - \$700
Zone 4 - \$700

Dealers

- \$1500 net minimum order for freight paid by Robern
- Under \$1500 net minimum will incur a freight charge as follows:
Zone 1 - \$95
Zone 2 - \$115
Zone 3 - \$135
Zone 4 - \$145
- Under \$500 net minimum will incur a handling and freight charge as follows:
Zone 1 - \$60
Zone 2 - \$65
Zone 3 - \$70
Zone 4 - \$75

Zones

- Zone 1: CT, DE, FL, GA, MA, MD, ME, NC, NH, NJ, NY, PA, RI, SC, VA, VT
- Zone 2: AL, AR, IA, IL, IN, KS, KY, LA, MI, MN, MS, MO, NE, OH, OK, SD, ND, TN, TX, WI, WV
- Zone 3: AZ, CO, ID, MT, NM, NV, OR, UT, WA, WY
- Zone 4: CA

Overseas and Shipments Outside Contiguous United States

- All overseas shipments and shipments outside the contiguous United States will be rate quoted and the customer will pay actual freight costs.

Return Policy

Return Policy

Return Policy

- Prior written approval in the form of an RGA (**Return Goods Authorization**) must be obtained from the Robern Customer Delight Team
- All common carrier instructions on packaging should be followed, for example: *Do Not Stack or Do Not Lay Flat*
- Product must be returned in the same manner Robern originally shipped the product
- Vanities should not be stacked
- Products on pallets should not be laid flat and should remain palletized and not stacked, for example, Uplift[®] Tech Medicine Cabinets
- Product must be available in the current price book and not be discontinued or available as limited quantities
- 90 days return window from invoice date
- Buyer will incur a 25% restocking fee
- All products must be returned freight paid by customer
- Product must be received within 14 days of RGA issue date
- Robern reserves the right to approve or deny all returns

Safe Arrival Policy

Robern takes every reasonable precaution against breakage or other damage in transit.

It is the Buyer's responsibility to inspect products upon delivery for transit damage and/or shortage.

If damage or shortage is detected, it should be duly noted on the bill of lading prior to signing for the merchandise.

Buyer must then contact Robern to determine if the product can be repaired with replacement parts or returned to Robern in exchange for a new unit.

Please do not refuse delivery of damaged product.

Ineligible Product

- Modular Mirror
- Medicine Cabinet + IQ™ Digital Lock Box Curated SKUs
- All Frames:
 - Main Line mirrors and cabinets
 - Profiles[®] mirrors and cabinets
 - Sculpt[®] lighted mirrors
- Vitality[®] Lighted Mirrors
- All Replacement Doors
- All Accessories
- Essentials Palette (Stock Colors), Classic Palette and Inspire Palette (Special Order Colors):
 - Vanities, M Series Decorative Cabinets, Surface-Mount Kits and Side Kits
- Curated Cartesian[®] Vanities
- Engineered Stone Tops
- Previously installed or opened product
- **All product marked for discontinuation**

How To Make A Return

Email a note requesting an RGA to your Customer Delight Team at Robern with the following:

- Model and serial number of the product
- Copy of the invoice to verify date and purchase price of the product

Email – reference page 21

Return product along with a copy of the RGA and RGA # written on the carton. Product must be received in original packaging.

All common carrier instructions on packaging should be followed, for example: *Do Not Stack or Do Not Lay Flat*.

Once received at Robern, the product will be inspected and credit issued. The product must arrive at Robern in A-1 condition to receive credit.

Warranty/Terms and Conditions/Care and Cleaning

Limited Warranty, One-Year Term

Robern warrants to the original purchaser that it will, at its election, repair, replace, or make appropriate adjustment to products made by this company shown to have significant defects in material or workmanship which are reported to Robern in writing within one (1) year from the date of delivery. Robern is not responsible for installation costs.

The warranty time period for operating components including door hinges and opening devices to the original owner extends beyond the one-year term.

The warranty is void in the event the product is damaged in transit, or if damage or failure is caused by abuse, misuse, abnormal usage, faulty installation, damage in an accident, improper maintenance, or any repairs other than those authorized by Robern. At the expiration of the one-year warranty period, Robern shall be under no further obligation under any warranty, expressed or implied, including the implied warranty of merchantability.

Robern shall not be liable for any consequential damages arising out of or in connection with the use or performance of its products. Some states do not allow limitations on how long an implied warranty lasts or do not allow the exclusion or limitation of incidental or consequential damages, so the above limitation or exclusion may not apply to you.

Any liability against Robern under any implied warranty, including the warranty of merchantability, is expressly limited to the terms of this warranty.

Permission to return any merchandise under this warranty must be authorized by Robern and returned prepaid by the purchaser.

Claims under this warranty should be sent directly to your dealer.

Terms and Conditions

Conditions of Purchase

Robern products are built to order. Products shipped and received in accordance with customers' accepted orders are non-refundable. Certain products are non-cancelable once orders are processed:

- All Frames:
 - Main Line mirrors and cabinets
 - Profiles® mirrors and cabinets
 - Sculpt® lighted mirrors
- Essentials Palette (Stock Colors), Classic Palette and Inspire Palette (Special Order Colors):
 - Vanities, M Series Decorative Cabinets, Surface-Mount Kits and Side Kits
- Curated Cartesian® Vanities
- Engineered Stone Tops
- Purchase orders cannot be adjusted after 48 hours

Payment Terms

- Payment Terms: Net 30 days.
- Free Freight Allowed on Dealer orders greater than \$1500 net.
- Free Freight Allowed on Distributor orders greater than \$8000 net.

Care and Cleaning

How to Clean:

Robern products are constructed of mirrored glass and aluminum. A 50/50 solution of water and isopropyl alcohol is recommended for cleaning the mirrors. Ammonia or vinegar-based cleaners can damage mirrors. A mild detergent may be used on the surfaces. Do not use abrasive cleansers on any part of the cabinet. Use only a soft damp cloth to clean. When cleaning, spray the cloth, not the cabinet, mirror or surrounding surfaces.

Warranty Request Form

Robern Customer Service

701 North Wilson Avenue
Bristol, PA 19007

Email: reference page 21
Phone: 800-877-2376

Registered Robern Dealers and Distributors may request service parts for damaged or defective product using this warranty request form.

- Forms received after 5PM (EST) will be processed on the following business day.
- Warranty parts generally ship within 7 days of order entry.
- Robern Customer Service will email an order confirmation when the order is entered.

We appreciate your business and apologize for any inconvenience this situation may have caused.

Dealer Information

Date: _____
Company Name: _____
Contact Name: _____
Phone Number: _____
Email: _____

Product Information

Please include as much information about the product as possible. Items with an asterisk (*) are required. If required information is missing, this form will be rejected and returned to the sender.

*Model Number: _____
*Robern's PO Number: _____
*Invoice Number: _____
*Description of missing or damaged part: _____
If item is shipping to an end consumer, serial number is required to process: _____

Ship-To Information

If the ship-to address for the warranty parts order is different than that of the original order, please provide the information below.

Complete Name: _____
Street Address: _____
City, State, Zip Code: _____
Contact Phone Number: _____
Contact Email Address: _____

Confirmation Information

Robern Customer Service will provide an order confirmation to the contact information listed below.

Email: _____

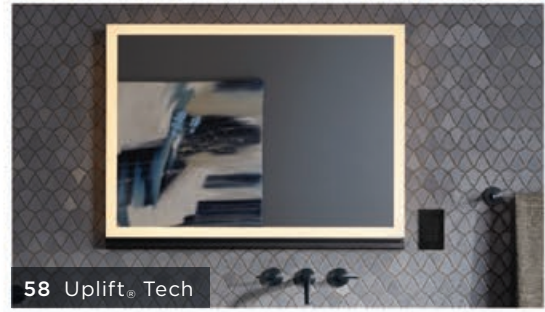


MEDICINE CABINETS

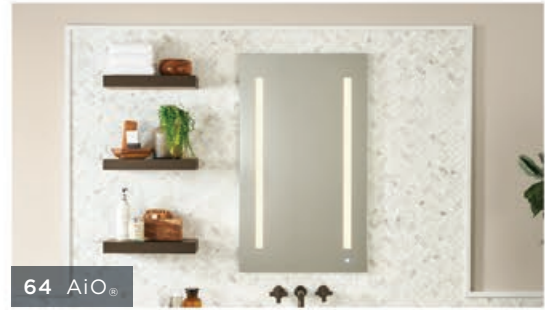
PL PORTRAY™	38	M Series	96
Uplift® Tech	58	Main Line	120
AiO®	64	PL Series	141
Vitality®	70	R ³ ® Series	148
Profiles®	75		



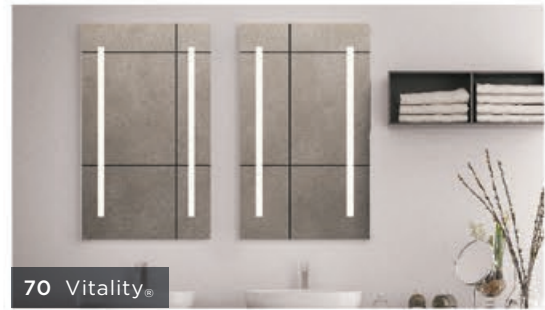
38 PL PORTRAY™ **NEW!**



58 Uplift® Tech



64 AiO®



70 Vitality®

PRICING CONTINUUM

Robern offers a range of medicine cabinets in varying price points to meet your needs.

Prices noted below are opening price points.



R³® Series
\$279



NEW!
PL PORTRAY
\$449



PL Series
\$549



Main Line
\$799



M Series
\$879



75 Profiles®



96 Main Line



96 M Series



141 PL Series



148 R³ Series



Profiles
\$1,179



Vitality®
\$1,249



AiO®
\$2,099



Uplift® Tech
\$2,099

PRODUCT COMPARISON GUIDE / MEDICINE CABINETS

	PL PORTRAY™	UPLIFT® TECH	AiO®	VITALITY®	PROFILES®	M SERIES	MAIN LINE	PL SERIES	R²® SERIES
AVAILABLE FEATURES									
Dimmable LED via Capacitive Touch (LUM®)			●						
Dimmable LED via Third Party Control	With Modular Lighting	●		●	With Modular Lighting	With Modular Lighting		With Modular Lighting	
Tunable LED (2700K-5600K and 3000K-4000K options)	With Modular Lighting				With Modular Lighting	With Modular Lighting		With Modular Lighting	
Audio (OM®)/ Bluetooth			●						
Defogger		●				●			
Electrical Outlet	●	●	●	●	●	●	●	●	
Integrated Lighting		●	●	●					
Interior Lighting	●	●	●			●			
Magnetic	●		●		●	●			
Magnification Mirror Included	●		●						
Modular	●	●	●	●	●	●		●	
Night Light		●	●			●			
Slow-Close	●								●
USB Charging	●	●	●		●	●			

	PL PORTRAY™	UPLIFT® TECH	AiO®	VITALITY®	PROFILES®	M SERIES	MAIN LINE	PL SERIES	R³® SERIES
CONFIGURABLE ATTRIBUTES									
Polished Edge	●					●		●	●
Bevel Edge	●					●		●	●
Non-Electric	●	●			●	●	●	●	●
Electric	●	●	●	●	●	●	●	●	
2700 Kelvin Temperature		●	●						
3000 Kelvin Temperature				●					
4000 Kelvin Temperature			●						
Left Hinge			●	●	●	●	●	●	
Right Hinge			●	●	●	●	●	●	
Reversible Hinge (Non-Handed)	●				●		●	●	●
Recessed	●	●	●	●	●	●	●	●	●
Semi-Recessed		●			●	●	●		
Surface-Mount	●	●	●	●	●	●	●	●	●
DECORATIVE COLORS									
Decorative Glass for Full Length Cabinets						●			

PRODUCT COMPARISON GUIDE / MEDICINE CABINETS

	PL PORTRAY™	UPLIFT® TECH	AiO®	VITALITY®	PROFILES®	M SERIES	MAIN LINE	PL SERIES	R²® SERIES
METAL FINISHES									
Chrome		•			•		•		
Polished Nickel		•			•		•		
Matte Gold		•			•				
Matte Black		•			•				
Satin Nickel							•		
Brushed Nickel							•		
Brushed Black							•		
Brushed Bronze							•		
STYLES									
Single Door	•	•	•	•	•	•	•	•	•
Two Door			•						
Three Door								•	
Flat Top	•	•	•	•	•	•	•	•	•
Arch Top						•			
Full Length	•					•			
CERTIFICATIONS & CODE COMPLIANCE									
UL/ETL	•	•	•	•	•	•	•	•	N/A

	PL PORTRAY™	UPLIFT® TECH	AiO®	VITALITY®	PROFILES®	M SERIES	MAIN LINE	PL SERIES	R²® SERIES
ADD-ON ACCESSORIES									
IQ™ Digital Lock Box	•	•	•	•	•	•	•	•	•
Magnification Mirrors									
Entice®			•			•			
Compact			•			•			
Pull-Out			•	•	•	•	•	•	
Swing-Out			•	•	•	•	•	•	
Freestanding	•	•	•	•	•	•	•	•	•
Wall-Mount	•	•	•	•	•	•	•	•	•
PORTRAY Electric Upgrade	•								
PORTRAY Quick Caddy	•								
Handle Kits									
Handle		•	•	•		•		•	
Push-to-Open Mechanism			•	•	•	•	•	•	
Glass Bins	•	•	•	•	•	•	•	•	•
Organizational Accessories									
Razor/Phone Holder			•	•	•	•			
3" Tray			•	•	•	•			
5" Tray			•	•	•	•			
Ganging Kit	•	•	•	•	•	•		•	
Stacking Kit					•	•		•	
Side Kits	•	•	•	•	•	•	•	•	•
Top & Bottom Kits		•	•	•	•	•	•	•	

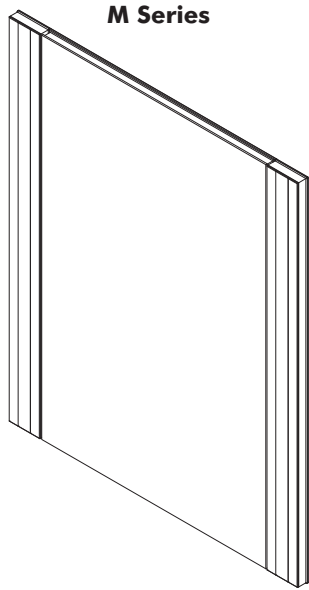
WHAT'S NEW / PL PORTRAY™ MEDICINE CABINET



IMPROVING UPON PERFECTION

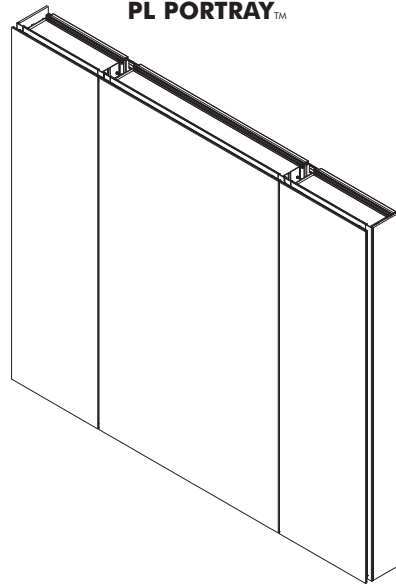
PL PORTRAY updates the original PL Series cabinet with features and functionality that meet modern-day needs. From slow-close doors to USB charging ports, every feature of PL PORTRAY was thoughtfully engineered to elevate your daily routine.

Cabinet Ganging Reference



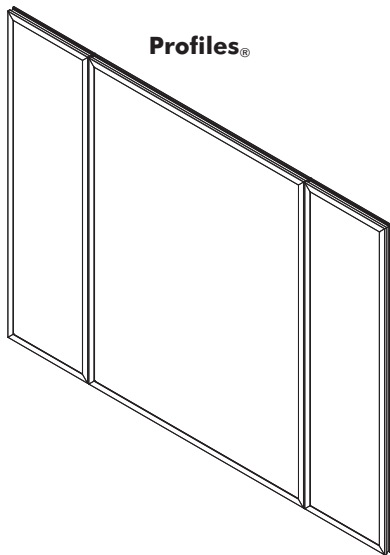
M Series

25-1/2" W x 30" H Recessed Installation
 Light | Cabinet | Light
 (2) GLB30MLSS3D – Vesper™ Midline Lighting
 (1) MC2030D4FPLE2



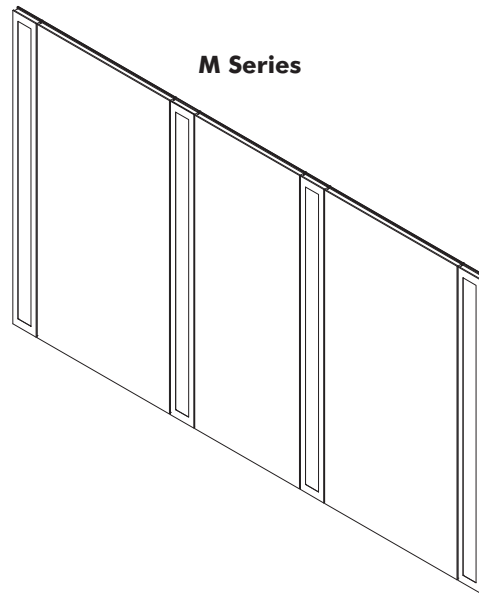
PL PORTRAY™

48" W x 36" H Surface-Mount Installation
 Cabinet | Cabinet | Cabinet
 (2) P2C1236D4FPSC
 (1) P2C2436D4FPFT
 (1) P2SM-GKIT36D4P



Profiles®

54" W x 40" H Recessed Installation
 Cabinet | Mirror | Cabinet
 (1) PC1240D4TLE76
 (1) PC1240D4TRE76
 1) PM3040T76
 (1) PMGKIT3040



M Series

70" W x 40" H Recessed Installation
 Light | Cabinet | Light | Cabinet | Light | Cabinet | Light
 (4) ML3.540ILSFMRDV – Inline Lighting
 (1) MC2040D4FPRE4
 (1) MC1640D4FPRE4
 (1) MC2040D4FPLE4
 (1) MGKIT

For more guidance on our modular solutions, visit robern.com/modularity.

PL PORTRAY™ Cabinets – Table of Contents

NEW!

PL PORTRAY Cabinets – Tips & Features	39 – 40
PL PORTRAY Cabinet Worksheet	41
20" & 26" High Cabinets	42 – 43
16" Wide	42 – 43
30" High Cabinets	44 – 47
12" & 16" Wide	44 – 45
20" & 24" Wide	46 – 47
36" High Cabinets	48 – 51
12" & 16" Wide	48 – 49
20" & 24" Wide	50 – 51
40" High Cabinets	52 – 55
12" & 16" Wide	52 – 53
20" & 24" Wide	54 – 55
72" High Cabinets	56 – 57
16", 20" & 24" Wide	56 – 57
Lighting Options	160 – 175
Cabinet Accessories	293 – 299
Cabinet Ganging Reference	37



Dimensions & Weight

- Dimensions (W x H):
 - 11-1/4" x 30" (286 mm x 762 mm)
 - 11-1/4" x 36" (286 mm x 914 mm)
 - 11-1/4" x 39-3/8" (286 mm x 1000 mm)
 - 15-1/4" x 20" (387 mm x 508 mm)
 - 15-1/4" x 26" (387 mm x 660 mm)
 - 15-1/4" x 30" (387 mm x 762 mm)
 - 15-1/4" x 36" (387 mm x 914 mm)
 - 15-1/4" x 39-3/8" (387 mm x 1000 mm)
 - 15-1/4" x 72" (387 mm x 1829 mm)
 - 19-1/4" x 30" (489 mm x 762 mm)
 - 19-1/4" x 36" (489 mm x 914 mm)
 - 19-1/4" x 39-3/8" (489 mm x 1000 mm)
 - 19-1/4" x 72" (489 mm x 1829 mm)
 - 23-1/4" x 30" (591 mm x 762 mm)
 - 23-1/4" x 36" (591 mm x 914 mm)
 - 23-1/4" x 39-3/8" (591 mm x 1000 mm)
 - 23-1/4" x 72" (591 mm x 1829 mm)
- Depth: 4" (102 mm)
- Net Weight: 26 – 147 lbs

Configurable Options

- Edge Type: Polished Edge or Bevel Edge
- Upgrade Options (*all are reversible hinge*):
 - No Upgrade (BA)
 - Slow-Close Upgrade (SC): Slow-Close Hinge
 - Magnification Mirror Upgrade (MM): Slow-Close Hinge, Sliding Magnification Mirror
 - Storage Upgrade (FS): Slow-Close Hinge, Sliding Magnification Mirror, Quick Caddy
 - Electric Upgrade (TU): Slow-Close Hinge, Magnetic Strip, Interior Lighting, USB Charging Ports, Electrical Outlets with Phone Holder
 - Storage & Electric Upgrade (FT): Slow-Close Hinge, Sliding Magnification Mirror, Quick Caddy, Magnetic Strip, Interior Lighting, USB Charging Ports, Electrical Outlets with Phone Holder

Features & Benefits

- Choose from upgrade options that range from simple and affordable to feature-rich solutions
- Cantilever Shelves feature hidden adjustment holes for an easy to adjust, clean and custom-built appearance
- Slow-close hinges prevent slamming, reduce wear and tear on your cabinet, and ensure a soft closure every time
- Accessories designed in a complementary color to match interior and coordinate together for optimal storage and functionality solutions

Features & Benefits (Continued)

- Power when and where you need it most with PORTRAY Electric Upgrade, featuring two USB charging ports (total output 4.2 A, 5V) and one 15A, 120VAC tamper resistant outlet (2 plugs), to provide power for items such as electric razors and curling irons. Location of USB charging ports and outlet is customer configurable (left or right side of accessory)
- Interior cabinet light turns on when the door is open and off when it is closed, making it easy to find items even when your room is dark. The sensor controlled, low wattage interior LED light is available with the PORTRAY Electric Upgrade and features a soft white (3000K) for a relaxing tone
- Phone holder is available on the front of the PORTRAY Electric Upgrade by providing a shelf to house the phone while plugged into the USB charging port
- Magnetic Storage area on the PORTRAY Electric Upgrade allows for convenient access to small metal implements and to simplify your daily routine with quick access. Location of magnetic storage is customer configurable (left or right side of accessory)
- PORTRAY Sliding Magnification Mirror with 5X magnification to help with those up-close details is integrated in the door, creating a seamless design that allows for ergonomic vertical adjusting. This 6-7/8" diameter round magnification mirror pivots to bring the mirror to your face for ease of use and provides additional ergonomics to allow for mirror movement without smudging the mirror (two hands needed to adjust)
- PORTRAY Quick Caddy features five (5) divided sections – ideal for holding smaller items such as cotton swabs, makeup and makeup brushes – creating a functional accessory that eliminates clutter inside the medicine cabinet and on countertops. This accessory holder pivots to swing outside of the cabinet for access when the medicine cabinet is closed. The bin of three (3) dividers is removable allowing you to access items anywhere and for ease of cleaning
- Designed to seamlessly fit in your cabinet, the optional IQ™ Digital Lock Box features improved technology to keep your most important items secure. With key code entry, remote access, and tamper notifications via smartphone, you will have total control over your personal items
- Customize around your own needs with a modular design that is intentionally flexible by nature. Install as a single unit, pair cabinets or mirrors together for a multi-product installation or pair with modular lighting for a task lighting and storage solution
- Cabinets can be ganged with AiO® Cabinet, Vesper™ Lighting, InLine Lighting, M Series Cabinet, PL Series Cabinet and Vitality® Cabinet



Features & Benefits (Continued)

- Incorporate the benefits of a Full Length mirror into your space with the 72" H cabinet featuring the convenience of hidden storage
- Optional Glass Bins to store cotton balls, swabs, hair accessories and other bath necessities in non-toxic, 100% recyclable and reusable stylish canisters that offer strength, weight and compatibility for damp spaces and stand up to wear
- Ideal for ADA applications
- Constructed to operate in high humidity or damp spaces. PORTRAY Electric Upgrade is ETL Certified for damp locations to UL 962, CSA Standard C22.2, No. 68

Construction

- Durable rust-free anodized aluminum and glass construction – resists intense moisture, ensuring long-lasting beauty
- Satin anodized aluminum body with a subtle gray interior
- Concealed finger pull surrounds the door edge for ease of opening
- Bevel edge refers to a mirror with edges cut and polished to a 3/4" angle to produce a sculpted, framed look, while polished edge ensures a clean design with no sharp edges (3 mm – polished, 4 mm – bevel)
- Three-mirror design provides a mirror on the inside rear of the cabinet and both sides of the door – simplifying the daily routine by providing access to personal items with the use of the mirror at the same time
- Door opening angle 110 degrees: Blum 3-way adjustable soft-close concealed hinges with a built in feature to ease the door closed silently, while the self-closing concealed hinges have a spring built in that catch the door and pulls it closed to tell you that the door is closed
- Configure the interior of your cabinet to accommodate essential items of varying heights, from electric toothbrushes to your favorite fragrance with 1/4" (6 mm) thick adjustable clear glass shelves that can adjust in 1" (51 mm) increments: 3 shelves for 20" H, 26" H, 30" H, 4 shelves for 36" H, 40" H and 8 shelves for 72" H. Save time with setting up your cabinet by adding 2 clips per shelf
- Salt Spray Testing – ASTM Standard for 300 hours performed to test mirror quality against desilvering and degradation resulting from environmental exposure
- Cass Testing – copper test (simulate whole life of product) – accelerated age testing

Installation

- This installation may require more than one person
- Recessed or surface-mount installation
- Cabinets include hardware for recessed installation. Surface-mount installations require the purchase of a kit which includes the side kit as well as mounting hardware
- Recessed cabinets project 7/8" from wall and must be recessed no less than 3-3/4"
- All cabinets are reversible, allowing the customer to choose orientation for hinges

Accessories

- IQ™ Digital Lock Box (DLB-16, DLB-20, DLB-24)
- PORTRAY Quick Caddy (QUICKCADDY)
- PORTRAY Electric Upgrade (P2ELECTRIC)
- Glass Bins (GLASSBIN3.25, GLASSBIN5.25, GLASSBIN8.5)
- Recess-Mount Ganging Kit (P2RMGKIT, P2RMGKITFL)
- Single Cabinet Surface-Mount Side Kits (P2SMKIT__D4P)
- Multiple Cabinets Surface-Mount Ganging and Side Kits (P2SM-GKIT__D4P)
- Multiple Cabinets Surface-Mount Extender Ganging Kit (P2SMEXTENDKIT) – for installations greater than 72" W



FEATURES

Select Dimension (W x H):

- 12" x 30"
- 12" x 36"
- 12" x 40"
- 16" x 20"
- 16" x 26"
- 16" x 30"
- 16" x 36"
- 16" x 40"
- 16" x 72"
- 20" x 30"
- 20" x 36"
- 20" x 40"
- 20" x 72"
- 24" x 30"
- 24" x 36"
- 24" x 40"
- 24" x 72"

Select Depth:

- 4"

Select Mirror Style:

- Polished Edge
- Bevel Edge

Select Upgrade Option:

- No Upgrade
- Slow-Close Upgrade, Includes:
Slow-Close Hinges
- Magnification Mirror Upgrade, Includes:
Sliding Magnification Mirror
Slow-Close Hinges

- Storage Upgrade, Includes:
Sliding Magnification Mirror
Quick Caddy
Slow-Close Hinges

- Electric Upgrade, Includes:
Magnetic Strip
Interior Lighting
USB Charging Ports
Electrical Outlets with Phone Holder
Slow-Close Hinges

- Storage & Electric Upgrade, Includes:
Sliding Magnification Mirror
Quick Caddy
Magnetic Strip
Interior Lighting
USB Charging Ports
Electrical Outlets with Phone Holder
Slow-Close Hinges

MODEL

P2C

D4

- 1230*
- 1236*
- 1240*
- 1620
- 1626‡
- 1630‡
- 1636
- 1640
- 1672**
- 2030‡
- 2036
- 2040
- 2072**
- 2430‡
- 2436
- 2440‡
- 2472**

D4

FP

FB

BA

SC

MM

FS

TU

FT

Notes:

- * 12" W is not available with Magnification Mirror Upgrade, Storage Upgrade and/or Electric Upgrade.
- ** 72" H is not available with No Upgrade Option.
- ‡ IQ™ Digital Lock Box available with select models.

CUSTOMER INFORMATION

Name _____

Address _____

City/State/Zip _____

Telephone _____

Date Ordered _____

PL PORTRAY™ Cabinets – 16" W x 20" & 26" H

NEW!



Robern continues to set the standard for medicine cabinets with PL PORTRAY. Easy to choose from upgrade options ranging from simple and affordable to feature-rich solutions, PL PORTRAY offers just what you need to complete your bathroom design and transform your daily routine into something seamless, surprising, exciting even.

- Cantilever shelving features hidden adjustment holes for a clean and custom-built appearance
- Cabinets can be recessed or surface-mounted, providing flexible installation options to accommodate different wall construction types
- Combine multiple cabinets, lighting or mirrors to maximize your storage capabilities without sacrificing style



Two Week Lead Time



Modular



Electrical Outlet



USB Charging



Interior Lighting



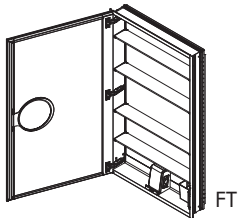
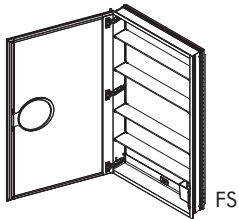
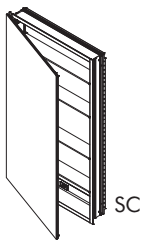
Magnetic



Magnification Mirror

16" W x 20" & 26" H Cabinets

Description	Polished Edge	Bevel Edge	Price
15-1/4" W x 20" H (RO: 14-1/2" W x 19-1/4" H x 4" D)			
No Upgrade (BA)	P2C1620D4FPBA	P2C1620D4FBBA	\$ 449.
Slow-Close Upgrade (SC)	P2C1620D4FPSC	P2C1620D4FBSC	\$ 489.
Magnification Mirror Upgrade (MM)	P2C1620D4FPMM	P2C1620D4FBMM	\$ 539.
Storage Upgrade (FS)	P2C1620D4FPFS	P2C1620D4FBFS	\$ 589.
Electric Upgrade (TU)	P2C1620D4FPTU	P2C1620D4FBTU	\$ 809.
Storage and Electric Upgrade (FT)	P2C1620D4FPFT	P2C1620D4FBFT	\$ 909.
15-1/4" W x 26" H (RO: 14-1/2" W x 25-1/4" H x 4" D)			
No Upgrade (BA)	P2C1626D4FPBA	P2C1626D4FBBA	\$ 499.
Slow-Close Upgrade (SC)	P2C1626D4FPSC	P2C1626D4FBSC	\$ 539.
Magnification Mirror Upgrade (MM)	P2C1626D4FPMM	P2C1626D4FBMM	\$ 589.
Storage Upgrade (FS)	P2C1626D4FPFS	P2C1626D4FBFS	\$ 639.
Electric Upgrade (TU)	P2C1626D4FPTU	P2C1626D4FBTU	\$ 859.
Storage and Electric Upgrade (FT)	P2C1626D4FPFT	P2C1626D4FBFT	\$ 959.
IQ™ Digital Lock Box, Storage Upgrade (FS)	QP2C1626D4FPFS	N/A	\$ 1,038.
IQ Digital Lock Box, Storage and Electric Upgrade (FT)	QP2C1626D4FPFT	N/A	\$ 1,358.



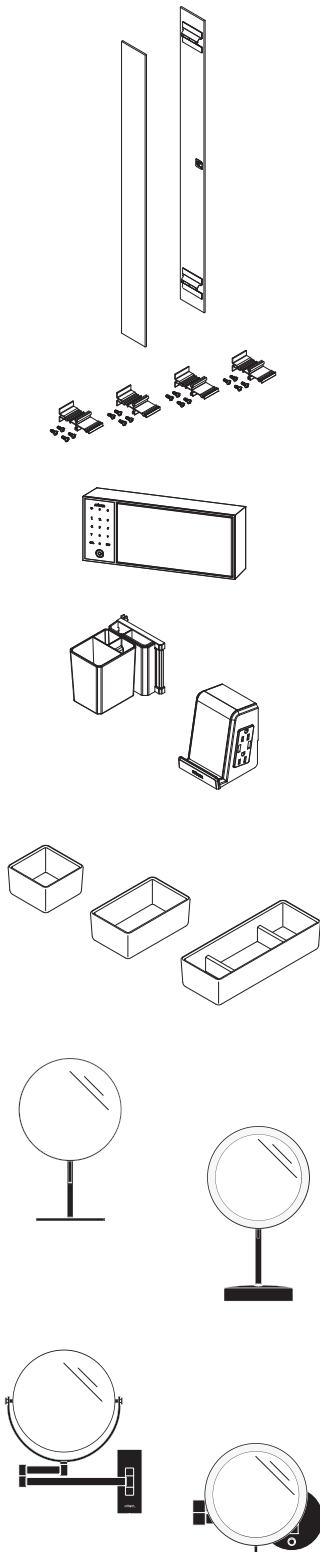
Upgrade Options Key

- P2C__BA No Upgrade
- P2C__SC Slow-Close Hinge
- P2C__MM Slow-Close Hinge, Sliding Magnification Mirror
- P2C__FS Slow-Close Hinge, Sliding Magnification Mirror, Quick Caddy
- P2C__TU Slow-Close Hinge, Magnetic Strip, Interior Lighting, USB Charging Ports, Electrical Outlets with Phone Holder
- P2C__FT Slow-Close Hinge, Sliding Magnification Mirror, Quick Caddy, Magnetic Strip, Interior Lighting, USB Charging Ports, Electrical Outlets with Phone Holder
- QP2C__FS IQ Digital Lock Box, Slow-Close Hinge, Sliding Magnification Mirror, Quick Caddy
- QP2C__FT IQ Digital Lock Box, Slow-Close Hinge, Sliding Magnification Mirror, Quick Caddy, Magnetic Strip, Interior Lighting, USB Charging Ports, Electrical Outlets with Phone Holder

See Surface-Mount Kits, Recess-Mount Kits, Accessories & Options on the following page.

PL PORTRAY™ Cabinets – 16" W x 20" & 26" H

Add-On Accessories & Options



Description	Model	Price
Single Cabinet Surface-Mount Side Kits, Polished Edge		
Quantity 1 = Pair of Mirrored Side Kits and Mounting Hardware		
Side Kit for 20" H Single Cabinet	P2SMKIT20D4P	\$ 149.
Side Kit for 26" H Single Cabinet	P2SMKIT26D4P	\$ 149.
Multiple Cabinets Surface-Mount Ganging and Side Kits, Polished Edge		
Quantity 1 = Pair of Mirrored Side Kits and Ganging/Mounting Hardware		
Ganging & Side Kit for 20" H Multiple Cabinets	P2SM-GKIT20D4P	\$ 229.
Ganging & Side Kit for 26" H Multiple Cabinets	P2SM-GKIT26D4P	\$ 229.
Multiple Cabinets Surface-Mount Extender Ganging Kit, Polished Edge		
For installations greater than 72" W	P2SMEXTENDKIT	\$ 109.
Multiple Cabinets Recess-Mount Ganging Kit		
Hardware required for installing cabinets side-by-side	P2RMGKIT	\$ 69.
IQ™ Digital Lock Box		
For use with 16" W cabinets	DLB-16	\$ 399.
PORTRAY Quick Caddy		
2-7/16" W x 3-1/2" H x 4-5/16" D	QUICKCADDY	\$ 50.
PORTRAY Electric Upgrade		
3-1/2" W x 4-15/16" H x 3-11/16" D	P2ELECTRIC	\$ 320.
Accessory Glass Bins		
Small, 3-1/4" W x 3-1/4" L	GLASSBIN3.25	\$ 49.
Medium, 3-1/4" W x 5-1/4" L	GLASSBIN5.25	\$ 49.
Large, 3-1/4" W x 8-1/2" L	GLASSBIN8.5	\$ 49.
Freestanding Magnification Mirrors		
5X Magnification, Unlit – Satin Nickel	5M0008FUUN70	\$ 199.
5X Magnification, Unlit – Chrome	5M0008FUUN76	\$ 199.
5X Magnification, Unlit – Matte Black	5M0008FUUN83	\$ 199.
5X Magnification, Unlit – Light Brushed Bronze	5M0008FUUN85	\$ 199.
5X Magnification, Lit, Selectable Light Control, Soft White (3000K) and Cool White (5000K) – Chrome	5M0008FLUT76	\$ 269.
Wall-Mount Magnification Mirrors		
1X and 7X Magnification, Unlit, Framed, Swivel Mirror – Chrome	7M0008WUFN76S	\$ 219.
5X Magnification, Lit, Selectable Light Control, Soft White (3000K) and Cool White (5000K) – Chrome	5M0008WLUT76	\$ 289.

SEE PAGES 39 – 40 FOR TIPS & FEATURES.

PL PORTRAY™ Cabinets – 12" & 16" W x 30" H

NEW!

Robern continues to set the standard for medicine cabinets with PL PORTRAY. Easy to choose from upgrade options ranging from simple and affordable to feature-rich solutions, PL PORTRAY offers just what you need to complete your bathroom design and transform your daily routine into something seamless, surprising, exciting even.

- Cantilever shelving features hidden adjustment holes for a clean and custom-built appearance
- Cabinets can be recessed or surface-mounted, providing flexible installation options to accommodate different wall construction types
- Combine multiple cabinets, lighting or mirrors to maximize your storage capabilities without sacrificing style



Two Week Lead Time



Modular



Electrical Outlet



USB Charging



Interior Lighting

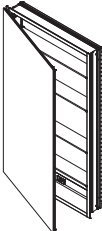
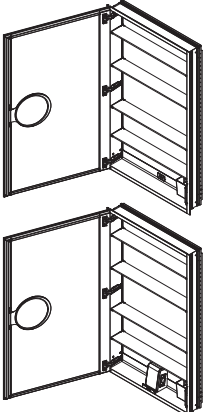


Magnetic



Magnification Mirror

12" & 16" W x 30" H Cabinets

	Description	Polished Edge	Bevel Edge	Price
	11-1/4" W x 30" H (RO: 10-1/2" W x 29-1/4" H x 4" D)			
	No Upgrade (BA)	P2C1230D4FPBA	P2C1230D4FBBA	\$ 499.
	Slow-Close Upgrade (SC)	P2C1230D4FPSC	P2C1230D4FBSC	\$ 539.
	15-1/4" W x 30" H (RO: 14-1/2" W x 29-1/4" H x 4" D)			
	No Upgrade (BA)	P2C1630D4FPBA	P2C1630D4FBBA	\$ 549.
	Slow-Close Upgrade (SC)	P2C1630D4FPSC	P2C1630D4FBSC	\$ 589.
	Magnification Mirror Upgrade (MM)	P2C1630D4FPMM	P2C1630D4FBMM	\$ 639.
	Storage Upgrade (FS)	P2C1630D4FPFS	P2C1630D4FBFS	\$ 689.
	Electric Upgrade (TU)	P2C1630D4FPTU	P2C1630D4FBTU	\$ 909.
	Storage and Electric Upgrade (FT)	P2C1630D4FPFT	P2C1630D4FBFT	\$ 1,009.
	IQ™ Digital Lock Box, Storage Upgrade (FS)	QP2C1630D4FPFS	N/A	\$ 1,088.
	IQ Digital Lock Box, Storage and Electric Upgrade (FT)	QP2C1630D4FPFT	N/A	\$ 1,408.

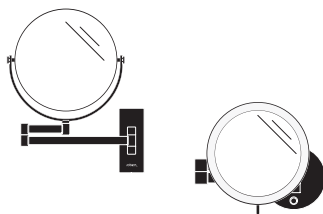
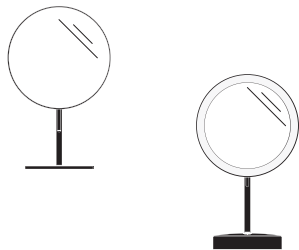
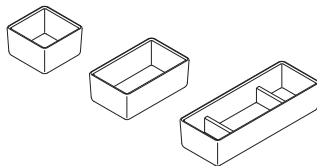
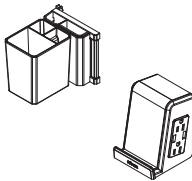
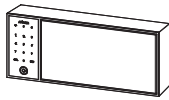
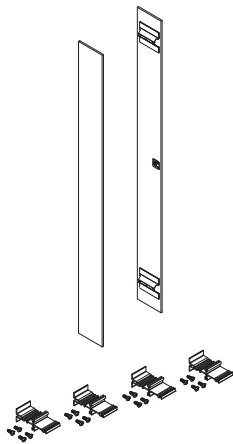
Upgrade Options Key

- P2C__BA No Upgrade
- P2C__SC Slow-Close Hinge
- P2C__MM Slow-Close Hinge, Sliding Magnification Mirror
- P2C__FS Slow-Close Hinge, Sliding Magnification Mirror, Quick Caddy
- P2C__TU Slow-Close Hinge, Magnetic Strip, Interior Lighting, USB Charging Ports, Electrical Outlets with Phone Holder
- P2C__FT Slow-Close Hinge, Sliding Magnification Mirror, Quick Caddy, Magnetic Strip, Interior Lighting, USB Charging Ports, Electrical Outlets with Phone Holder
- QP2C__FS IQ Digital Lock Box, Slow-Close Hinge, Sliding Magnification Mirror, Quick Caddy
- QP2C__FT IQ Digital Lock Box, Slow-Close Hinge, Sliding Magnification Mirror, Quick Caddy, Magnetic Strip, Interior Lighting, USB Charging Ports, Electrical Outlets with Phone Holder

See Surface-Mount Kits, Recess-Mount Kits, Accessories & Options on the following page.

PL PORTRAY™ Cabinets – 12" & 16" W x 30" H

Add-On Accessories & Options



Description	Model	Price
Single Cabinet Surface-Mount Side Kits, Polished Edge Quantity 1 = Pair of Mirrored Side Kits and Mounting Hardware		
Side Kit for 30" H Single Cabinet	P2SMKIT30D4P	\$ 149.
Multiple Cabinets Surface-Mount Ganging and Side Kits, Polished Edge Quantity 1 = Pair of Mirrored Side Kits and Ganging/Mounting Hardware		
Ganging & Side Kit for 30" H Multiple Cabinets	P2SM-GKIT30D4P	\$ 229.
Multiple Cabinets Surface-Mount Extender Ganging Kit, Polished Edge For installations greater than 72" W		
	P2SMEXTENDKIT	\$ 109.
Multiple Cabinets Recess-Mount Ganging Kit Hardware required for installing cabinets side-by-side		
	P2RMGKIT	\$ 69.
IQ™ Digital Lock Box For use with 16" W cabinets		
	DLB-16	\$ 399.
Note: Digital Lock Box not available for 12" W cabinets.		
PORTRAY Quick Caddy 2-7/16" W x 3-1/2" H x 4-5/16" D		
	QUICKCADDY	\$ 50.
PORTRAY Electric Upgrade 3-1/2" W x 4-15/16" H x 3-11/16" D		
	P2ELECTRIC	\$ 320.
Note: Electric upgrade not available for 12" W cabinets.		
Accessory Glass Bins		
Small, 3-1/4" W x 3-1/4" L	GLASSBIN3.25	\$ 49.
Medium, 3-1/4" W x 5-1/4" L	GLASSBIN5.25	\$ 49.
Large, 3-1/4" W x 8-1/2" L	GLASSBIN8.5	\$ 49.
Freestanding Magnification Mirrors		
5X Magnification, Unlit – Satin Nickel	5M0008FUUN70	\$ 199.
5X Magnification, Unlit – Chrome	5M0008FUUN76	\$ 199.
5X Magnification, Unlit – Matte Black	5M0008FUUN83	\$ 199.
5X Magnification, Unlit – Light Brushed Bronze	5M0008FUUN85	\$ 199.
5X Magnification, Lit, Selectable Light Control, Soft White (3000K) and Cool White (5000K) – Chrome	5M0008FLUT76	\$ 269.
Wall-Mount Magnification Mirrors		
1X and 7X Magnification, Unlit, Framed, Swivel Mirror – Chrome	7M0008WUFN76S	\$ 219.
5X Magnification, Lit, Selectable Light Control, Soft White (3000K) and Cool White (5000K) – Chrome	5M0008WLUT76	\$ 289.

SEE PAGES 39 – 40 FOR TIPS & FEATURES.

PL PORTRAY™ Cabinets – 20" & 24" W x 30" H

NEW!



Robern continues to set the standard for medicine cabinets with PL PORTRAY. Easy to choose from upgrade options ranging from simple and affordable to feature-rich solutions, PL PORTRAY offers just what you need to complete your bathroom design and transform your daily routine into something seamless, surprising, exciting even.

- Cantilever shelving features hidden adjustment holes for a clean and custom-built appearance
- Cabinets can be recessed or surface-mounted, providing flexible installation options to accommodate different wall construction types
- Combine multiple cabinets, lighting or mirrors to maximize your storage capabilities without sacrificing style



Two Week Lead Time



Modular



Electrical Outlet



USB Charging



Interior Lighting

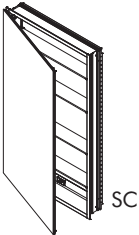
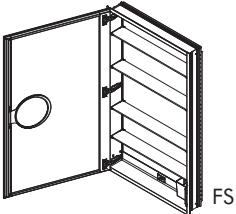


Magnetic



Magnification Mirror

20" & 24" W x 30" H Cabinets

	Description	Polished Edge	Bevel Edge	Price
	19-1/4" W x 30" H (RO: 18-1/2" W x 29-1/4" H x 4" D)			
	No Upgrade (BA)	P2C2030D4FPBA	P2C2030D4FBBA	\$ 599.
	Slow-Close Upgrade (SC)	P2C2030D4FPSC	P2C2030D4FBSC	\$ 639.
	Magnification Mirror Upgrade (MM)	P2C2030D4FPMM	P2C2030D4FBMM	\$ 689.
	Storage Upgrade (FS)	P2C2030D4FPFS	P2C2030D4FBFS	\$ 739.
	Electric Upgrade (TU)	P2C2030D4FPTU	P2C2030D4FBTU	\$ 959.
	Storage and Electric Upgrade (FT)	P2C2030D4FPFT	P2C2030D4FBFT	\$ 1,059.
	IQ™ Digital Lock Box, Storage Upgrade (FS)	QP2C2030D4FPFS	N/A	\$ 1,138.
	IQ Digital Lock Box, Storage and Electric Upgrade (FT)	QP2C2030D4FPFT	N/A	\$ 1,458.
		23-1/4" W x 30" H (RO: 22-1/2" W x 29-1/4" H x 4" D)		
No Upgrade (BA)		P2C2430D4FPBA	P2C2430D4FBBA	\$ 669.
Slow-Close Upgrade (SC)		P2C2430D4FPSC	P2C2430D4FBSC	\$ 709.
Magnification Mirror Upgrade (MM)		P2C2430D4FPMM	P2C2430D4FBMM	\$ 759.
Storage Upgrade (FS)		P2C2430D4FPFS	P2C2430D4FBFS	\$ 809.
Electric Upgrade (TU)		P2C2430D4FPTU	P2C2430D4FBTU	\$ 1,029.
Storage and Electric Upgrade (FT)		P2C2430D4FPFT	P2C2430D4FBFT	\$ 1,129.
IQ Digital Lock Box, Storage Upgrade (FS)		QP2C2430D4FPFS	N/A	\$ 1,208.
IQ Digital Lock Box, Storage and Electric Upgrade (FT)		QP2C2430D4FPFT	N/A	\$ 1,528.

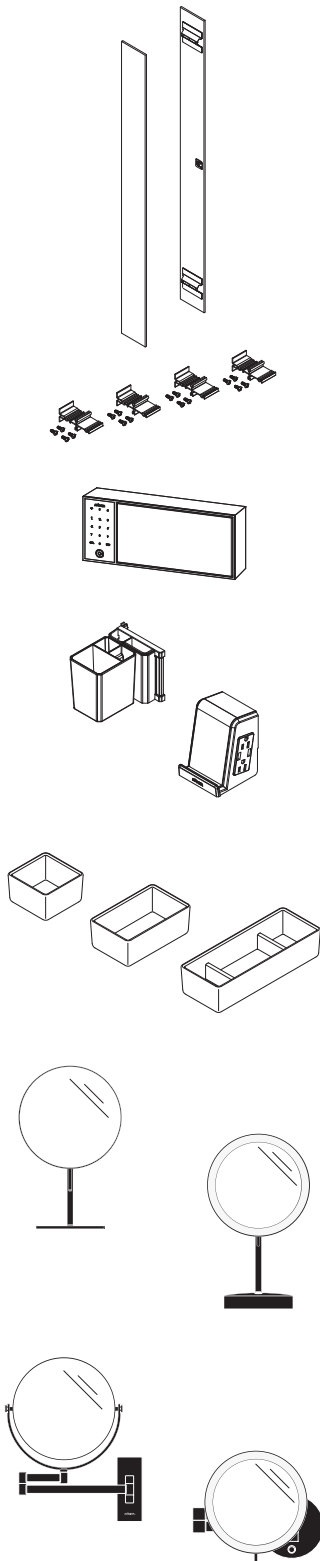
Upgrade Options Key

- P2C__BA No Upgrade
- P2C__SC Slow-Close Hinge
- P2C__MM Slow-Close Hinge, Sliding Magnification Mirror
- P2C__FS Slow-Close Hinge, Sliding Magnification Mirror, Quick Caddy
- P2C__TU Slow-Close Hinge, Magnetic Strip, Interior Lighting, USB Charging Ports, Electrical Outlets with Phone Holder
- P2C__FT Slow-Close Hinge, Sliding Magnification Mirror, Quick Caddy, Magnetic Strip, Interior Lighting, USB Charging Ports, Electrical Outlets with Phone Holder
- QP2C__FS IQ Digital Lock Box, Slow-Close Hinge, Sliding Magnification Mirror, Quick Caddy
- QP2C__FT IQ Digital Lock Box, Slow-Close Hinge, Sliding Magnification Mirror, Quick Caddy, Magnetic Strip, Interior Lighting, USB Charging Ports, Electrical Outlets with Phone Holder

See Surface-Mount Kits, Recess-Mount Kits, Accessories & Options on the following page.

PL PORTRAY™ Cabinets – 20" & 24" W x 30" H

Add-On Accessories & Options



Description	Model	Price
Single Cabinet Surface-Mount Side Kits, Polished Edge Quantity 1 = Pair of Mirrored Side Kits and Mounting Hardware		
Side Kit for 30" H Single Cabinet	P2SMKIT30D4P	\$ 149.
Multiple Cabinets Surface-Mount Ganging and Side Kits, Polished Edge Quantity 1 = Pair of Mirrored Side Kits and Ganging/Mounting Hardware		
Ganging & Side Kit for 30" H Multiple Cabinets	P2SM-GKIT30D4P	\$ 229.
Multiple Cabinets Surface-Mount Extender Ganging Kit, Polished Edge For installations greater than 72" W	P2SMEXTENDKIT	\$ 109.
Multiple Cabinets Recess-Mount Ganging Kit Hardware required for installing cabinets side-by-side	P2RMGKIT	\$ 69.
IQ™ Digital Lock Box For use with 20" W cabinets	DLB-20	\$ 399.
For use with 24" W cabinets	DLB-24	\$ 399.
PORTRAY Quick Caddy 2-7/16" W x 3-1/2" H x 4-5/16" D	QUICKCADDY	\$ 50.
PORTRAY Electric Upgrade 3-1/2" W x 4-15/16" H x 3-11/16" D	P2ELECTRIC	\$ 320.
Accessory Glass Bins Small, 3-1/4" W x 3-1/4" L	GLASSBIN3.25	\$ 49.
Medium, 3-1/4" W x 5-1/4" L	GLASSBIN5.25	\$ 49.
Large, 3-1/4" W x 8-1/2" L	GLASSBIN8.5	\$ 49.
Freestanding Magnification Mirrors 5X Magnification, Unlit – Satin Nickel	5M0008FUUN70	\$ 199.
5X Magnification, Unlit – Chrome	5M0008FUUN76	\$ 199.
5X Magnification, Unlit – Matte Black	5M0008FUUN83	\$ 199.
5X Magnification, Unlit – Light Brushed Bronze	5M0008FUUN85	\$ 199.
5X Magnification, Lit, Selectable Light Control, Soft White (3000K) and Cool White (5000K) – Chrome	5M0008FLUT76	\$ 269.
Wall-Mount Magnification Mirrors 1X and 7X Magnification, Unlit, Framed, Swivel Mirror – Chrome	7M0008WUFN76S	\$ 219.
5X Magnification, Lit, Selectable Light Control, Soft White (3000K) and Cool White (5000K) – Chrome	5M0008WLUT76	\$ 289.

SEE PAGES 39 – 40 FOR TIPS & FEATURES.

PL PORTRAY™ Cabinets – 12" & 16" W x 36" H

NEW!

Robern continues to set the standard for medicine cabinets with PL PORTRAY. Easy to choose from upgrade options ranging from simple and affordable to feature-rich solutions, PL PORTRAY offers just what you need to complete your bathroom design and transform your daily routine into something seamless, surprising, exciting even.

- Cantilever shelving features hidden adjustment holes for a clean and custom-built appearance
- Cabinets can be recessed or surface-mounted, providing flexible installation options to accommodate different wall construction types
- Combine multiple cabinets, lighting or mirrors to maximize your storage capabilities without sacrificing style



Two Week Lead Time



Modular



Electrical Outlet



USB Charging



Interior Lighting

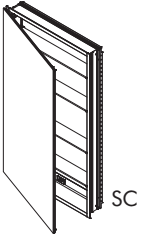
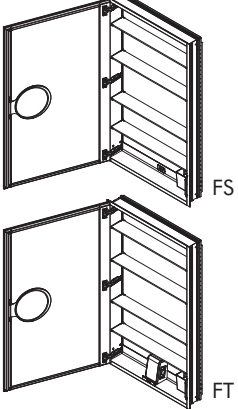


Magnetic



Magnification Mirror

12" & 16" W x 36" H Cabinets

	Description	Polished Edge	Bevel Edge	Price
	11-1/4" W x 36" H (RO: 10-1/2" W x 35-1/4" H x 4" D)			
	No Upgrade (BA)	P2C1236D4FPBA	P2C1236D4FBBA	\$ 569.
	Slow-Close Upgrade (SC)	P2C1236D4FPSC	P2C1236D4FBSC	\$ 609.
	15-1/4" W x 36" H (RO: 14-1/2" W x 35-1/4" H x 4" D)			
	No Upgrade (BA)	P2C1636D4FPBA	P2C1636D4FBBA	\$ 619.
	Slow-Close Upgrade (SC)	P2C1636D4FPSC	P2C1636D4FBSC	\$ 659.
	Magnification Mirror Upgrade (MM)	P2C1636D4FPMM	P2C1636D4FBMM	\$ 709.
	Storage Upgrade (FS)	P2C1636D4FPFS	P2C1636D4FBFS	\$ 759.
	Electric Upgrade (TU)	P2C1636D4FPTU	P2C1636D4FBTU	\$ 979.
	Storage and Electric Upgrade (FT)	P2C1636D4FPFT	P2C1636D4FBFT	\$ 1,079.

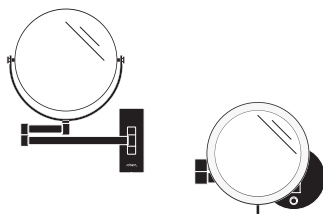
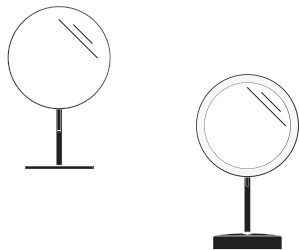
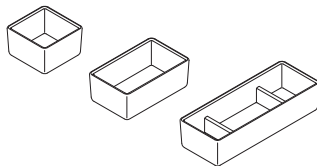
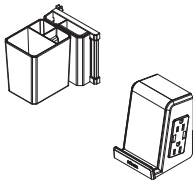
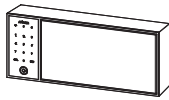
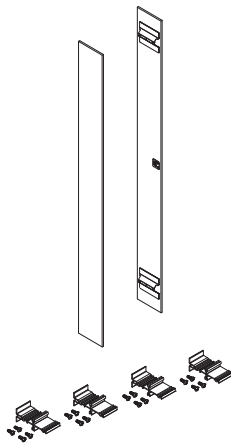
Upgrade Options Key

- P2C__BA No Upgrade
- P2C__SC Slow-Close Hinge
- P2C__MM Slow-Close Hinge, Sliding Magnification Mirror
- P2C__FS Slow-Close Hinge, Sliding Magnification Mirror, Quick Caddy
- P2C__TU Slow-Close Hinge, Magnetic Strip, Interior Lighting, USB Charging Ports, Electrical Outlets with Phone Holder
- P2C__FT Slow-Close Hinge, Sliding Magnification Mirror, Quick Caddy, Magnetic Strip, Interior Lighting, USB Charging Ports, Electrical Outlets with Phone Holder

See Surface-Mount Kits, Recess-Mount Kits, Accessories & Options on the following page.

PL PORTRAY™ Cabinets – 12" & 16" W x 36" H

Add-On Accessories & Options



Description	Model	Price
Single Cabinet Surface-Mount Side Kits, Polished Edge Quantity 1 = Pair of Mirrored Side Kits and Mounting Hardware		
Side Kit for 36" H Single Cabinet	P2SMKIT36D4P	\$ 249.
Multiple Cabinets Surface-Mount Ganging and Side Kits, Polished Edge Quantity 1 = Pair of Mirrored Side Kits and Ganging/Mounting Hardware		
Ganging & Side Kit for 36" H Multiple Cabinets	P2SM-GKIT36D4P	\$ 329.
Multiple Cabinets Surface-Mount Extender Ganging Kit, Polished Edge For installations greater than 72" W		
	P2SMEXTENDKIT	\$ 109.
Multiple Cabinets Recess-Mount Ganging Kit Hardware required for installing cabinets side-by-side		
	P2RMGKIT	\$ 69.
IQ™ Digital Lock Box For use with 16" W cabinets		
	DLB-16	\$ 399.
Note: Digital Lock Box not available for 12" W cabinets.		
PORTRAY Quick Caddy 2-7/16" W x 3-1/2" H x 4-5/16" D		
	QUICKCADDY	\$ 50.
PORTRAY Electric Upgrade 3-1/2" W x 4-15/16" H x 3-11/16" D		
	P2ELECTRIC	\$ 320.
Note: Electric upgrade not available for 12" W cabinets.		
Accessory Glass Bins		
Small, 3-1/4" W x 3-1/4" L	GLASSBIN3.25	\$ 49.
Medium, 3-1/4" W x 5-1/4" L	GLASSBIN5.25	\$ 49.
Large, 3-1/4" W x 8-1/2" L	GLASSBIN8.5	\$ 49.
Freestanding Magnification Mirrors		
5X Magnification, Unlit – Satin Nickel	5M0008FUUN70	\$ 199.
5X Magnification, Unlit – Chrome	5M0008FUUN76	\$ 199.
5X Magnification, Unlit – Matte Black	5M0008FUUN83	\$ 199.
5X Magnification, Unlit – Light Brushed Bronze	5M0008FUUN85	\$ 199.
5X Magnification, Lit, Selectable Light Control, Soft White (3000K) and Cool White (5000K) – Chrome	5M0008FLUT76	\$ 269.
Wall-Mount Magnification Mirrors		
1X and 7X Magnification, Unlit, Framed, Swivel Mirror – Chrome	7M0008WUFN76S	\$ 219.
5X Magnification, Lit, Selectable Light Control, Soft White (3000K) and Cool White (5000K) – Chrome	5M0008WLUT76	\$ 289.

SEE PAGES 39 – 40 FOR TIPS & FEATURES.

PL PORTRAY™ Cabinets – 20" & 24" W x 36" H

NEW!


Robern continues to set the standard for medicine cabinets with PL PORTRAY. Easy to choose from upgrade options ranging from simple and affordable to feature-rich solutions, PL PORTRAY offers just what you need to complete your bathroom design and transform your daily routine into something seamless, surprising, exciting even.

- Cantilever shelving features hidden adjustment holes for a clean and custom-built appearance
- Cabinets can be recessed or surface-mounted, providing flexible installation options to accommodate different wall construction types
- Combine multiple cabinets, lighting or mirrors to maximize your storage capabilities without sacrificing style



Two Week Lead Time



Modular



Electrical Outlet



USB Charging



Interior Lighting



Magnetic



Magnification Mirror

20" & 24" W x 36" H Cabinets

	Description	Polished Edge	Bevel Edge	Price
	19-1/4" W x 36" H (RO: 18-1/2" W x 35-1/4" H x 4" D)			
	No Upgrade (BA)	P2C2036D4FPBA	P2C2036D4FBBA	\$ 669.
	Slow-Close Upgrade (SC)	P2C2036D4FPSC	P2C2036D4FBSC	\$ 709.
	Magnification Mirror Upgrade (MM)	P2C2036D4FPMM	P2C2036D4FBMM	\$ 759.
	Storage Upgrade (FS)	P2C2036D4FPFS	P2C2036D4FBFS	\$ 809.
	Electric Upgrade (TU)	P2C2036D4FPTU	P2C2036D4FBTU	\$ 1,029.
	Storage and Electric Upgrade (FT)	P2C2036D4FPFT	P2C2036D4FBFT	\$ 1,129.
	23-1/4" W x 36" H (RO: 22-1/2" W x 35-1/4" H x 4" D)			
	No Upgrade (BA)	P2C2436D4FPBA	P2C2436D4FBBA	\$ 719.
	Slow-Close Upgrade (SC)	P2C2436D4FPSC	P2C2436D4FBSC	\$ 759.
	Magnification Mirror Upgrade (MM)	P2C2436D4FPMM	P2C2436D4FBMM	\$ 809.
	Storage Upgrade (FS)	P2C2436D4FPFS	P2C2436D4FBFS	\$ 859.
	Electric Upgrade (TU)	P2C2436D4FPTU	P2C2436D4FBTU	\$ 1,079.
	Storage and Electric Upgrade (FT)	P2C2436D4FPFT	P2C2436D4FBFT	\$ 1,179.

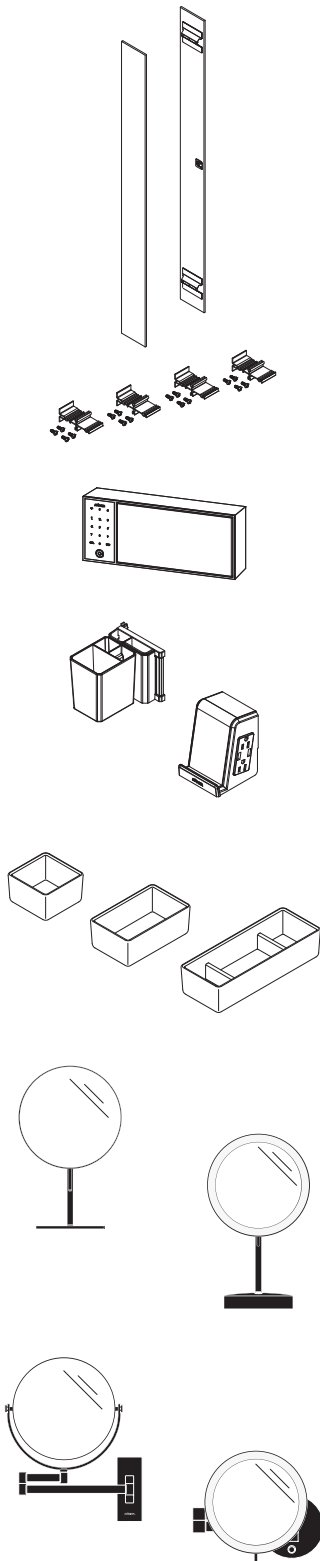
Upgrade Options Key

P2C__BA	No Upgrade
P2C__SC	Slow-Close Hinge
P2C__MM	Slow-Close Hinge, Sliding Magnification Mirror
P2C__FS	Slow-Close Hinge, Sliding Magnification Mirror, Quick Caddy
P2C__TU	Slow-Close Hinge, Magnetic Strip, Interior Lighting, USB Charging Ports, Electrical Outlets with Phone Holder
P2C__FT	Slow-Close Hinge, Sliding Magnification Mirror, Quick Caddy, Magnetic Strip, Interior Lighting, USB Charging Ports, Electrical Outlets with Phone Holder

See Surface-Mount Kits, Recess-Mount Kits, Accessories & Options on the following page.

PL PORTRAY™ Cabinets – 20" & 24" W x 36" H

Add-On Accessories & Options



Description	Model	Price
Single Cabinet Surface-Mount Side Kits, Polished Edge Quantity 1 = Pair of Mirrored Side Kits and Mounting Hardware		
Side Kit for 36" H Single Cabinet	P2SMKIT36D4P	\$ 249.
Multiple Cabinets Surface-Mount Ganging and Side Kits, Polished Edge Quantity 1 = Pair of Mirrored Side Kits and Ganging/Mounting Hardware		
Ganging & Side Kit for 36" H Multiple Cabinets	P2SM-GKIT36D4P	\$ 329.
Multiple Cabinets Surface-Mount Extender Ganging Kit, Polished Edge For installations greater than 72" W		
	P2SMEXTENDKIT	\$ 109.
Multiple Cabinets Recess-Mount Ganging Kit Hardware required for installing cabinets side-by-side		
	P2RMGKIT	\$ 69.
IQ™ Digital Lock Box For use with 20" W cabinets		
	DLB-20	\$ 399.
For use with 24" W cabinets		
	DLB-24	\$ 399.
PORTRAY Quick Caddy 2-7/16" W x 3-1/2" H x 4-5/16" D		
	QUICKCADDY	\$ 50.
PORTRAY Electric Upgrade 3-1/2" W x 4-15/16" H x 3-11/16" D		
	P2ELECTRIC	\$ 320.
Accessory Glass Bins Small, 3-1/4" W x 3-1/4" L		
	GLASSBIN3.25	\$ 49.
Medium, 3-1/4" W x 5-1/4" L		
	GLASSBIN5.25	\$ 49.
Large, 3-1/4" W x 8-1/2" L		
	GLASSBIN8.5	\$ 49.
Freestanding Magnification Mirrors 5X Magnification, Unlit – Satin Nickel		
	5M0008FUUN70	\$ 199.
5X Magnification, Unlit – Chrome		
	5M0008FUUN76	\$ 199.
5X Magnification, Unlit – Matte Black		
	5M0008FUUN83	\$ 199.
5X Magnification, Unlit – Light Brushed Bronze		
	5M0008FUUN85	\$ 199.
5X Magnification, Lit, Selectable Light Control, Soft White (3000K) and Cool White (5000K) – Chrome		
	5M0008FLUT76	\$ 269.
Wall-Mount Magnification Mirrors 1X and 7X Magnification, Unlit, Framed, Swivel Mirror – Chrome		
	7M0008WUFN76S	\$ 219.
5X Magnification, Lit, Selectable Light Control, Soft White (3000K) and Cool White (5000K) – Chrome		
	5M0008WLUT76	\$ 289.

SEE PAGES 39 – 40 FOR TIPS & FEATURES.

PL PORTRAY™ Cabinets – 12" & 16" W x 40" H

NEW!

Robern continues to set the standard for medicine cabinets with PL PORTRAY. Easy to choose from upgrade options ranging from simple and affordable to feature-rich solutions, PL PORTRAY offers just what you need to complete your bathroom design and transform your daily routine into something seamless, surprising, exciting even.

- Cantilever shelving features hidden adjustment holes for a clean and custom-built appearance
- Cabinets can be recessed or surface-mounted, providing flexible installation options to accommodate different wall construction types
- Combine multiple cabinets, lighting or mirrors to maximize your storage capabilities without sacrificing style



Two Week Lead Time



Modular



Electrical Outlet



USB Charging



Interior Lighting

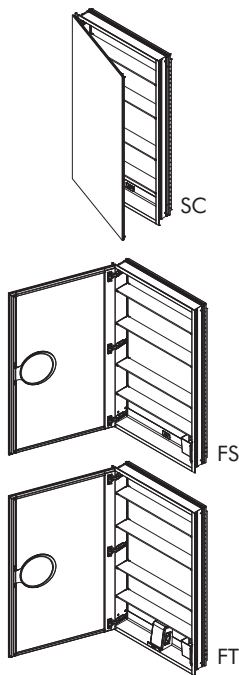


Magnetic



Magnification Mirror

12" & 16" W x 40" H Cabinets



Description	Polished Edge	Bevel Edge	Price
11-1/4" W x 39-3/8" H (RO: 10-1/2" W x 38-5/8" H x 4" D)			
No Upgrade (BA)	P2C1240D4FPBA	P2C1240D4FBBA	\$ 619.
Slow-Close Upgrade (SC)	P2C1240D4FPSC	P2C1240D4FBSC	\$ 659.
15-1/4" W x 39-3/8" H (RO: 14-1/2" W x 38-5/8" H x 4" D)			
No Upgrade (BA)	P2C1640D4FPBA	P2C1640D4FBBA	\$ 669.
Slow-Close Upgrade (SC)	P2C1640D4FPSC	P2C1640D4FBSC	\$ 709.
Magnification Mirror Upgrade (MM)	P2C1640D4FPMM	P2C1640D4FBMM	\$ 759.
Storage Upgrade (FS)	P2C1640D4FPFS	P2C1640D4FBFS	\$ 809.
Electric Upgrade (TU)	P2C1640D4FPTU	P2C1640D4FBTU	\$ 1,029.
Storage and Electric Upgrade (FT)	P2C1640D4FPFT	P2C1640D4FBFT	\$ 1,129.

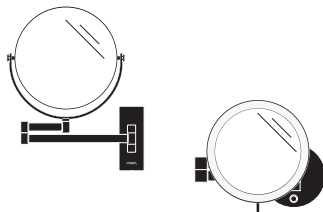
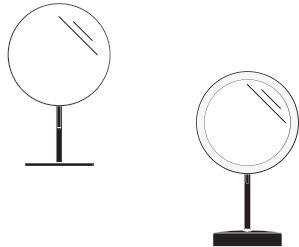
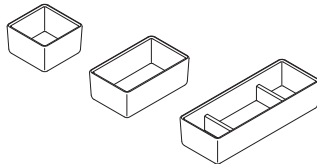
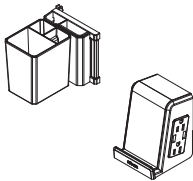
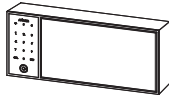
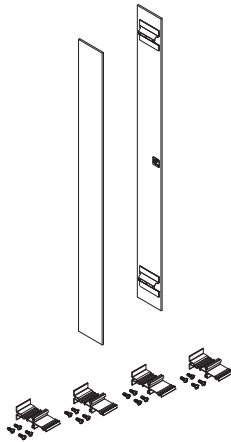
Upgrade Options Key

- P2C__BA No Upgrade
- P2C__SC Slow-Close Hinge
- P2C__MM Slow-Close Hinge, Sliding Magnification Mirror
- P2C__FS Slow-Close Hinge, Sliding Magnification Mirror, Quick Caddy
- P2C__TU Slow-Close Hinge, Magnetic Strip, Interior Lighting, USB Charging Ports, Electrical Outlets with Phone Holder
- P2C__FT Slow-Close Hinge, Sliding Magnification Mirror, Quick Caddy, Magnetic Strip, Interior Lighting, USB Charging Ports, Electrical Outlets with Phone Holder

See Surface-Mount Kits, Recess-Mount Kits, Accessories & Options on the following page.

PL PORTRAY™ Cabinets – 12" & 16" W x 40" H

Add-On Accessories & Options



Description	Model	Price
Single Cabinet Surface-Mount Side Kits, Polished Edge Quantity 1 = Pair of Mirrored Side Kits and Mounting Hardware		
Side Kit for 40" H Single Cabinet	P2SMKIT40D4P	\$ 249.
Multiple Cabinets Surface-Mount Ganging and Side Kits, Polished Edge Quantity 1 = Pair of Mirrored Side Kits and Ganging/Mounting Hardware		
Ganging & Side Kit for 40" H Multiple Cabinets	P2SM-GKIT40D4P	\$ 329.
Multiple Cabinets Surface-Mount Extender Ganging Kit, Polished Edge For installations greater than 72" W		
	P2SMEXTENDKIT	\$ 109.
Multiple Cabinets Recess-Mount Ganging Kit Hardware required for installing cabinets side-by-side		
	P2RMGKIT	\$ 69.
IQ™ Digital Lock Box For use with 16" W cabinets		
	DLB-16	\$ 399.
Note: Digital Lock Box not available for 12" W cabinets.		
PORTRAY Quick Caddy 2-7/16" W x 3-1/2" H x 4-5/16" D		
	QUICKCADDY	\$ 50.
PORTRAY Electric Upgrade 3-1/2" W x 4-15/16" H x 3-11/16" D		
	P2ELECTRIC	\$ 320.
Note: Electric upgrade not available for 12" W cabinets.		
Accessory Glass Bins		
Small, 3-1/4" W x 3-1/4" L	GLASSBIN3.25	\$ 49.
Medium, 3-1/4" W x 5-1/4" L	GLASSBIN5.25	\$ 49.
Large, 3-1/4" W x 8-1/2" L	GLASSBIN8.5	\$ 49.
Freestanding Magnification Mirrors		
5X Magnification, Unlit – Satin Nickel	5M0008FUUN70	\$ 199.
5X Magnification, Unlit – Chrome	5M0008FUUN76	\$ 199.
5X Magnification, Unlit – Matte Black	5M0008FUUN83	\$ 199.
5X Magnification, Unlit – Light Brushed Bronze	5M0008FUUN85	\$ 199.
5X Magnification, Lit, Selectable Light Control, Soft White (3000K) and Cool White (5000K) – Chrome	5M0008FLUT76	\$ 269.
Wall-Mount Magnification Mirrors		
1X and 7X Magnification, Unlit, Framed, Swivel Mirror – Chrome	7M0008WUFN76S	\$ 219.
5X Magnification, Lit, Selectable Light Control, Soft White (3000K) and Cool White (5000K) – Chrome	5M0008WLUT76	\$ 289.

SEE PAGES 39 – 40 FOR TIPS & FEATURES.

PL PORTRAY™ Cabinets – 20" & 24" W x 40" H

NEW!



Robern continues to set the standard for medicine cabinets with PL PORTRAY. Easy to choose from upgrade options ranging from simple and affordable to feature-rich solutions, PL PORTRAY offers just what you need to complete your bathroom design and transform your daily routine into something seamless, surprising, exciting even.

- Cantilever shelving features hidden adjustment holes for a clean and custom-built appearance
- Cabinets can be recessed or surface-mounted, providing flexible installation options to accommodate different wall construction types
- Combine multiple cabinets, lighting or mirrors to maximize your storage capabilities without sacrificing style



Two Week Lead Time



Modular



Electrical Outlet



USB Charging



Interior Lighting



Magnetic



Magnification Mirror

20" & 24" W x 40" H Cabinets

	Description	Polished Edge	Bevel Edge	Price
 	19-1/4" W x 39-3/8" H (RO: 18-1/2" W x 38-5/8" H x 4" D)			
	No Upgrade (BA)	P2C2040D4FPBA	P2C2040D4FBBA	\$ 719.
	Slow-Close Upgrade (SC)	P2C2040D4FPSC	P2C2040D4FBSC	\$ 759.
	Magnification Mirror Upgrade (MM)	P2C2040D4FPMM	P2C2040D4FBMM	\$ 809.
	Storage Upgrade (FS)	P2C2040D4FPFS	P2C2040D4FBFS	\$ 859.
	Electric Upgrade (TU)	P2C2040D4FPTU	P2C2040D4FBTU	\$ 1,079.
	Storage and Electric Upgrade (FT)	P2C2040D4FPFT	P2C2040D4FBFT	\$ 1,179.
	23-1/4" W x 39-3/8" H (RO: 22-1/2" W x 38-5/8" H x 4" D)			
	No Upgrade (BA)	P2C2440D4FPBA	P2C2440D4FBBA	\$ 769.
	Slow-Close Upgrade (SC)	P2C2440D4FPSC	P2C2440D4FBSC	\$ 809.
	Magnification Mirror Upgrade (MM)	P2C2440D4FPMM	P2C2440D4FBMM	\$ 859.
	Storage Upgrade (FS)	P2C2440D4FPFS	P2C2440D4FBFS	\$ 909.
	Electric Upgrade (TU)	P2C2440D4FPTU	P2C2440D4FBTU	\$ 1,129.
	Storage and Electric Upgrade (FT)	P2C2440D4FPFT	P2C2440D4FBFT	\$ 1,229.
	IQ™ Digital Lock Box, Storage Upgrade (FS)	QP2C2440D4FPFS	N/A	\$ 1,308.
IQ Digital Lock Box, Storage and Electric Upgrade (FT)	QP2C2440D4FPFT	N/A	\$ 1,628.	

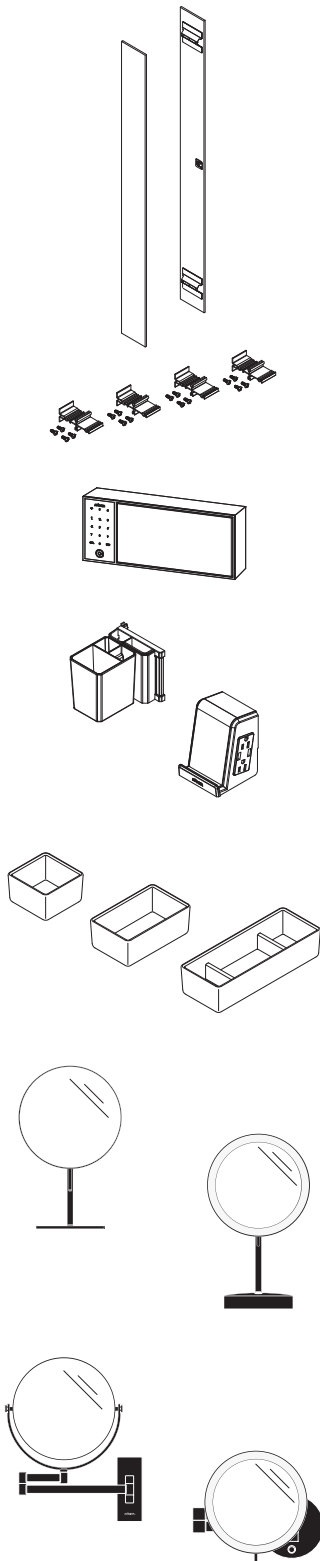
Upgrade Options Key

- P2C__BA No Upgrade
- P2C__SC Slow-Close Hinge
- P2C__MM Slow-Close Hinge, Sliding Magnification Mirror
- P2C__FS Slow-Close Hinge, Sliding Magnification Mirror, Quick Caddy
- P2C__TU Slow-Close Hinge, Magnetic Strip, Interior Lighting, USB Charging Ports, Electrical Outlets with Phone Holder
- P2C__FT Slow-Close Hinge, Sliding Magnification Mirror, Quick Caddy, Magnetic Strip, Interior Lighting, USB Charging Ports, Electrical Outlets with Phone Holder
- QP2C__FS IQ Digital Lock Box, Slow-Close Hinge, Sliding Magnification Mirror, Quick Caddy
- QP2C__FT IQ Digital Lock Box, Slow-Close Hinge, Sliding Magnification Mirror, Quick Caddy, Magnetic Strip, Interior Lighting, USB Charging Ports, Electrical Outlets with Phone Holder

See Surface-Mount Kits, Recess-Mount Kits, Accessories & Options on the following page.

PL PORTRAY™ Cabinets – 20" & 24" W x 40" H

Add-On Accessories & Options



Description	Model	Price
Single Cabinet Surface-Mount Side Kits, Polished Edge Quantity 1 = Pair of Mirrored Side Kits and Mounting Hardware		
Side Kit for 40" H Single Cabinet	P2SMKIT40D4P	\$ 249.
Multiple Cabinets Surface-Mount Ganging and Side Kits, Polished Edge Quantity 1 = Pair of Mirrored Side Kits and Ganging/Mounting Hardware		
Ganging & Side Kit for 40" H Multiple Cabinets	P2SM-GKIT40D4P	\$ 329.
Multiple Cabinets Surface-Mount Extender Ganging Kit, Polished Edge For installations greater than 72" W	P2SMEXTENDKIT	\$ 109.
Multiple Cabinets Recess-Mount Ganging Kit Hardware required for installing cabinets side-by-side	P2RMGKIT	\$ 69.
IQ™ Digital Lock Box For use with 20" W cabinets	DLB-20	\$ 399.
For use with 24" W cabinets	DLB-24	\$ 399.
PORTRAY Quick Caddy 2-7/16" W x 3-1/2" H x 4-5/16" D	QUICKCADDY	\$ 50.
PORTRAY Electric Upgrade 3-1/2" W x 4-15/16" H x 3-11/16" D	P2ELECTRIC	\$ 320.
Accessory Glass Bins Small, 3-1/4" W x 3-1/4" L	GLASSBIN3.25	\$ 49.
Medium, 3-1/4" W x 5-1/4" L	GLASSBIN5.25	\$ 49.
Large, 3-1/4" W x 8-1/2" L	GLASSBIN8.5	\$ 49.
Freestanding Magnification Mirrors 5X Magnification, Unlit – Satin Nickel	5M0008FUUN70	\$ 199.
5X Magnification, Unlit – Chrome	5M0008FUUN76	\$ 199.
5X Magnification, Unlit – Matte Black	5M0008FUUN83	\$ 199.
5X Magnification, Unlit – Light Brushed Bronze	5M0008FUUN85	\$ 199.
5X Magnification, Lit, Selectable Light Control, Soft White (3000K) and Cool White (5000K) – Chrome	5M0008FLUT76	\$ 269.
Wall-Mount Magnification Mirrors 1X and 7X Magnification, Unlit, Framed, Swivel Mirror – Chrome	7M0008WUFN76S	\$ 219.
5X Magnification, Lit, Selectable Light Control, Soft White (3000K) and Cool White (5000K) – Chrome	5M0008WLUT76	\$ 289.

SEE PAGES 39 – 40 FOR TIPS & FEATURES.

PL PORTRAY™ Cabinets – 16", 20" & 24" W x 72" H

NEW!

Robern continues to set the standard for medicine cabinets with PL PORTRAY. Easy to choose from upgrade options ranging from simple and affordable to feature-rich solutions, PL PORTRAY offers just what you need to complete your bathroom design and transform your daily routine into something seamless, surprising, exciting even.

- Cantilever shelving features hidden adjustment holes for a clean and custom-built appearance
- Cabinets can be recessed or surface-mounted, providing flexible installation options to accommodate different wall construction types
- Combine multiple cabinets, lighting or mirrors to maximize your storage capabilities without sacrificing style



Two Week Lead Time



Modular



Electrical Outlet



USB Charging



Interior Lighting

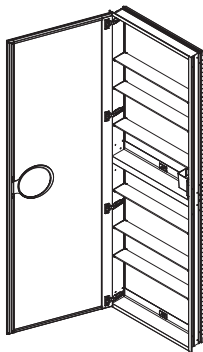


Magnetic

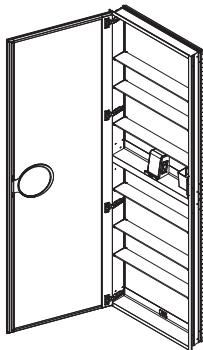


Magnification Mirror

16", 20" & 24" W x 72" H Cabinets



FS



FT

Description	Polished Edge	Bevel Edge	Price
15-1/4" W x 72" H (RO: 14-1/2" W x 71-1/4" H x 4" D)			
Slow-Close Upgrade (SC)	P2C1672D4FPSC	P2C1672D4FBSC	\$ 2,099.
Magnification Mirror Upgrade (MM)	P2C1672D4FPMM	P2C1672D4FBMM	\$ 2,149.
Storage Upgrade (FS)	P2C1672D4FPFS	P2C1672D4FBFS	\$ 2,199.
Electric Upgrade (TU)	P2C1672D4FPTU	P2C1672D4FBTU	\$ 2,419.
Storage and Electric Upgrade (FT)	P2C1672D4FPFT	P2C1672D4FBFT	\$ 2,519.
19-1/4" W x 72" H (RO: 18-1/2" W x 71-1/4" H x 4" D)			
Slow-Close Upgrade (SC)	P2C2072D4FPSC	P2C2072D4FBSC	\$ 2,349.
Magnification Mirror Upgrade (MM)	P2C2072D4FPMM	P2C2072D4FBMM	\$ 2,399.
Storage Upgrade (FS)	P2C2072D4FPFS	P2C2072D4FBFS	\$ 2,449.
Electric Upgrade (TU)	P2C2072D4FPTU	P2C2072D4FBTU	\$ 2,669.
Storage and Electric Upgrade (FT)	P2C2072D4FPFT	P2C2072D4FBFT	\$ 2,769.
23-1/4" W x 72" H (RO: 22-1/2" W x 71-1/4" H x 4" D)			
Slow-Close Upgrade (SC)	P2C2472D4FPSC	P2C2472D4FBSC	\$ 2,599.
Magnification Mirror Upgrade (MM)	P2C2472D4FPMM	P2C2472D4FBMM	\$ 2,649.
Storage Upgrade (FS)	P2C2472D4FPFS	P2C2472D4FBFS	\$ 2,699.
Electric Upgrade (TU)	P2C2472D4FPTU	P2C2472D4FBTU	\$ 2,919.
Storage and Electric Upgrade (FT)	P2C2472D4FPFT	P2C2472D4FBFT	\$ 3,019.

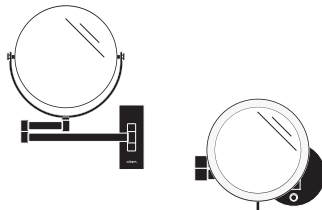
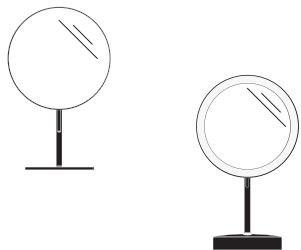
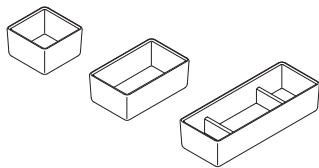
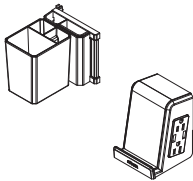
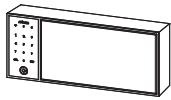
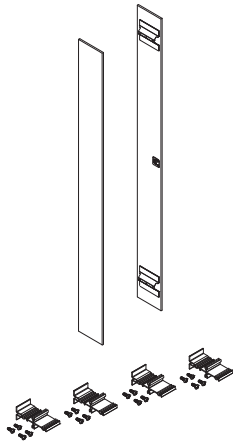
Upgrade Options Key

- P2C__SC Slow-Close Hinge
- P2C__MM Slow-Close Hinge, Sliding Magnification Mirror
- P2C__FS Slow-Close Hinge, Sliding Magnification Mirror, Quick Caddy
- P2C__TU Slow-Close Hinge, Magnetic Strip, Interior Lighting, USB Charging Ports, Electrical Outlets with Phone Holder
- P2C__FT Slow-Close Hinge, Sliding Magnification Mirror, Quick Caddy, Magnetic Strip, Interior Lighting, USB Charging Ports, Electrical Outlets with Phone Holder

See Surface-Mount Kits, Recess-Mount Kits, Accessories & Options on the following page.

PL PORTRAY™ Cabinets – 16", 20" & 24" W x 72" H

Add-On Accessories & Options



Description

Model

Price

Single Cabinet Surface-Mount Side Kits, Polished Edge

Quantity 1 = Pair of Mirrored Side Kits and Mounting Hardware

Side Kit for 72" H Single Cabinet P2SMKIT72D4P \$ 499.

Multiple Cabinets Surface-Mount Ganging and Side Kits, Polished Edge

Quantity 1 = Pair of Mirrored Side Kits and Ganging/Mounting Hardware

Ganging & Side Kit for 72" H Multiple Cabinets P2SM-GKIT72D4P \$ 629.

Multiple Cabinets Surface-Mount Extender Ganging Kit, Polished Edge

For installations greater than 72" W P2SMEXTENDKIT \$ 109.

Multiple Cabinets Recess-Mount Ganging Kit

Hardware required for installing cabinets side-by-side P2RMGKITFL \$ 109.

IQ™ Digital Lock Box

For use with 16" W cabinets DLB-16 \$ 399.

For use with 20" W cabinets DLB-20 \$ 399.

For use with 24" W cabinets DLB-24 \$ 399.

PORTRAY Quick Caddy

2-7/16" W x 3-1/2" H x 4-5/16" D QUICKCADDY \$ 50.

PORTRAY Electric Upgrade

3-1/2" W x 4-15/16" H x 3-11/16" D P2ELECTRIC \$ 320.

Accessory Glass Bins

Small, 3-1/4" W x 3-1/4" L GLASSBIN3.25 \$ 49.

Medium, 3-1/4" W x 5-1/4" L GLASSBIN5.25 \$ 49.

Large, 3-1/4" W x 8-1/2" L GLASSBIN8.5 \$ 49.

Freestanding Magnification Mirrors

5X Magnification, Unlit – Satin Nickel 5M0008FUUN70 \$ 199.

5X Magnification, Unlit – Chrome 5M0008FUUN76 \$ 199.

5X Magnification, Unlit – Matte Black 5M0008FUUN83 \$ 199.

5X Magnification, Unlit – Light Brushed Bronze 5M0008FUUN85 \$ 199.

5X Magnification, Lit, Selectable Light Control, Soft White (3000K) and Cool White (5000K) – Chrome 5M0008FLUT76 \$ 269.

Wall-Mount Magnification Mirrors

1X and 7X Magnification, Unlit, Framed, Swivel Mirror – Chrome 7M0008WUFN76S \$ 219.

5X Magnification, Lit, Selectable Light Control, Soft White (3000K) and Cool White (5000K) – Chrome 5M0008WLUT76 \$ 289.

SEE PAGES 39 – 40 FOR TIPS & FEATURES.

Uplift® Tech Cabinets – Table of Contents, Tips & Features

Table of Contents

Uplift Tech Tips & Features	58 – 59
Uplift Tech Cabinet Worksheet	60
Uplift Tech Cabinets	61 – 62
Uplift Accessories & Options	63
Uplift Lighting	174 – 175

Tips & Features

Dimensions & Weight

- Dimensions (W x H):
24" x 27" (610 mm x 686 mm)
30" x 27" (762 mm x 686 mm)
36" x 27" (914 mm x 686 mm)
48" x 27" (1219 mm x 686 mm)
- Depth: 6" (152 mm)
- Net Weight: 80 – 100 lbs

Configurable Options

- Styles:
Non-Lit, Perimeter Lighting, With IQ™ Digital Lock Box
- Upgrade Options:
No Upgrade
Electric Upgrade (Interior Lighting, Electrical Outlets, USB Charging Ports)
Electric+ Upgrade (Interior Lighting, Electrical Outlets, USB Charging Ports, Night Light, Defogger)
- Handle Finish Options: Anodized Aluminum, Chrome, Polished Nickel, Matte Gold, Matte Black

Features & Benefits

- Unique vertically opening, no-swing door allows for unobstructed installations
- Position-hold door-opening mechanism lets you open the door as low or as high as you need
- Aluminum handle for effortless two-finger lifting; upgrade to match or coordinate fixtures in your styling space with four popular metal frame finishes: Chrome, Polished Nickel, Matte Gold, Matte Black
- Lighted option provides soft, relaxing tones (2700K) that replicate indoor lighting
- Remarkably accurate color rendering with a CRI value of 90+ and R9 of 50+, so you can see your truest reflection

Features & Benefits (Continued)

- Light direction and output eliminate dark shadows, provides bright, even task lighting and rich, saturated tone in your reflection
- Dimmable LED task lighting to 1% lets you select the ideal brightness for any task, using a standard dimmer that works with existing wiring
- The night light provides a soft light that illuminates to help locate items in the middle of the night. Programmable night light in 12-hour increments. Press the button to turn the night light on/off without affecting the programming
- Defogging technology ensures a clear reflection. Turn on with a push of a button and built with a 45 minute timer. An LED indicator light lets you know that the defogger is turned on.
- Power when and where you need it most, the electric column features two USB charging ports and two 15A, 120VAC tamper resistant outlets (3 plugs), to provide power for items such as electric razors and curling irons
- Sensor controlled, low wattage interior LED light
- Consistent color throughout the cabinet with warm 2700K for task lighting, interior illumination and night light
- Cantilever Shelving: clean interior due to "hidden" shelf adjustments
- Dry space or wet space applications
- Able to do behind faucet installation due to vertical opening of cabinet
- Designed to seamlessly fit in your cabinet, the optional IQ Digital Lock Box features improved technology to keep your most important items secure. With key code entry, remote access, and tamper notifications via smartphone, you will have total control over your personal items **NEW!**



Tips & Features (Continued)

Features & Benefits (Continued)

- Task lighting can be operated using standard Triac/Phase-cut residential dimmers and defogger and night light can be hardwired or operated using standard switches, available separately through electrical supply and home improvements centers
- Energy efficient LEDs with an estimated life of 53,000 hours
- Constructed to operate in high humidity or damp spaces. ETL/UL Certified for damp locations to UL 962, CSA Standard C22.2, No. 250.0
- Meets ADA requirements for door opening force for sliding doors
- Installed as a single unit or ganged together for a multiple cabinet installation

Construction

- Durable rust-free anodized aluminum and glass construction – resists intense moisture, ensuring long-lasting beauty
- Satin anodized aluminum body
- Interior mirror
- 2249 cubic inches (36,847 cc) storage capacity for a 30" cabinet with split compartment for maximum flexibility
- 1/4" (6 mm) thick adjustable clear glass shelves; adjustable shelving at 1" (25 mm) increments: 6 shelves (24" W will include 3 shelves)
- Salt Spray Testing: ASTM Standard for 300 hours performed to test mirror quality against desilvering and degradation resulting from environmental exposure
- Cast Testing: copper test (simulate whole life of product) – accelerated age testing

Installation

- This installation may require more than one person
- Recessed, semi-recessed or surface-mount installation
- Cabinets include hardware for recessed installation. Surface-mount and semi-recess installations require the purchase of a kit which includes the side kit as well as mounting hardware.
- Recessed (frame and handle project 1-7/16" [37 mm]), semi-recessed 4" (102 mm) in wall (cabinet, frame and handle project 3-1/8" [79 mm]), or surface mount (cabinet, frame and handle project 7-1/8" [181 mm])
- Aluminum top and bottom kit for surface mount installations is required when top or bottom is visible
- Task Lighting/Dimmer recommendation: C•L® Dimmers or Caseta Wireless from LUTRON®.
- For on/off (no dimmer) operation, a standard wall switch may be substituted in place of the dimmer
- Need 22-1/4" ceiling clearance when installing; fully open cabinet is 31-3/4" high
- Improved serviceability: troubleshooting and repairs can be performed while the unit is installed

Accessories

- IQ™ Digital Lock Box: **NEW!**
DLB-24 – for use in 24" W cabinet,
DLB-UPLIFT – for use in 30", 36" and 48" W cabinets
- Handle Upgrades: (UHANDLE__)
- Side Kits:
Surface-Mount (USMK27D6P),
Semi-Recessed (USMK27D6SRP)
- Top and Bottom Kits:
Surface-Mount (UTK24D6A, UTK30D6A,
UTK36D6A, UTK48D6A),
Semi-Recessed (UTK24D6ASR, UTK30D6ASR,
UTK36D6ASR, UTK48D6ASR)
- Glass Bins
(GLASSBIN3.25, GLASSBIN5.25, GLASSBIN8.5)
- Ganging Kit (UGKIT)



Uplift® Tech Cabinet Worksheet

FEATURES

Select Dimension (W x H):

- 24" x 27"
- 30" x 27"
- 36" x 27"
- 48" x 27"

Select Depth:

- 6"

Select Mirror Style:

- Non-Lit
- Perimeter Lighting

Select Lighting Option:

- No Lighting
- Soft White (2700K)

Select Upgrade Option:

- No Upgrade

Electric Upgrade, Includes:

- Interior Lighting
- Electrical Outlets
- USB Charging Ports

Electric+ Upgrade, Includes:

- Interior Lighting
- Electrical Outlets
- USB Charging Ports
- Night Light
- Defogger

MODEL	UC	6	N
2427*			
3027			
3627			
4827			
6			
FP			
RP			
N			
3			
E0			
E2			
E4			

Note:

* 24" W available in No Lighting and No Upgrade only.

CUSTOMER INFORMATION

Name _____

Address _____

City/State/Zip _____

Telephone _____

Date Ordered _____

Notes _____

Uplift® Tech Cabinets – 24" & 30" Wide



With its vertical design, Uplift revolutionized the way in which we experience medicine cabinets. Uplift Tech enhances the innovative features of the classic Uplift cabinet with the state-of-the-art technology, superior task lighting, and luxurious finishes to create a cutting-edge storage solution that is seamlessly functional and beautifully versatile.

- Includes a lighted option, which features a perimeter border of light projecting high-efficiency illumination
- Redesigned handle features slimmer proportions and curved edges for a sleek shape available in Chrome, Polished Nickel, Matte Gold and Matte Black
- State-of-the-art technological features and functions, including two USB ports, seamless interior illumination, fine-tuned defogging, several electrical outlets, and a programmable night light integrated into the handle's design
- Available in a non-electric 24-inch version to accommodate smaller, urban spaces



Two Week Lead Time



Modular



Defogger



Electrical Outlet



Dimmable LED



Interior Lighting







Night Light



USB Charging

Uplift Tech Cabinets

	Description	Model	Price
24" W x 27" H (RO: 23" W x 26-1/4" H x 6" D)			
	Polished Edge, Non-Lit – No Upgrade	UC24276FPNE0N	\$ 2,099.
30" W x 27" H (RO: 29" W x 26-1/4" H x 6" D)			
	Polished Edge, Non-Lit – No Upgrade	UC30276FPNE0N	\$ 2,429.
	Polished Edge, Non-Lit – Electric Upgrade (Interior Lighting, Electrical Outlets, USB Charging Ports)	UC30276FPNE2N	\$ 2,729.
	Polished Edge, Non-Lit – Electric+ Upgrade (Interior Lighting, Electrical Outlets, USB Charging Ports, Night Light, Defogger)	UC30276FPNE4N	\$ 3,249.
	Perimeter Lighting – Electric Upgrade (Interior Lighting, Electrical Outlets, USB Charging Ports)	UC30276RP3E2N	\$ 3,249.
	Perimeter Lighting – Electric+ Upgrade (Interior Lighting, Electrical Outlets, USB Charging Ports, Night Light, Defogger)	UC30276RP3E4N	\$ 3,779.
	Perimeter Lighting – IQ™ Digital Lock Box, Electric+ Upgrade (Interior Lighting, Electrical Outlets, USB Charging Ports, Night Light, Defogger)	QUC30276RP3E4N	\$ 4,178.

NEW!

See Uplift Tech Accessories & Options on page 63.

Uplift® Tech Cabinets – 36" & 48" Wide



With its vertical design, Uplift revolutionized the way in which we experience medicine cabinets. Uplift Tech enhances the innovative features of the classic Uplift cabinet with the state-of-the-art technology, superior task lighting, and luxurious finishes to create a cutting-edge storage solution that is seamlessly functional and beautifully versatile.

- Includes a lighted option, which features a perimeter border of light projecting high-efficiency illumination
- Redesigned handle features slimmer proportions and curved edges for a sleek shape available in Chrome, Polished Nickel, Matte Gold and Matte Black
- State-of-the-art technological features and functions, including two USB ports, seamless interior illumination, fine-tuned defogging, several electrical outlets, and a programmable night light integrated into the handle's design
- Available in a non-electric 24-inch version to accommodate smaller, urban spaces



Two Week
Lead Time



Modular



Defogger



Electrical
Outlet



Dimmable
LED



Interior
Lighting



Night
Light



USB
Charging

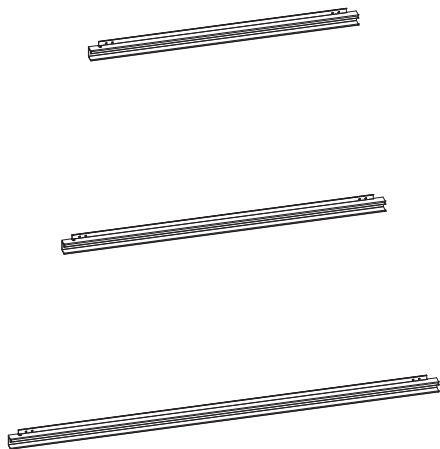


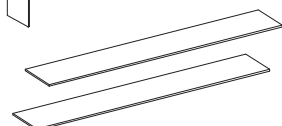
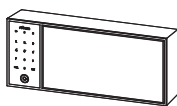
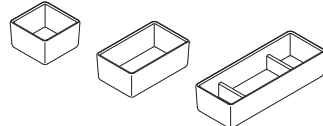
Uplift Tech Cabinets

	Description	Model	Price
36" W x 27" H (RO: 35" W x 26-1/4" H x 6" D)			
	Polished Edge, Non-Lit – Electric Upgrade (Interior Lighting, Electrical Outlets, USB Charging Ports)	UC36276FPNE2N	\$ 3,249.
	Polished Edge, Non-Lit – Electric+ Upgrade (Interior Lighting, Electrical Outlets, USB Charging Ports, Night Light, Defogger)	UC36276FPNE4N	\$ 3,779.
	Perimeter Lighting – Electric Upgrade (Interior Lighting, Electrical Outlets, USB Charging Ports)	UC36276RP3E2N	\$ 3,779.
	Perimeter Lighting – Electric+ Upgrade (Interior Lighting, Electrical Outlets, USB Charging Ports, Night Light, Defogger)	UC36276RP3E4N	\$ 4,299.
	Perimeter Lighting – IQ™ Digital Lock Box, Electric+ Upgrade (Interior Lighting, Electrical Outlets, USB Charging Ports, Night Light, Defogger)	QUC36276RP3E4N	\$ 4,698.
		NEW!	
48" W x 27" H (RO: 47" W x 26-1/4" H x 6" D)			
	Polished Edge, Non-Lit – Electric Upgrade (Interior Lighting, Electrical Outlets, USB Charging Ports)	UC48276FPNE2N	\$ 3,929.
	Polished Edge, Non-Lit – Electric+ Upgrade (Interior Lighting, Electrical Outlets, USB Charging Ports, Night Light, Defogger)	UC48276FPNE4N	\$ 4,479.
	Perimeter Lighting – Electric Upgrade (Interior Lighting, Electrical Outlets, USB Charging Ports)	UC48276RP3E2N	\$ 4,479.
	Perimeter Lighting – Electric+ Upgrade (Interior Lighting, Electrical Outlets, USB Charging Ports, Night Light, Defogger)	UC48276RP3E4N	\$ 4,999.
	Perimeter Lighting – IQ Digital Lock Box, Electric+ Upgrade (Interior Lighting, Electrical Outlets, USB Charging Ports, Night Light, Defogger)	QUC48276RP3E4N	\$ 5,398.
		NEW!	

See Uplift Tech Accessories & Options on page 63.

Uplift® Tech Cabinet Accessories & Options

Add-On Accessories & Options

	Description	Model	Price
	Uplift Tech – Handle Upgrades (Standard in Anodized Aluminum)		
	For 24" W Cabinet – Chrome	UHANDLE2476	\$ 379.
	For 24" W Cabinet – Polished Nickel	UHANDLE2477	\$ 379.
	For 24" W Cabinet – Matte Gold	UHANDLE2482	\$ 399.
	For 24" W Cabinet – Matte Black	UHANDLE2483	\$ 399.
	For 30" W Cabinet – Chrome	UHANDLE3076	\$ 429.
	For 30" W Cabinet – Polished Nickel	UHANDLE3077	\$ 429.
	For 30" W Cabinet – Matte Gold	UHANDLE3082	\$ 449.
	For 30" W Cabinet – Matte Black	UHANDLE3083	\$ 449.
	For 36" W Cabinet – Chrome	UHANDLE3676	\$ 479.
	For 36" W Cabinet – Polished Nickel	UHANDLE3677	\$ 479.
	For 36" W Cabinet – Matte Gold	UHANDLE3682	\$ 499.
For 36" W Cabinet – Matte Black	UHANDLE3683	\$ 499.	
	For 48" W Cabinet – Chrome	UHANDLE4876	\$ 529.
	For 48" W Cabinet – Polished Nickel	UHANDLE4877	\$ 529.
	For 48" W Cabinet – Matte Gold	UHANDLE4882	\$ 549.
	For 48" W Cabinet – Matte Black	UHANDLE4883	\$ 549.
	Side Kits for Uplift Tech Cabinets (Quantity 1 = Pair) Required for surface-mount or semi-recessed application		
	Surface-Mount – Polished Edge	USMK27D6P	\$ 179.
	Semi-Recessed – Polished Edge	USMK27D6SRP	\$ 179.
	Top and Bottom Kits for Uplift Tech Cabinets Required when top or bottom is visible		
	Surface-Mount, 24" W	UTK24D6A	\$ 249.
	Semi-Recessed, 24" W	UTK24D6ASR	\$ 249.
	Surface-Mount, 30" W	UTK30D6A	\$ 249.
	Semi-Recessed, 30" W	UTK30D6ASR	\$ 249.
	Surface-Mount, 36" W	UTK36D6A	\$ 249.
	Semi-Recessed, 36" W	UTK36D6ASR	\$ 249.
	Surface-Mount, 48" W	UTK48D6A	\$ 249.
	Semi-Recessed, 48" W	UTK48D6ASR	\$ 249.
	IQ™ Digital Lock Box		
	For use with 24" W cabinets	DLB-UPLIFT24	\$ 399.
	For use with 30", 36", 48" W cabinets	DLB-UPLIFT	\$ 399.
	Accessory Glass Bins		
	Small, 3-1/4" W x 3-1/4" L	GLASSBIN3.25	\$ 49.
	Medium, 3-1/4" W x 5-1/4" L	GLASSBIN5.25	\$ 49.
	Large, 3-1/4" W x 8-1/2" L	GLASSBIN8.5	\$ 49.
	Uplift Tech Ganging Kit	UGKIT	\$ 179.
	Required when pairing Uplift Tech cabinets		

See Uplift Lighting on pages 174 – 175.

SEE PAGES 58 – 59 FOR TIPS & FEATURES.

AiO® Cabinets – Table of Contents, Tips & Features

Table of Contents

AiO Cabinets Tips & Features	64 – 65
AiO Cabinet Worksheet	66
30" & 40" High Cabinets	67
24" Wide Single Door	67
30" & 36" Wide Dual Door	67
30" & 40" High Cabinets with Audio	68
24" Wide Single Door	68
30" & 36" Wide Dual Door	68
AiO Accessories & Options	69
AiO Lighted Mirrors	187 – 189
Cabinet Accessories	293 – 299
Cabinet Ganging Reference	37

Tips & Features

Dimensions & Weight

- Dimensions (W x H):
 23-1/4" x 30" (591 mm x 762 mm)
 23-1/4" x 39-3/8" (591 mm x 1000 mm)
 29-1/4" x 30" (743 mm x 762 mm)
 29-1/4" x 39-3/8" (743 mm x 1000 mm)
 35-1/4" x 30" (895 mm x 762 mm)
 35-1/4" x 39-3/8" (895 mm x 1000 mm)
- Depth: 4-5/8" (117 mm)
- Net Weight: 41 – 70 lbs

Configurable Options

- Door Styles:
 Single Door, Dual Door, With IQ™ Digital Lock Box
- Audio Options: OM® Audio or Non-Audio Version
- Lighting Options: Soft White (2700K) or Bright White (4000K)
- Hinge Side: Left or Right

Features & Benefits

- OM Audio: built-in speakers with a range up to 30 feet with a 2 channel stereo at 20 watts/channel. Bluetooth connectivity supports most Android and iOS devices. Volume controlled by device.
- LUM® Lighting: Integrated dimmable LED lights and one-touch lighting control with capacitive-touch switch built into the mirror
- Choose between soft, relaxing tones (2700K) that replicate indoor lighting or bright, invigorating tones (4000K), which simulate bright daylight
- Remarkably accurate color rendering at 90+ CRI, so you can see your truest reflection
- Light direction and output eliminate dark shadows, provides bright even task lighting and rich, saturated tone in your reflection
- Dimmable LED task lighting lets you select the ideal brightness for any task
- Interior illumination with LED lighting built into the cabinet door
- Includes magnetic tool holder for small tools like tweezers and scissors
- Designed to seamlessly fit in your cabinet, the optional IQ Digital Lock Box features improved technology to keep your most important items secure. With key code entry, remote access, and tamper notifications via smartphone, you will have total control over your personal items **NEW!**



Tips & Features (Continued)

Features & Benefits (Continued)

- Includes two USB charging ports and two 15A, 120VAC outlets (2 plugs) for single door and four 120VAC outlets (4 plugs) for dual door
- Includes Compact Adjustable Magnification Mirror (CAMM) with 5X magnification that sits on the magnetic strip in your cabinet or along the inside of the door so you can see yourself close up
- Constructed to operate in high humidity or damp spaces. ETL/UL Certified for damp locations to UL 962, CSA Standard C22.2 No. 68

Construction

- Durable rust-free anodized aluminum and glass construction – resists intense moisture, ensuring long-lasting beauty
- Satin anodized aluminum body
- Quiet close Safeseal™ Gasket with sealed corners on cabinet body
- 3 mirror design – rear of cabinet and both sides of door
- Concealed finger pull-door edge
- Door opening angle 170 degrees (110 with provided stop): Blum self-closing hinges
- Adjustable shelving at 2" (51 mm) increments: 3 shelves for 30" H, 4 shelves for 40" H
- 1/4" (6 mm) thick adjustable clear glass shelves
- Magnetic area in the rail with cabinet to house magnetic tool holder

Installation

- This installation may require more than one person
- Install as a single unit or gang together for a multiple cabinet installation
- Recessed or surface-mount installation
- Cabinets include hardware for recessed installation. Surface-mount installations require the purchase of a surface-mount kit which includes the side kit as well as mounting hardware.
- Recessed cabinets project 7/8" from wall and must be recessed no less than 3-3/4" deep
- Single field wire into electrical shelf – front access serviceability
- MGKIT includes hardware to gang both sides of a cabinet. As a result, three cabinets can be ganged together from one MGKIT.

Accessories

- IQ™ Digital Lock Box (DLB-24), **NEW!** 24" W cabinet only
- Entice® Magnification Mirror (ENTICE, ENTICEDOCK)
- Compact Adjustable Magnification Mirror (CAMM)
- Swing-Out Magnification Mirror (SOMM)
- Pull-Out Magnification Mirror (POMM) – 24" W only
- Handle Kits (MHANDLEKIT, MPUSHKIT)
- Glass Bins (GLASSBIN3.25, GLASSBIN5.25, GLASSBIN8.5)
- Razor/Phone Holder (MA-TRAY2.5)
- 3" and 5" Accessory Tray (MA-TRAY3, MA-TRAY5)
- Surface-Mount Kits (MSMK30D__, MSMK40D__)
- Ganging Kit (MGKIT)

Lighting Specs

Kelvin	2700K 4000K
CRI	90+
Lumens ¹	750
Lux ^{1, 2}	410
R9 Value ¹	50+
Foot-candles ^{1, 2}	38

¹ Measured on a 24" W x 30" H model

² Measured at 18" from center of the mirror

Efficacy (LED Source)

Watts per Foot	8.8
Lumens per Foot	610
Lumens per Watt	69



AiO[®] Cabinet Worksheet

FEATURES

Select Dimension (W x H):

24" x 30"

24" x 40"

30" x 30"

30" x 40"

36" x 30"

36" x 40"

Select Depth:

4"

Select Cabinet Style:

Single Door

Dual Door

Select Hinge Side:

Left

Right

Select Audio Upgrade:

None

(leave blank with no space)

OM[®] Audio

Select Lighting Option:

Soft White (2700K)

Bright White (4000K)

(leave blank with no space)

MODEL

AC

D4

2430

2440

3030*

3040*

3630*

3640*

D4

P1

P2

L**

R**

—

A

W

—

Notes:

* Available as a Dual Swing only.

** Available in 24" W Single Swing only.

CUSTOMER INFORMATION

Name

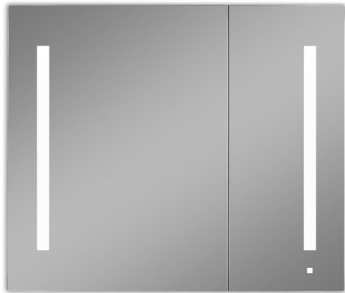
Address

City/State/Zip

Telephone

Date Ordered

Notes



Meet the cabinet with everything. A combination of innovation and convenience, AiO cabinets provide a solution for all your styling needs. Use Bluetooth® connectivity to listen to your favorite music, control task lighting with a dimmer, charge your mobile devices with integrated USB ports and more.

- LUM® Lighting Technology includes an integrated LED light, engine and dimmer, and capacitive-touch dimming switch
- OM® Audio Technology transforms your mirror into an audio system, generating sound into the entire space with high fidelity Bluetooth connectivity
- Choose between soft white (2700K) and bright white (4000K) lighting tones



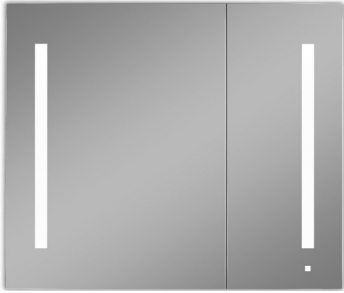
AiO 30" H and 40" H Cabinets

Description	2700K	4000K	Price
24" W: 23-1/4" W x 30" H x 4" D (RO: 22-1/2" W x 29-1/4" H x 4" D)			
Single Door, Polished Edge, Left Hinge	AC2430D4P1LW	AC2430D4P1L	\$ 2,099.
Single Door, Polished Edge, Left Hinge, IQ™ Digital Lock Box	N/A	QAC2430D4P1L NEW!	\$ 2,498.
Single Door, Polished Edge, Right Hinge	AC2430D4P1RW	AC2430D4P1R	\$ 2,099.
Single Door, Polished Edge, Right Hinge, IQ Digital Lock Box	N/A	QAC2430D4P1R NEW!	\$ 2,498.
24" W: 23-1/4" W x 39-3/8" H x 4" D (RO: 22-1/2" W x 38-5/8" H x 4" D)			
Single Door, Polished Edge, Left Hinge	AC2440D4P1LW	AC2440D4P1L	\$ 2,629.
Single Door, Polished Edge, Left Hinge, IQ Digital Lock Box	N/A	QAC2440D4P1L NEW!	\$ 2,978.
Single Door, Polished Edge, Right Hinge	AC2440D4P1RW	AC2440D4P1R	\$ 2,629.
Single Door, Polished Edge, Right Hinge, IQ Digital Lock Box	N/A	QAC2440D4P1R NEW!	\$ 2,978.
30" W: 29-1/4" W x 30" H x 4" D (RO: 28-1/2" W x 29-1/4" H x 4" D)			
Dual Door, Polished Edge, Large Door at Left	AC3030D4P2LW	AC3030D4P2L	\$ 2,529.
30" W: 29-1/4" W x 39-3/8" H x 4" D (RO: 28-1/2" W x 38-5/8" H x 4" D)			
Dual Door, Polished Edge, Large Door at Left	AC3040D4P2LW	AC3040D4P2L	\$ 2,979.
36" W: 35-1/4" W x 30" H x 4" D (RO: 34-1/2" W x 29-1/4" H x 4" D)			
Dual Door, Polished Edge, Large Door at Left	AC3630D4P2LW	AC3630D4P2L	\$ 2,849.
36" W: 35-1/4" W x 39-3/8" H x 4" D (RO: 34-1/2" W x 38-5/8" H x 4" D)			
Dual Door, Polished Edge, Large Door at Left	AC3640D4P2LW	AC3640D4P2L	\$ 3,299.

Note: Models in **bold** indicate Quick Ship product.

See AiO Accessories & Options on page 69.

AiO® Cabinets with Audio



Meet the cabinet with everything. A combination of innovation and convenience, AiO cabinets provide a solution for all your styling needs. Use Bluetooth® connectivity to listen to your favorite music, control task lighting with a dimmer, charge your mobile devices with integrated USB ports and more.

- LUM® Lighting Technology includes an integrated LED light, engine and dimmer, and capacitive-touch dimming switch
- OM® Audio Technology transforms your mirror into an audio system, generating sound into the entire space with high fidelity Bluetooth connectivity
- Choose between soft white (2700K) and bright white (4000K) lighting tones



Two Week Lead Time



Modular



Dimmable LED



USB Charging



Electrical Outlet



Interior Lighting



Magnetic



Magnification Mirror



Audio/Bluetooth®

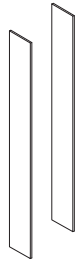
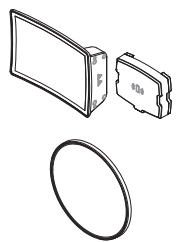
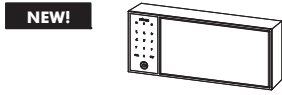
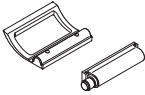
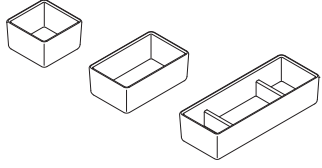
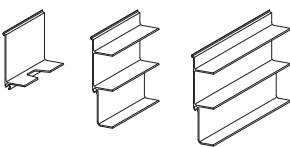
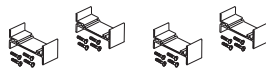
AiO 30" H and 40" H Cabinets

Description	2700K With Audio	4000K With Audio	Price
24" W: 23-1/4" W x 30" H x 4" D (RO: 22-1/2" W x 29-1/4" H x 4" D)			
Single Door, Polished Edge, Left Hinge	AC2430D4P1LAW	AC2430D4P1LA	\$ 2,679.
Single Door, Polished Edge, Right Hinge	AC2430D4P1RAW	AC2430D4P1RA	\$ 2,679.
24" W: 23-1/4" W x 39-3/8" H x 4" D (RO: 22-1/2" W x 38-5/8" H x 4" D)			
Single Door, Polished Edge, Left Hinge	AC2440D4P1LAW	AC2440D4P1LA	\$ 3,199.
Single Door, Polished Edge, Right Hinge	AC2440D4P1RAW	AC2440D4P1RA	\$ 3,199.
30" W: 29-1/4" W x 30" H x 4" D (RO: 28-1/2" W x 29-1/4" H x 4" D)			
Dual Door, Polished Edge, Large Door at Left	AC3030D4P2LAW	AC3030D4P2LA	\$ 3,099.
30" W: 29-1/4" W x 39-3/8" H x 4" D (RO: 28-1/2" W x 38-5/8" H x 4" D)			
Dual Door, Polished Edge, Large Door at Left	AC3040D4P2LAW	AC3040D4P2LA	\$ 3,579.
36" W: 35-1/4" W x 30" H x 4" D (RO: 34-1/2" W x 29-1/4" H x 4" D)			
Dual Door, Polished Edge, Large Door at Left	AC3630D4P2LAW	AC3630D4P2LA	\$ 3,429.
36" W: 35-1/4" W x 39-3/8" H x 4" D (RO: 34-1/2" W x 38-5/8" H x 4" D)			
Dual Door, Polished Edge, Large Door at Left	AC3640D4P2LAW	AC3640D4P2LA	\$ 3,899.

See AiO Accessories & Options on page 69.

AiO[®] Cabinet Accessories & Options

Add-On Accessories & Options

	Description	Model	Price
	Surface-Mount Kits – Quantity 1 = Pair of Side Kits and Mounting Hardware Required for surface-mount installation		
	For 30" H Cabinets – Polished Edge	MSMK30D4P	\$ 149.
	For 40" H Cabinets – Polished Edge	MSMK40D4P	\$ 249.
	See Bottom Kits on page 299.		
	Magnification Mirrors		
	Entice [®] 5X magnification mirror	ENTICE	\$ 449.
	Entice 5X magnification mirror with inductive charging dock	ENTICEDOCK	\$ 499.
	Compact adjustable 5X magnification mirror	CAMM	\$ 49.
	Refer to pages 294 – 295 for SOMM, Freestanding and Wall-Mount Magnification Mirrors.		
	IQ[™] Digital Lock Box		
	For use with 24" W cabinets	DLB-24	\$ 399.
	Handle Kits		
	Chrome Handle or Push-to-Open Mechanism	MHANDLEKIT MPUSHKIT	\$ 179. \$ 99.
	Accessory Glass Bins		
	Small, 3-1/4" W x 3-1/4" L	GLASSBIN3.25	\$ 49.
	Medium, 3-1/4" W x 5-1/4" L	GLASSBIN5.25	\$ 49.
	Large, 3-1/4" W x 8-1/2" L	GLASSBIN8.5	\$ 49.
	Accessory Trays		
	Razor/Phone Holder	MA-TRAY2.5	\$ 29.
	3" Accessory Tray	MA-TRAY3	\$ 29.
	5" Accessory Tray	MA-TRAY5	\$ 29.
	Ganging Kit (30"/40" H)	MGKIT	\$ 49.
	Hardware required for installing 2 or 3 cabinets side-by-side		
	See AiO Wall Mirrors on pages 187 – 189.		

 **Note:** Models in **bold** indicate Quick Ship product.

SEE PAGES 64 – 65 FOR TIPS & FEATURES.

Vitality® Cabinets – Table of Contents, Tips & Features

Table of Contents

Vitality Cabinets Tips & Features	70 – 71
Vitality Cabinet Worksheet	72
Vitality Cabinets	73 – 74
Vitality Lighted Mirrors	197 – 202
Cabinet Accessories	293 – 299

Tips & Features

Dimensions & Weight

- Dimensions (W x H):
23-1/4" x 30" (591 mm x 762 mm)
23-1/4" x 39-3/8" (591 mm x 1000 mm)
- Depth: 4-5/8" (117 mm)
- Net Weight: 33 – 43 lbs

Configurable Options

- Door Styles: Single Door, With IQ™ Digital Lock Box
- Hinge Side: Left or Right

Features & Benefits

- Soft, relaxing tones (3000K) that replicate indoor lighting
- Remarkably accurate color rendering at 90+ CRI, so you can see your truest reflection
- Light direction and output eliminate dark shadows, provides bright even task lighting and rich, saturated tone in your reflection
- Dimmable LED task lighting to 1% lets you select the ideal brightness for any task, using a standard dimmer that works with existing wiring
- Power when and where you need it most, the in-cabinet outlet provides one 15A, 120VAC outlet (2 plugs) for items such as electric razors and toothbrushes
- Customize around your own needs with a modular design. Install as a single unit or gang together for a multiple cabinet installation
- Energy efficient LEDs with an estimated life of 53,000 hours

Features & Benefits (Continued)

- Available with optional razor/phone holder and 3 tier trays to house small items such as eyeglasses, contact lens cases and cosmetics
- Add an optional magnification mirror to perform detailed tasks: Pull-Out Magnification Mirror magnifies at 3X and retracts neatly into the cabinet, Swing-Out Magnification Mirror magnifies at 2X and is installed on the door, in between shelves
- Designed to seamlessly fit in your cabinet, the optional IQ Digital Lock Box features improved technology to keep your most important items secure. With key code entry, remote access, and tamper notifications via smartphone, you will have total control over your personal items **NEW!**
- Optional Glass Bins to store cotton balls, swabs, hair accessories and other bath necessities in a non-toxic, 100% recyclable and reusable stylish canisters that offer strength, weight and compatibility for damp spaces and stand up to wear
- Two optional opening accessories are available: The polished stainless steel handle is a chrome look and the position of the handle can be customized to your needs. The push-to-open mechanism is gray and provides an alternative to those who prefer the function over using the door pull
- Ideal for ADA applications
- Constructed to operate in high humidity or damp spaces. ETL/UL Certified for damp locations to UL 962, CSA Standard C22.2 No. 68



Tips & Features (Continued)

Construction

- Durable rust-free anodized aluminum and glass construction – resists intense moisture, ensuring long-lasting beauty
- Satin anodized aluminum body
- Quiet close Safeseal™ Gasket with sealed corners on cabinet body ensure a quiet, moisture-and dust-resistant interior
- Quality polished edge mirror
- 3 mirror design – rear of cabinet and both sides of door – simplifies your styling routine with the ability to access your personal items and use the mirror at the same time
- Concealed finger pull surrounds the door edge for ease of opening
- Blum self-closing hinges provide a door opening angle of 170 degrees (110 degrees with provided stop)
- Configure the interior of your cabinet to accommodate essential items of varying heights, from electric toothbrushes to your favorite fragrance, with 1/4" thick adjustable clear glass shelves that can adjust in 2-inch increments: 3 shelves for 30" H, 4 shelves for 40" H
- Salt Spray Testing: ASTM Standard for 300 hours performed to test mirror quality against desilvering and degradation resulting from environmental exposure
- Cast Testing: copper test (simulate whole life of product) – accelerated age testing
- Secure placement: Independent lab testing of cabinet mounting to ensure that it meets the standard for safety

Installation

- This installation may require more than one person
- Compatible with most Triac/Phase-cut dimmers, available separately through electrical supply and home improvement centers
- Recessed or surface-mount installation
- Cabinets include hardware for recessed installation. Surface-mount installations require the purchase of a surface-mount kit which includes the side kit as well as mounting hardware.
- Recessed cabinets project 7/8" from wall and must be recessed no less than 3-3/4" deep
- Single field wire into electrical shelf – front access serviceability
- MGKIT includes hardware to gang both sides of a cabinet. As a result, three cabinets can be ganged together from one MGKIT.

Accessories

- IQ™ Digital Lock Box (DLB-24) **NEW!**
- Pull-Out Magnification Mirror (POMM)
- Swing-Out Magnification Mirror (SOMM)
- Handle Kits (MHANDLEKIT, MPUSHKIT)
- Glass Bins (GLASSBIN3.25, GLASSBIN5.25, GLASSBIN8.5)
- Razor/Phone Holder (MA-TRAY2.5)
- 3" and 5" Accessory Tray (MA-TRAY3, MA-TRAY5)
- Surface-Mount Kits (MSMK30D__, MSMK40D__)
- Ganging Kit (MGKIT)



Vitality® Cabinet Worksheet

FEATURES

Select Dimension (W x H):

24" x 30"

24" x 40"

Select Depth:

4"

Select Mirror Style:

Polished Edge

Select Hinge Side:

Left

Right

Select Lighting Option:

Soft White (2700K)

MODEL	YC	D4	P1	3
2430				
2440				
D4				
P1				
L				
R				
3				

CUSTOMER INFORMATION

Name

Address

City/State/Zip

Telephone

Date Ordered

Notes

Vitality® Cabinets



The Vitality medicine cabinet offers a quality lighted medicine cabinet at an affordable price, making the selection easy with a simple offering – 4 options from 30” to 40” high – all equipped with dimmable integrated lighting and integrated electrical ports.

- LED lighting in soft white (3000K)
- Dimmable – using off-mirror control (sold separately)
- Electrical outlet



Two Week Lead Time



Modular



Dimmable LED



Electrical Outlet



Magnification Mirror

Vitality Cabinets

	Description	Model	Price
30" H: 23-1/4" W x 30" H x 4" D (RO: 22-1/2" W x 29-1/4" H x 4" D)			
	Polished Edge, 3000K, Left Hinge	YC2430D4P1L3	\$ 1,249.
	Polished Edge, 3000K, Left Hinge, IQ [™] Digital Lock Box	QYC2430D4P1L3 NEW!	\$ 1,648.
	Polished Edge, 3000K, Right Hinge	YC2430D4P1R3	\$ 1,249.
	Polished Edge, 3000K, Right Hinge, IQ Digital Lock Box	QYC2430D4P1R3 NEW!	\$ 1,648.
40" H: 23-1/4" W x 39-3/8" H x 4" D (RO: 22-1/2" W x 38-5/8" H x 4" D)			
	Polished Edge, 3000K, Left Hinge	YC2440D4P1L3	\$ 1,499.
	Polished Edge, 3000K, Left Hinge, IQ Digital Lock Box	QYC2440D4P1L3 NEW!	\$ 1,898.
	Polished Edge, 3000K, Right Hinge	YC2440D4P1R3	\$ 1,499.
	Polished Edge, 3000K, Right Hinge, IQ Digital Lock Box	QYC2440D4P1R3 NEW!	\$ 1,898.

Note: Models in **bold** indicate Quick Ship product.

See Vitality Cabinet Accessories & Options on the following page.

Vitality® Cabinet Accessories & Options

Add-On Accessories & Options

Description	Model	Price
Surface-Mount Kits – Quantity 1 = Pair of Side Kits and Mounting Hardware Required for surface-mount installation		
For 30" H Cabinets – Polished Edge	MSMK30D4P	\$ 149.
For 40" H Cabinets – Polished Edge	MSMK40D4P	\$ 249.
See Bottom Kits on page 299.		
POMM Magnification Mirror		
Pull-Out Magnification Mirror	POMM	\$ 249.
Magnifies at 3X and retracts neatly into cabinet		
Refer to pages 294 – 295 for SOMM, Freestanding and Wall-Mount Magnification Mirrors.		
IQ™ Digital Lock Box		
For use with 24" W cabinets	DLB-24	\$ 399.
Handle Kits		
Chrome Handle	MHANDLEKIT	\$ 179.
or		
Push-to-Open Mechanism	MPUSHKIT	\$ 99.
Accessory Glass Bins		
Small, 3-1/4" W x 3-1/4" L	GLASSBIN3.25	\$ 49.
Medium, 3-1/4" W x 5-1/4" L	GLASSBIN5.25	\$ 49.
Large, 3-1/4" W x 8-1/2" L	GLASSBIN8.5	\$ 49.
Accessory Trays		
Razor/Phone Holder	MA-TRAY2.5	\$ 29.
3" Accessory Tray	MA-TRAY3	\$ 29.
5" Accessory Tray	MA-TRAY5	\$ 29.
Ganging Kit (30"/40" H)		
Hardware required for installing 2 or 3 cabinets side-by-side	MGKIT	\$ 49.

See Vitality Wall Mirrors on pages 197 – 202.



Note: Models in **bold** indicate Quick Ship product.

SEE PAGES 70 – 71 FOR TIPS & FEATURES.

Table of Contents

Profiles Ganging Reference	226
Profiles Framed Cabinet Tips & Features	75 – 76
Profiles Framed Cabinet Worksheet	77
30" High Cabinets	78 – 85
12" Wide	78 – 79
16" Wide	80 – 81
20" Wide	82 – 83
24" Wide	84 – 85
40" High Cabinets	86 – 93
12" Wide	86 – 87
16" Wide	88 – 89
20" Wide	90 – 91
24" Wide	92 – 93
48" High Cabinets – 16", 20" & 24" W	94 – 95
Profiles Lighting Options	164 – 168
Profiles Framed Mirrors	194 – 196
Cabinet Accessories	293 – 299

Tips & Features

Dimensions & Weight

- Dimensions (W x H):
 - 11-1/4" x 30" (286 mm x 762 mm)
 - 11-1/4" x 39-3/8" (286 mm x 1000 mm)
 - 15-1/4" x 30" (387 mm x 762 mm)
 - 15-1/4" x 39-3/8" (387 mm x 1000 mm)
 - 15-1/4" x 48" (387 mm x 1219 mm)
 - 19-1/4" x 30" (489 mm x 762 mm)
 - 19-1/4" x 39-3/8" (489 mm x 1000 mm)
 - 19-1/4" x 48" (489 mm x 1219 mm)
 - 23-1/4" x 30" (591 mm x 762 mm)
 - 23-1/4" x 39-3/8" (591 mm x 1000 mm)
 - 23-1/4" x 48" (591 mm x 1219 mm)
- Depth:
 - 4" (102 mm)
 - 6" (152 mm) – not available for 48" H;
 - 4-11/16" (119 mm) surface-mount;
 - 15/16" (24 mm) when recessed
- Net Weight: 17 – 50 lbs

Configurable Options

- Door Styles: Single Door, With IQ™ Digital Lock Box
- Hinge Side: Reversible, Left or Right Hinge
- Upgrade Options: No Upgrade, Electric Upgrade
- Metal Finish Options:
 - Chrome, Polished Nickel, Matte Gold, Matte Black



Profiles® Framed Cabinets – Tips & Features

Features & Benefits

- Match all fixtures in your styling space with Profiles metal frame finishes for a coordinated look: Chrome, Polished Nickel, Matte Gold, Matte Black
- Modular cabinets can be ganged with Profiles Lighting and Profiles Mirrors with optional ganging kit
- Electric option includes two USB charging ports and one 15A, 120VAC outlets (2 plugs)
- Includes magnetic tool holder (except 12" W electric options)
- Pair with Profiles Mirror when storage is not needed and Profiles Lighting to create task lighting in your styling space
- Create a coordinated ensemble by pairing with Profiles Lighting, Profiles Mirrors and Profiles Vanities
- Designed to seamlessly fit in your cabinet, the optional IQ™ Digital Lock Box features improved technology to keep your most important items secure. With key code entry, remote access, and tamper notifications via smartphone, you will have total control over your personal items **NEW!**
- Constructed to operate in high humidity or damp spaces. ETL/UL Certified for damp locations to UL 962, CSA Standard C22.2 No. 68

Construction

- Durable rust-free anodized aluminum and glass construction – resists intense moisture, ensuring long-lasting beauty
- Satin anodized aluminum body
- Quiet close Safeseal™ Gasket with sealed corners on cabinet body
- 3 mirror design – on back of door and inside of cabinet
- Concealed finger pull-door edge
- Door opening angle 170 degrees (110 with provided stop): Blum self-closing hinges
- Adjustable shelving at 2" (51 mm) increments: 3 shelves for 30" H, 4 shelves for 40" H
- 1/4" (6 mm) thick adjustable clear glass shelves
- Magnetic area in the rail with cabinet to house magnetic tool holder

Installation

- This installation may require more than one person
- Install as a single unit or gang together for a multiple cabinet installation
- Recessed, semi-recessed or surface-mount installation (6" deep cabinets can be semi-recessed by 4")
- Cabinets include hardware for recessed installation. Surface-mount and semi-recess installations require the purchase of a kit which includes the side kit as well as mounting hardware.
- Recessed cabinets project 15/16" from wall and must be recessed no less than 3-3/4" deep
- For ganging with Profiles Lighting or Profiles Mirrors, a ganging kit is needed to ensure flush alignment.
- Optional MGKIT includes hardware to gang both sides of a cabinet. As a result, three cabinets or two cabinets and three lights can be ganged together from one MGKIT.

Accessories

- IQ Digital Lock Box (DLB-16, DLB-20, DLB-24), **NEW!** not for use with 12" W cabinets
- Pull-Out Magnification Mirror (POMM)
- Swing-Out Magnification Mirror (SOMM)
- Push-to-Open Kit (MPUSHKIT)
- Glass Bins (GLASSBIN3.25, GLASSBIN5.25, GLASSBIN8.5)
- Razor/Phone Holder (MA-TRAY2.5)
- 3" and 5" Accessory Tray (MA-TRAY3, MA-TRAY5)
- Surface-Mount Kits (MSMK30D__, MSMK40D__, MSMK48DP)
- Ganging Kit (MGKIT) – for ganging with lighting and other cabinets
- Ganging Kit (PMGKIT____) – for ganging with Profiles Mirrors
- Stacking Filler System (MSF-*)



Profiles® Framed Cabinet Worksheet

FEATURES

Select Dimension (W x H):

- 12" x 30"
- 12" x 40"
- 16" x 30"
- 16" x 40"
- 16" x 48"
- 20" x 30"
- 20" x 40"
- 20" x 48"
- 24" x 30"
- 24" x 40"
- 24" x 48"

Select Depth:

- 4"
- 6"

Select Frame Width:

- 3/4" Width

Select Hinge Side:

- Reversible (Left or Right Hinge)
- Left
- Right

Select Upgrade Option:

- No Upgrade

Electric Upgrade, Includes:

- Electrical Outlets
- USB Charging Ports

Select Metal Finish Option:

- Chrome
- Polished Nickel
- Matte Gold
- Matte Black

MODEL

PC

T

- 1230
- 1240
- 1630
- 1640
- 1648
- 2030
- 2040
- 2048
- 2430
- 2440
- 2448

- D4
- D6*

- T

- N
- L
- R

- N

- E

- 76
- 77
- 82
- 83

Note:

* 48" H not available in 6" Depth.

CUSTOMER INFORMATION

Name

Address

City/State/Zip

Telephone

Date Ordered

Notes

Profiles® Framed Cabinets – 12" W x 30" H



The bold metal frame makes a stunning first impression, while the clever storage solutions within – like integrated outlets, USB charging ports and a magnetic tool holder – create a lasting impact. Profiles medicine cabinets are gangable and can be easily combined to create additional storage space. If the extra space isn't necessary, pair with Profiles mirrors or Profiles lighting to achieve the perfect look.

- Limitless design solutions with ability to coordinate styling space above and below the sink
- No Upgrade and Electric Upgrade options
- Includes two USB charging outlets and two 120VAC outlets



Two Week
Lead Time



Modular



Electrical
Outlet





USB
Charging



Magnetic

12" W x 30" H Cabinets

Description	Model	FRAME FINISHES	
		76, 77 Price	82, 83 Price
4" Deep (D4): 11-1/4" W x 30" H (RO: 10-1/2" W x 29-1/4" H x 4" D)			
 Reversible Hinge	PC1230D4TNN __	\$ 1,179.	\$ 1,279.
Left – Electric Upgrade	PC1230D4TLE __	\$ 1,579.	\$ 1,679.
Right – Electric Upgrade	PC1230D4TRE __	\$ 1,579.	\$ 1,679.
6" Deep (D6): 11-1/4" W x 30" H (RO: 10-1/2" W x 29-1/4" H x 6" D)			
 Reversible Hinge	PC1230D6TNN __	\$ 1,449.	\$ 1,579.
Left – Electric Upgrade	PC1230D6TLE __	\$ 1,879.	\$ 1,979.
Right – Electric Upgrade	PC1230D6TRE __	\$ 1,879.	\$ 1,979.

Frame Finish Options

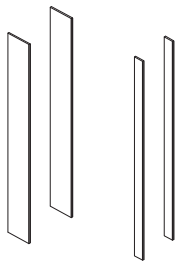
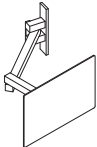
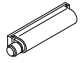
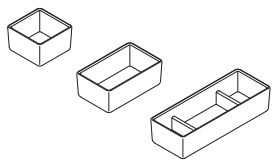
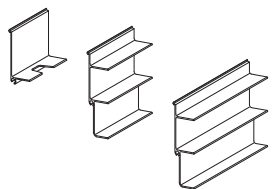

Fill in __ designator to Model listed above with desired finish. Example: PC1230D4TLE77.

- 76 Chrome
- 77 Polished Nickel
- 82 Matte Gold
- 83 Matte Black

See Accessories & Options on the following page.

Profiles® Framed Cabinets – 12" W x 30" H

Add-On Accessories & Options

	Description	Model	Price
	Side Kits for 30" Cabinets Quantity 1 = Pair of Side Kits and Mounting Hardware		
	4" D – Surface-Mount, Polished Edge	MSMK30D4P	\$ 149.
	6" D – Surface-Mount, Polished Edge	MSMK30D6P	\$ 199.
	6" D – Semi-Recessed, Polished Edge	MSMK30D6SRP	\$ 149.
	See Bottom Kits on page 299.		
	POMM Magnification Mirror		
	Pull-Out Magnification Mirror	POMM	\$ 249.
	Magnifies at 3X and retracts neatly into cabinet		
	Refer to pages 294 – 295 for SOMM, Freestanding and Wall-Mount Magnification Mirrors.		
	Handle Kit		
	Push-to-Open Mechanism	MPUSHKIT	\$ 99.
	Accessory Glass Bins		
	Small, 3-1/4" W x 3-1/4" L	GLASSBIN3.25	\$ 49.
	Medium, 3-1/4" W x 5-1/4" L	GLASSBIN5.25	\$ 49.
	Large, 3-1/4" W x 8-1/2" L	GLASSBIN8.5	\$ 49.
	Accessory Trays		
	Razor/Phone Holder	MA-TRAY2.5	\$ 29.
	3" Accessory Tray	MA-TRAY3	\$ 29.
	5" Accessory Tray	MA-TRAY5	\$ 29.
	Ganging Kit		
	Hardware required for installing 2 or 3 cabinets side-by-side	MGKIT	\$ 49.

Coordinating Options:
 Profiles Modular Lights
 Refer to pages 164 – 168.
 Profiles Wall Mirrors
 See pages 194 – 196.
 Profiles Vanities
 See pages 224 – 241.

SEE PAGES 75 – 76 FOR TIPS & FEATURES.

Profiles® Framed Cabinets – 16" W x 30" H



The bold metal frame makes a stunning first impression, while the clever storage solutions within – like integrated outlets, USB charging ports and a magnetic tool holder – create a lasting impact. Profiles medicine cabinets are gangable and can be easily combined to create additional storage space. If the extra space isn't necessary, pair with Profiles mirrors or Profiles lighting to achieve the perfect look.

- Limitless design solutions with ability to coordinate styling space above and below the sink
- No Upgrade and Electric Upgrade options
- Includes two USB charging outlets and two 120VAC outlets



Two Week
Lead Time



Modular



Electrical
Outlet

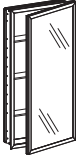
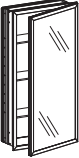


USB
Charging



Magnetic

16" W x 30" H Cabinets

Description	Model	FRAME FINISHES	
		76, 77 Price	82, 83 Price
4" Deep (D4): 15-1/4" W x 30" H (RO: 14-1/2" W x 29-1/4" H x 4" D)			
 Reversible Hinge	PC1630D4TNN __	\$ 1,279.	\$ 1,379.
Left – Electric Upgrade	PC1630D4TLE __	\$ 1,679.	\$ 1,779.
Right – Electric Upgrade	PC1630D4TRE __	\$ 1,679.	\$ 1,779.
6" Deep (D6): 15-1/4" W x 30" H (RO: 14-1/2" W x 29-1/4" H x 6" D)			
 Reversible Hinge	PC1630D6TNN __	\$ 1,579.	\$ 1,679.
Left – Electric Upgrade	PC1630D6TLE __	\$ 1,979.	\$ 2,099.
Right – Electric Upgrade	PC1630D6TRE __	\$ 1,979.	\$ 2,099.

Frame Finish Options

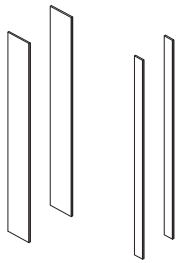
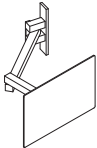

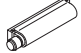
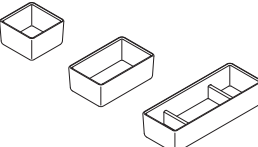
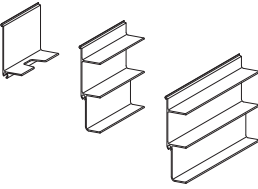

Fill in __ designator to Model listed above with desired finish. Example: PC1630D4TRE82.

- 76 Chrome
- 77 Polished Nickel
- 82 Matte Gold
- 83 Matte Black

See Accessories & Options on the following page.

Profiles® Framed Cabinets – 16" W x 30" H

Add-On Accessories & Options

	Description	Model	Price
	Side Kits for 30" Cabinets Quantity 1 = Pair of Side Kits and Mounting Hardware		
	4" D – Surface-Mount, Polished Edge	MSMK30D4P	\$ 149.
	6" D – Surface-Mount, Polished Edge	MSMK30D6P	\$ 199.
	6" D – Semi-Recessed, Polished Edge	MSMK30D6SRP	\$ 149.
	See Bottom Kits on page 299.		
	POMM Magnification Mirror		
	Pull-Out Magnification Mirror	POMM	\$ 249.
	Magnifies at 3X and retracts neatly into cabinet		
	Refer to pages 294 – 295 for SOMM, Freestanding and Wall-Mount Magnification Mirrors.		
	IQ™ Digital Lock Box		
	For use with 16" W cabinets	DLB-16	\$ 399.
	Handle Kit		
	Push-to-Open Mechanism	MPUSHKIT	\$ 99.
	Accessory Glass Bins		
	Small, 3-1/4" W x 3-1/4" L	GLASSBIN3.25	\$ 49.
	Medium, 3-1/4" W x 5-1/4" L	GLASSBIN5.25	\$ 49.
	Large, 3-1/4" W x 8-1/2" L	GLASSBIN8.5	\$ 49.
	Accessory Trays		
	Razor/Phone Holder	MA-TRAY2.5	\$ 29.
	3" Accessory Tray	MA-TRAY3	\$ 29.
	5" Accessory Tray	MA-TRAY5	\$ 29.
	Ganging Kit		
	Hardware required for installing 2 or 3 cabinets side-by-side	MGKIT	\$ 49.

Coordinating Options:

Profiles Modular Lights
Refer to pages 164 – 168.

Profiles Wall Mirrors
See pages 194 – 196.

Profiles Vanities
See pages 224 – 241.

SEE PAGES 75 – 76 FOR TIPS & FEATURES.

Profiles® Framed Cabinets – 20" W x 30" H



The bold metal frame makes a stunning first impression, while the clever storage solutions within – like integrated outlets, USB charging ports and a magnetic tool holder – create a lasting impact. Profiles medicine cabinets are gangable and can be easily combined to create additional storage space. If the extra space isn't necessary, pair with Profiles mirrors or Profiles lighting to achieve the perfect look.

- Limitless design solutions with ability to coordinate styling space above and below the sink
- No Upgrade and Electric Upgrade options
- Includes two USB charging outlets and two 120VAC outlets



Two Week
Lead Time



Modular



Electrical
Outlet

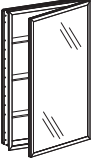
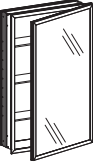


USB
Charging



Magnetic

20" W x 30" H Cabinets

Description	Model	FRAME FINISHES	
		76, 77 Price	82, 83 Price
4" Deep (D4): 19-1/4" W x 30" H (RO: 18-1/2" W x 29-1/4" H x 4" D)			
 Reversible Hinge	PC2030D4TNN __	\$ 1,379.	\$ 1,529.
Left – Electric Upgrade	PC2030D4TLE __	\$ 1,779.	\$ 1,929.
Right – Electric Upgrade	PC2030D4TRE __	\$ 1,779.	\$ 1,929.
6" Deep (D6): 19-1/4" W x 30" H (RO: 18-1/2" W x 29-1/4" H x 6" D)			
 Reversible Hinge	PC2030D6TNN __	\$ 1,679.	\$ 1,779.
Left – Electric Upgrade	PC2030D6TLE __	\$ 2,099.	\$ 2,229.
Right – Electric Upgrade	PC2030D6TRE __	\$ 2,099.	\$ 2,229.

Frame Finish Options

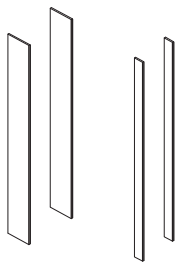
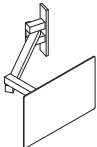

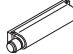
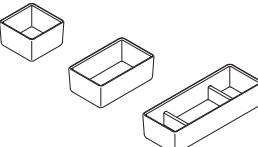
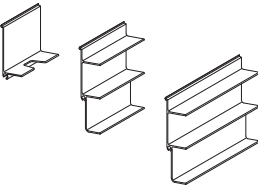
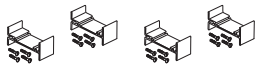
Fill in __ designator to Model listed above with desired finish. Example: PC2030D6TNN76.

- 76 Chrome
- 77 Polished Nickel
- 82 Matte Gold
- 83 Matte Black

See Accessories & Options on the following page.

Profiles® Framed Cabinets – 20" W x 30" H

Add-On Accessories & Options

	Description	Model	Price
	Side Kits for 30" Cabinets Quantity 1 = Pair of Side Kits and Mounting Hardware		
	4" D – Surface-Mount, Polished Edge	MSMK30D4P	\$ 149.
	6" D – Surface-Mount, Polished Edge	MSMK30D6P	\$ 199.
	6" D – Semi-Recessed, Polished Edge	MSMK30D6SRP	\$ 149.
	See Bottom Kits on page 299.		
	POMM Magnification Mirror		
	Pull-Out Magnification Mirror	POMM	\$ 249.
	Magnifies at 3X and retracts neatly into cabinet		
	Refer to pages 294 – 295 for SOMM, Freestanding and Wall-Mount Magnification Mirrors.		
NEW!	IQ™ Digital Lock Box		
	For use with 20" W cabinets	DLB-20	\$ 399.
	Handle Kit		
	Push-to-Open Mechanism	MPUSHKIT	\$ 99.
	Accessory Glass Bins		
	Small, 3-1/4" W x 3-1/4" L	GLASSBIN3.25	\$ 49.
	Medium, 3-1/4" W x 5-1/4" L	GLASSBIN5.25	\$ 49.
	Large, 3-1/4" W x 8-1/2" L	GLASSBIN8.5	\$ 49.
	Accessory Trays		
	Razor/Phone Holder	MA-TRAY2.5	\$ 29.
	3" Accessory Tray	MA-TRAY3	\$ 29.
	5" Accessory Tray	MA-TRAY5	\$ 29.
	Ganging Kit	MGKIT	\$ 49.
	Hardware required for installing 2 or 3 cabinets side-by-side		

Coordinating Options:
 Profiles Modular Lights
 Refer to pages 164 – 168.
 Profiles Wall Mirrors
 See pages 194 – 196.
 Profiles Vanities
 See pages 224 – 241.

SEE PAGES 75 – 76 FOR TIPS & FEATURES.

Profiles® Framed Cabinets – 24" W x 30" H



The bold metal frame makes a stunning first impression, while the clever storage solutions within – like integrated outlets, USB charging ports and a magnetic tool holder – create a lasting impact. Profiles medicine cabinets are gangable and can be easily combined to create additional storage space. If the extra space isn't necessary, pair with Profiles mirrors or Profiles lighting to achieve the perfect look.

- Limitless design solutions with ability to coordinate styling space above and below the sink
- No Upgrade and Electric Upgrade options
- Includes two USB charging outlets and two 120VAC outlets



Two Week
Lead Time



Modular



Electrical
Outlet

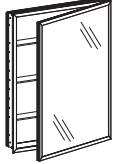
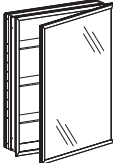


USB
Charging



Magnetic

24" W x 30" H Cabinets

Description	Model	FRAME FINISHES	
		76, 77 Price	82, 83 Price
4" Deep (D4): 23-1/4" W x 30" H (RO: 22-1/2" W x 29-1/4" H x 4" D)			
 Reversible Hinge	PC2430D4TNN __	\$ 1,529.	\$ 1,629.
Left – Electric Upgrade	PC2430D4TLE __	\$ 1,929.	\$ 2,049.
Right – Electric Upgrade	PC2430D4TRE __	\$ 1,929.	\$ 2,049.
6" Deep (D6): 23-1/4" W x 30" H (RO: 22-1/2" W x 29-1/4" H x 6" D)			
 Reversible Hinge	PC2430D6TNN __	\$ 1,779.	\$ 1,929.
Left – Electric Upgrade	PC2430D6TLE __	\$ 2,229.	\$ 2,329.
Right – Electric Upgrade	PC2430D6TRE __	\$ 2,229.	\$ 2,329.

Frame Finish Options

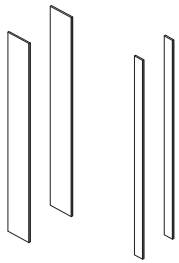
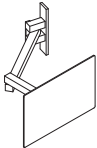

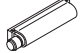
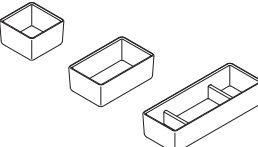
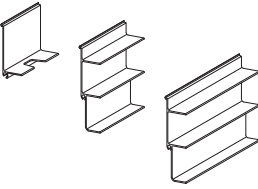

Fill in __ designator to Model listed above with desired finish. Example: PC2430D6TLE83.

- 76 Chrome
- 77 Polished Nickel
- 82 Matte Gold
- 83 Matte Black

See Accessories & Options on the following page.

Profiles® Framed Cabinets – 24" W x 30" H

Add-On Accessories & Options

	Description	Model	Price
	Side Kits for 30" Cabinets Quantity 1 = Pair of Side Kits and Mounting Hardware		
	4" D – Surface-Mount, Polished Edge	MSMK30D4P	\$ 149.
	6" D – Surface-Mount, Polished Edge	MSMK30D6P	\$ 199.
	6" D – Semi-Recessed, Polished Edge	MSMK30D6SRP	\$ 149.
	See Bottom Kits on page 299.		
	POMM Magnification Mirror		
	Pull-Out Magnification Mirror	POMM	\$ 249.
	Magnifies at 3X and retracts neatly into cabinet		
	Refer to pages 294 – 295 for SOMM, Freestanding and Wall-Mount Magnification Mirrors.		
	IQ™ Digital Lock Box		
	For use with 24" W cabinets	DLB-24	\$ 399.
	Handle Kit		
	Push-to-Open Mechanism	MPUSHKIT	\$ 99.
	Accessory Glass Bins		
	Small, 3-1/4" W x 3-1/4" L	GLASSBIN3.25	\$ 49.
	Medium, 3-1/4" W x 5-1/4" L	GLASSBIN5.25	\$ 49.
	Large, 3-1/4" W x 8-1/2" L	GLASSBIN8.5	\$ 49.
	Accessory Trays		
	Razor/Phone Holder	MA-TRAY2.5	\$ 29.
	3" Accessory Tray	MA-TRAY3	\$ 29.
	5" Accessory Tray	MA-TRAY5	\$ 29.
	Ganging Kit		
	Hardware required for installing 2 or 3 cabinets side-by-side	MGKIT	\$ 49.

Coordinating Options:

Profiles Modular Lights
Refer to pages 164 – 168.

Profiles Wall Mirrors
See pages 194 – 196.

Profiles Vanities
See pages 224 – 241.

SEE PAGES 75 – 76 FOR TIPS & FEATURES.

Profiles® Framed Cabinets – 12" W x 40" H



The bold metal frame makes a stunning first impression, while the clever storage solutions within – like integrated outlets, USB charging ports and a magnetic tool holder – create a lasting impact. Profiles medicine cabinets are gangable and can be easily combined to create additional storage space. If the extra space isn't necessary, pair with Profiles mirrors or Profiles lighting to achieve the perfect look.

- Limitless design solutions with ability to coordinate styling space above and below the sink
- No Upgrade and Electric Upgrade options
- Includes two USB charging outlets and two 120VAC outlets



Two Week
Lead Time



Modular



Electrical
Outlet





USB
Charging



Magnetic

12" W x 40" H Cabinets

Description	Model	FRAME FINISHES	
		76, 77 Price	82, 83 Price
4" Deep (D4): 11-1/4" W x 39-3/8" H (RO: 10-1/2" W x 38-5/8" H x 4" D)			
 Reversible Hinge	PC1240D4TNN __	\$ 1,379.	\$ 1,529.
Left – Electric Upgrade	PC1240D4TLE __	\$ 1,779.	\$ 1,929.
Right – Electric Upgrade	PC1240D4TRE __	\$ 1,779.	\$ 1,929.
6" Deep (D6): 11-1/4" W x 39-3/8" H (RO: 10-1/2" W x 38-5/8" H x 6" D)			
 Reversible Hinge	PC1240D6TNN __	\$ 1,679.	\$ 1,779.
Left – Electric Upgrade	PC1240D6TLE __	\$ 2,099.	\$ 2,229.
Right – Electric Upgrade	PC1240D6TRE __	\$ 2,099.	\$ 2,229.

Frame Finish Options

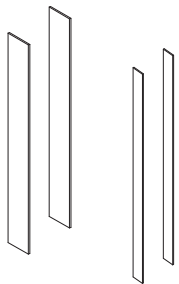
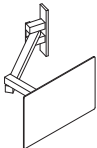
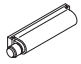
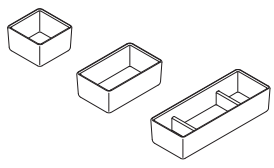
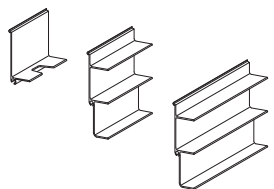
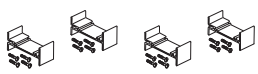
Fill in __ designator to Model listed above with desired finish. Example: PC1240D4TLE77.

- 76 Chrome
- 77 Polished Nickel
- 82 Matte Gold
- 83 Matte Black

See Accessories & Options on the following page.

Profiles® Framed Cabinets – 12" W x 40" H

Add-On Accessories & Options

	Description	Model	Price
	Side Kits for 40" Cabinets Quantity 1 = Pair of Side Kits and Mounting Hardware		
	4" D – Surface-Mount, Polished Edge	MSMK40D4P	\$ 249.
	6" D – Surface-Mount, Polished Edge	MSMK40D6P	\$ 349.
	6" D – Semi-Recessed, Polished Edge	MSMK40D6SRP	\$ 249.
	See Bottom Kits on page 299.		
	POMM Magnification Mirror		
	Pull-Out Magnification Mirror	POMM	\$ 249.
	Magnifies at 3X and retracts neatly into cabinet		
	Refer to pages 294 – 295 for SOMM, Freestanding and Wall-Mount Magnification Mirrors.		
	Handle Kit		
	Push-to-Open Mechanism	MPUSHKIT	\$ 99.
	Accessory Glass Bins		
	Small, 3-1/4" W x 3-1/4" L	GLASSBIN3.25	\$ 49.
	Medium, 3-1/4" W x 5-1/4" L	GLASSBIN5.25	\$ 49.
	Large, 3-1/4" W x 8-1/2" L	GLASSBIN8.5	\$ 49.
	Accessory Trays		
	Razor/Phone Holder	MA-TRAY2.5	\$ 29.
	3" Accessory Tray	MA-TRAY3	\$ 29.
	5" Accessory Tray	MA-TRAY5	\$ 29.
	Ganging Kit		
	Hardware required for installing 2 or 3 cabinets side-by-side	MGKIT	\$ 49.

Coordinating Options:
 Profiles Modular Lights
 Refer to pages 164 – 168.
 Profiles Wall Mirrors
 See pages 194 – 196.
 Profiles Vanities
 See pages 224 – 241.

SEE PAGES 75 – 76 FOR TIPS & FEATURES.

Profiles® Framed Cabinets – 16" W x 40" H



The bold metal frame makes a stunning first impression, while the clever storage solutions within – like integrated outlets, USB charging ports and a magnetic tool holder – create a lasting impact. Profiles medicine cabinets are gangable and can be easily combined to create additional storage space. If the extra space isn't necessary, pair with Profiles mirrors or Profiles lighting to achieve the perfect look.

- Limitless design solutions with ability to coordinate styling space above and below the sink
- No Upgrade and Electric Upgrade options
- Includes two USB charging outlets and two 120VAC outlets



Two Week
Lead Time



Modular



Electrical
Outlet

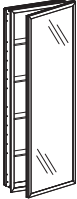
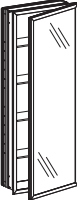


USB
Charging



Magnetic

16" W x 40" H Cabinets

Description	Model	FRAME FINISHES	
		76, 77 Price	82, 83 Price
4" Deep (D4): 15-1/4" W x 39-3/8" H (RO: 14-1/2" W x 38-5/8" H x 4" D)			
 Reversible Hinge	PC1640D4TNN __	\$ 1,529.	\$ 1,629.
Left – Electric Upgrade	PC1640D4TLE __	\$ 1,929.	\$ 2,049.
Right – Electric Upgrade	PC1640D4TRE __	\$ 1,929.	\$ 2,049.
6" Deep (D6): 15-1/4" W x 39-3/8" H (RO: 14-1/2" W x 38-5/8" H x 6" D)			
 Reversible Hinge	PC1640D6TNN __	\$ 1,779.	\$ 1,929.
Left – Electric Upgrade	PC1640D6TLE __	\$ 2,229.	\$ 2,329.
Right – Electric Upgrade	PC1640D6TRE __	\$ 2,229.	\$ 2,329.

Frame Finish Options

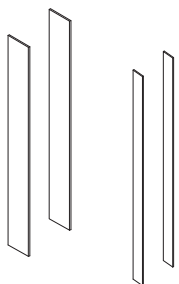
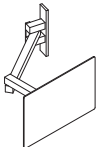
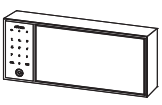
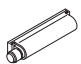
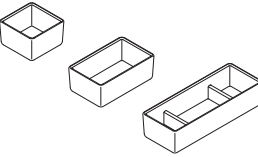
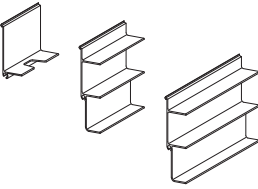

Fill in __ designator to Model listed above with desired finish. Example: PC1640D4TRE82.

- 76 Chrome
- 77 Polished Nickel
- 82 Matte Gold
- 83 Matte Black

See Accessories & Options on the following page.

Profiles® Framed Cabinets – 16" W x 40" H

Add-On Accessories & Options

	Description	Model	Price
	Side Kits for 40" Cabinets Quantity 1 = Pair of Side Kits and Mounting Hardware		
	4" D – Surface-Mount, Polished Edge	MSMK40D4P	\$ 249.
	6" D – Surface-Mount, Polished Edge	MSMK40D6P	\$ 349.
	6" D – Semi-Recessed, Polished Edge	MSMK40D6SRP	\$ 249.
	See Bottom Kits on page 299.		
	POMM Magnification Mirror		
	Pull-Out Magnification Mirror	POMM	\$ 249.
	Magnifies at 3X and retracts neatly into cabinet		
	Refer to pages 294 – 295 for SOMM, Freestanding and Wall-Mount Magnification Mirrors.		
	IQ™ Digital Lock Box		
	For use with 16" W cabinets	DLB-16	\$ 399.
	Handle Kit		
	Push-to-Open Mechanism	MPUSHKIT	\$ 99.
	Accessory Glass Bins		
	Small, 3-1/4" W x 3-1/4" L	GLASSBIN3.25	\$ 49.
	Medium, 3-1/4" W x 5-1/4" L	GLASSBIN5.25	\$ 49.
	Large, 3-1/4" W x 8-1/2" L	GLASSBIN8.5	\$ 49.
	Accessory Trays		
	Razor/Phone Holder	MA-TRAY2.5	\$ 29.
	3" Accessory Tray	MA-TRAY3	\$ 29.
	5" Accessory Tray	MA-TRAY5	\$ 29.
	Ganging Kit	MGKIT	\$ 49.
	Hardware required for installing 2 or 3 cabinets side-by-side		

Coordinating Options:
 Profiles Modular Lights
 Refer to pages 164 – 168.
 Profiles Wall Mirrors
 See pages 194 – 196.
 Profiles Vanities
 See pages 224 – 241.

SEE PAGES 75 – 76 FOR TIPS & FEATURES.

Profiles® Framed Cabinets – 20" W x 40" H



The bold metal frame makes a stunning first impression, while the clever storage solutions within – like integrated outlets, USB charging ports and a magnetic tool holder – create a lasting impact. Profiles medicine cabinets are gangable and can be easily combined to create additional storage space. If the extra space isn't necessary, pair with Profiles mirrors or Profiles lighting to achieve the perfect look.

- Limitless design solutions with ability to coordinate styling space above and below the sink
- No Upgrade and Electric Upgrade options
- Includes two USB charging outlets and two 120VAC outlets



Two Week
Lead Time



Modular



Electrical
Outlet

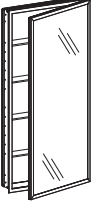



USB
Charging



Magnetic

20" W x 40" H Cabinets

Description	Model	FRAME FINISHES	
		76, 77 Price	82, 83 Price
4" Deep (D4): 19-1/4" W x 39-3/8" H (RO: 18-1/2" W x 38-5/8" H x 4" D)			
 Reversible Hinge	PC2040D4TNN __	\$ 1,629.	\$ 1,729.
Left – Electric Upgrade	PC2040D4TLE __	\$ 2,049.	\$ 2,179.
Right – Electric Upgrade	PC2040D4TRE __	\$ 2,049.	\$ 2,179.
6" Deep (D6): 19-1/4" W x 39-3/8" H (RO: 18-1/2" W x 38-5/8" H x 6" D)			
 Reversible Hinge	PC2040D6TNN __	\$ 1,929.	\$ 2,049.
Left – Electric Upgrade	PC2040D6TLE __	\$ 2,329.	\$ 2,449.
Right – Electric Upgrade	PC2040D6TRE __	\$ 2,329.	\$ 2,449.

Frame Finish Options

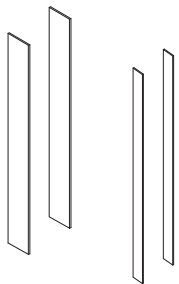
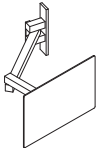
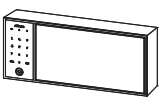
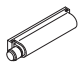
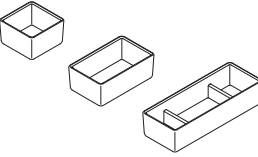
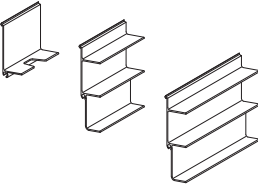

Fill in __ designator to Model listed above with desired finish. Example: PC2040D6TNN76.

- 76 Chrome
- 77 Polished Nickel
- 82 Matte Gold
- 83 Matte Black

See Accessories & Options on the following page.

Profiles® Framed Cabinets – 20" W x 40" H

Add-On Accessories & Options

	Description	Model	Price
	Side Kits for 40" Cabinets Quantity 1 = Pair of Side Kits and Mounting Hardware		
	4" D – Surface-Mount, Polished Edge	MSMK40D4P	\$ 249.
	6" D – Surface-Mount, Polished Edge	MSMK40D6P	\$ 349.
	6" D – Semi-Recessed, Polished Edge	MSMK40D6SRP	\$ 249.
	See Bottom Kits on page 299.		
	POMM Magnification Mirror		
	Pull-Out Magnification Mirror	POMM	\$ 249.
	Magnifies at 3X and retracts neatly into cabinet		
	Refer to pages 294 – 295 for SOMM, Freestanding and Wall-Mount Magnification Mirrors.		
	IQ™ Digital Lock Box		
	For use with 20" W cabinets	DLB-20	\$ 399.
	Handle Kit		
	Push-to-Open Mechanism	MPUSHKIT	\$ 99.
	Accessory Glass Bins		
	Small, 3-1/4" W x 3-1/4" L	GLASSBIN3.25	\$ 49.
	Medium, 3-1/4" W x 5-1/4" L	GLASSBIN5.25	\$ 49.
	Large, 3-1/4" W x 8-1/2" L	GLASSBIN8.5	\$ 49.
	Accessory Trays		
	Razor/Phone Holder	MA-TRAY2.5	\$ 29.
	3" Accessory Tray	MA-TRAY3	\$ 29.
	5" Accessory Tray	MA-TRAY5	\$ 29.
	Ganging Kit		
	Hardware required for installing 2 or 3 cabinets side-by-side	MGKIT	\$ 49.

Coordinating Options:

- Profiles Modular Lights
Refer to pages 164 – 168.
- Profiles Wall Mirrors
See pages 194 – 196.
- Profiles Vanities
See pages 224 – 241.

SEE PAGES 75 – 76 FOR TIPS & FEATURES.

Profiles® Framed Cabinets – 24" W x 40" H



The bold metal frame makes a stunning first impression, while the clever storage solutions within – like integrated outlets, USB charging ports and a magnetic tool holder – create a lasting impact. Profiles medicine cabinets are gangable and can be easily combined to create additional storage space. If the extra space isn't necessary, pair with Profiles mirrors or Profiles lighting to achieve the perfect look.

- Limitless design solutions with ability to coordinate styling space above and below the sink
- No Upgrade and Electric Upgrade options
- Includes two USB charging outlets and two 120VAC outlets



Two Week
Lead Time



Modular



Electrical
Outlet



USB
Charging



Magnetic

24" W x 40" H Cabinets

Description	Model	FRAME FINISHES		
		76, 77 Price	82, 83 Price	
4" Deep (D4): 23-1/4" W x 39-3/8" H (RO: 22-1/2" W x 38-5/8" H x 4" D)				
	Reversible Hinge	PC2440D4TNN __	\$ 1,729.	\$ 1,879.
	Left – Electric Upgrade	PC2440D4TLE __	\$ 2,179.	\$ 2,279.
	Left – Electric Upgrade, IQ™ Digital Lock Box	QPC2440D4TLE __ NEW!	\$ 2,578.	\$ 2,678.
	Right – Electric Upgrade	PC2440D4TRE __	\$ 2,179.	\$ 2,279.
	Right – Electric Upgrade, IQ Digital Lock Box	QPC2440D4TRE __ NEW!	\$ 2,578.	\$ 2,678.
6" Deep (D6): 23-1/4" W x 39-3/8" H (RO: 22-1/2" W x 38-5/8" H x 6" D)				
	Reversible Hinge	PC2440D6TNN __	\$ 2,049.	\$ 2,179.
	Left – Electric Upgrade	PC2440D6TLE __	\$ 2,449.	\$ 2,579.
	Right – Electric Upgrade	PC2440D6TRE __	\$ 2,449.	\$ 2,579.

Frame Finish Options

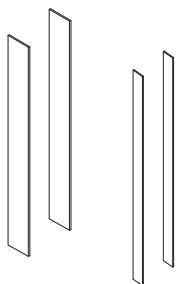
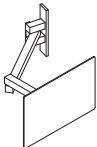
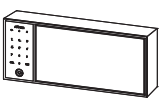
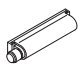
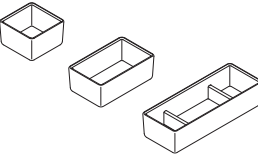
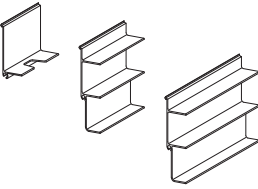

Fill in __ designator to Model listed above with desired finish. Example: PC2440D6TLE83.

- 76 Chrome
- 77 Polished Nickel
- 82 Matte Gold
- 83 Matte Black

See Accessories & Options on the following page.

Profiles® Framed Cabinets – 24" W x 40" H

Add-On Accessories & Options

	Description	Model	Price
	Side Kits for 40" Cabinets Quantity 1 = Pair of Side Kits and Mounting Hardware		
	4" D – Surface-Mount, Polished Edge	MSMK40D4P	\$ 249.
	6" D – Surface-Mount, Polished Edge	MSMK40D6P	\$ 349.
	6" D – Semi-Recessed, Polished Edge	MSMK40D6SRP	\$ 249.
	See Bottom Kits on page 299.		
	POMM Magnification Mirror		
	Pull-Out Magnification Mirror	POMM	\$ 249.
	Magnifies at 3X and retracts neatly into cabinet		
	Refer to pages 294 – 295 for SOMM, Freestanding and Wall-Mount Magnification Mirrors.		
	IQ™ Digital Lock Box		
	For use with 24" W cabinets	DLB-24	\$ 399.
	Handle Kit		
	Push-to-Open Mechanism	MPUSHKIT	\$ 99.
	Accessory Glass Bins		
	Small, 3-1/4" W x 3-1/4" L	GLASSBIN3.25	\$ 49.
	Medium, 3-1/4" W x 5-1/4" L	GLASSBIN5.25	\$ 49.
	Large, 3-1/4" W x 8-1/2" L	GLASSBIN8.5	\$ 49.
	Accessory Trays		
	Razor/Phone Holder	MA-TRAY2.5	\$ 29.
	3" Accessory Tray	MA-TRAY3	\$ 29.
	5" Accessory Tray	MA-TRAY5	\$ 29.
	Ganging Kit		
	Hardware required for installing 2 or 3 cabinets side-by-side	MGKIT	\$ 49.

Coordinating Options:
 Profiles Modular Lights
 Refer to pages 164 – 168.
 Profiles Wall Mirrors
 See pages 194 – 196.
 Profiles Vanities
 See pages 224 – 241.

SEE PAGES 75 – 76 FOR TIPS & FEATURES.

Profiles® Framed Cabinets – 16", 20" & 24" W x 48" H



The bold metal frame makes a stunning first impression, while the clever storage solutions within – like integrated outlets, USB charging ports and a magnetic tool holder – create a lasting impact. Profiles medicine cabinets are gangable and can be easily combined to create additional storage space.

- Limitless design solutions with ability to coordinate styling space above and below the sink
- No Upgrade and Electric Upgrade options
- Includes two USB charging outlets and two 120VAC outlets



Two Week Lead Time



Modular



Electrical Outlet


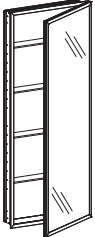
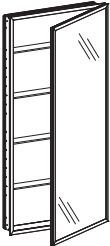


USB Charging



Magnetic

48" H Cabinets

Description	Model	FRAME FINISHES	
		76, 77 Price	82, 83 Price
16" W, 4" Deep (D4): 15-1/4" W x 48" H (RO: 14-1/2" W x 47-1/4" H x 4" D)			
 Reversible Hinge	PC1648D4TNN __	\$ 1,779.	\$ 1,879.
Left – Electric Upgrade	PC1648D4TLE __	\$ 2,199.	\$ 2,299.
Right – Electric Upgrade	PC1648D4TRE __	\$ 2,199.	\$ 2,299.
20" W, 4" Deep (D4): 19-1/4" W x 48" H (RO: 18-1/2" W x 47-1/4" H x 4" D)			
 Reversible Hinge	PC2048D4TNN __	\$ 1,879.	\$ 1,979.
Left – Electric Upgrade	PC2048D4TLE __	\$ 2,299.	\$ 2,429.
Right – Electric Upgrade	PC2048D4TRE __	\$ 2,299.	\$ 2,429.
24" W, 4" Deep (D4): 23-1/4" W x 48" H (RO: 22-1/2" W x 47-1/4" H x 4" D)			
 Reversible Hinge	PC2448D4TNN __	\$ 1,979.	\$ 2,129.
Left – Electric Upgrade	PC2448D4TLE __	\$ 2,429.	\$ 2,529.
Right – Electric Upgrade	PC2448D4TRE __	\$ 2,429.	\$ 2,529.

Frame Finish Options


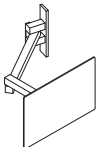
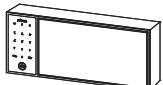
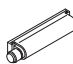
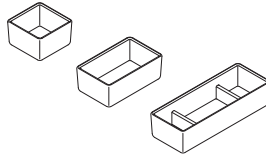
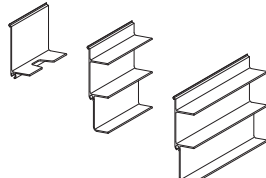

Fill in __ designator to Model listed above with desired finish. Example: PC2448D4TLE77.

- 76 Chrome
- 77 Polished Nickel
- 82 Matte Gold
- 83 Matte Black

See Accessories & Options on the following page.

Profiles® Framed Cabinets – 16", 20" & 24" W x 48" H

Add-On Accessories & Options

	Description	Model	Price
	Surface-Mount Kit for 48" Cabinets Quantity 1 = Pair of Side Kits and Mounting Hardware		
	4" D – Surface-Mount, Polished Edge	MSMK48D4P	\$ 329.
	See Bottom Kits on page 299.		
	POMM Magnification Mirror		
	Pull-Out Magnification Mirror	POMM	\$ 249.
	Magnifies at 3X and retracts neatly into cabinet		
	Refer to pages 294 – 295 for SOMM, Freestanding and Wall-Mount Magnification Mirrors.		
	IQ™ Digital Lock Box		
	For use with 16" W cabinets	DLB-16	\$ 399.
	For use with 20" W cabinets	DLB-20	\$ 399.
	For use with 24" W cabinets	DLB-24	\$ 399.
	Handle Kit		
	Push-to-Open Mechanism	MPUSHKIT	\$ 99.
	Accessory Glass Bins		
	Small, 3-1/4" W x 3-1/4" L	GLASSBIN3.25	\$ 49.
	Medium, 3-1/4" W x 5-1/4" L	GLASSBIN5.25	\$ 49.
	Large, 3-1/4" W x 8-1/2" L	GLASSBIN8.5	\$ 49.
	Accessory Trays		
	Razor/Phone Holder	MA-TRAY2.5	\$ 29.
	3" Accessory Tray	MA-TRAY3	\$ 29.
	5" Accessory Tray	MA-TRAY5	\$ 29.
	Ganging Kit	MGKIT	\$ 49.
	Hardware required for installing 2 or 3 cabinets side-by-side		

Coordinating Options:
Profiles Vanities
See pages 224 – 241.

SEE PAGES 75 – 76 FOR TIPS & FEATURES.

M Series Cabinets – Table of Contents, Tips & Features

Table of Contents

M Series Tips & Features	96 – 97
M Series Cabinet Worksheet	98
30" High Cabinets	100 – 107
12" Wide	100 – 101
16" Wide	102 – 103
20" Wide	104 – 105
24" Wide	106 – 107
40" High Cabinets	108 – 115
12" Wide	108 – 109
16" Wide	110 – 111
20" Wide	112 – 113
24" Wide	114 – 115
70" High Cabinets	116 – 119
16" Wide	116 – 117
20" Wide	118 – 119
Lighting Options	160 – 175
Cabinet Accessories	293 – 299
Cabinet Ganging Reference	37

Tips & Features

Dimensions & Weight

- Dimensions (W x H):
 - 11-1/4" x 30" (286 mm x 762 mm) – Flat Top
 - 11-1/4" x 39-3/8" (286 mm x 1000 mm) – Flat Top
 - 15-1/4" x 30" (387 mm x 762 mm) – Flat Top
 - 15-1/4" x 34" (387 mm x 864 mm) – Arch Top
 - 15-1/4" x 39-3/8" (387 mm x 1000 mm) – Flat Top
 - 15-1/4" x 43-3/8" (387 mm x 1102 mm) – Arch Top
 - 15-1/4" x 70" (387 mm x 1778 mm) – Full Length
 - 19-1/4" x 30" (489 mm x 762 mm) – Flat Top
 - 19-1/4" x 34" (489 mm x 864 mm) – Arch Top
 - 19-1/4" x 39-3/8" (489 mm x 1000 mm) – Flat Top
 - 19-1/4" x 43-3/8" (489 mm x 1102 mm) – Arch Top
 - 19-1/4" x 70" (489 mm x 1778 mm) – Full Length
 - 23-1/4" x 30" (591 mm x 762 mm) – Flat Top
 - 23-1/4" x 34" (591 mm x 864 mm) – Arch Top
 - 23-1/4" x 39-3/8" (591 mm x 1000 mm) – Flat Top
 - 23-1/4" x 43-3/8" (591 mm x 1102 mm) – Arch Top

Dimensions & Weight (Continued)

- Depth: 4" (102 mm), 6" (152 mm), 8" (203 mm)
(12" W cabinets available only in 4" & 6" depths)
- Net Weight (Lbs): 26 – 165 lbs



M Series Cabinets – Tips & Features

Configurable Options

- Mirror Styles: Flat Top, Arch Top, Full Length
- Edge Type: Polished Edge or Bevel Edge for Flat Top; Arch Top is Bevel Edge only
- Hinge Side: Left or Right
- Upgrade Options:
 - No Upgrade
 - Electric Upgrade (Interior Lighting, Electrical Outlets, USB Charging Ports)
 - Electric+ Upgrade (Interior Lighting, Electrical Outlets, USB Charging Ports, Night Light, Defogger)
- Glass Color (for 70" H only):
 - Mirror, 12 Decorative Gloss and Matte Finishes

Features & Benefits

- Most feature-rich cabinet on the market
- Flat Top available in 3/4" bevel or polished edge mirror door
- Arch Top in 3/4" bevel edge mirror door
- Sensor controlled interior LED light (E2, E4)
- Programmable night light (E4)
- Built-in mirror defogger prevents steaming. Turn on with a push of a button and built with a 45 minute timer (E4)
- Electric option includes one USB charging port and one 15A, 120VAC outlet (2 plugs)
- 8" deep, 70" H cabinets include chrome wire basket
- Includes magnetic tool holder (except 12" W electric options), razor/phone holder and 3 tier tray
- Designed to seamlessly fit in your cabinet, the optional IQ™ Digital Lock Box features improved technology to keep your most important items secure. With key code entry, remote access, and tamper notifications via smartphone, you will have total control over your personal items **NEW!**
- Constructed to operate in high humidity or damp spaces. ETL/UL Certified for damp locations to UL 962, CSA Standard C22.2 No. 68

Construction

- Durable rust-free anodized aluminum and glass construction – resists intense moisture, ensuring long-lasting beauty
- Satin anodized aluminum body
- Quiet close Safeseal™ Gasket with sealed corners on cabinet body
- 3 mirror design – rear of cabinet and both sides of door
- Concealed finger pull-door edge

Construction (Continued)

- Door opening angle 170 degrees (110 with provided stop): Blum self-closing hinges
- Adjustable shelving at 2" (51 mm) increments: 3 shelves for 30" H, 4 shelves for 40" H
- 1/4" (6 mm) thick adjustable clear glass shelves
- Magnetic area provided in the rail of the cabinet
- Arch doors extend 4" above cabinet

Installation

- Recessed, semi-recessed or surface-mount installation (6" and 8" deep cabinets can be semi-recessed by 4")
- Cabinets include hardware for recessed installation. Surface-mount and semi-recess installations require the purchase of a kit which includes the side kit as well as mounting hardware.
- Recessed cabinets project 7/8" from wall and must be recessed no less than 3-3/4" deep
- When ganging two or more 70" H full length cabinets, the use of a MHANDLEKIT or MPUSHKIT on one cabinet is required.
- MGKIT includes hardware to gang both sides of a cabinet. As a result, three cabinets can be ganged together from one MGKIT.
- All cabinets require the customer to select the hinge side for their cabinet: Left or Right = hinge side when facing cabinet.

Accessories

- IQ Digital Lock Box (DLB-16, DLB-20, DLB-24), **NEW!** not for use with 12" W cabinets
- Entice® Magnification Mirror (ENTICE, ENTICEDOCK)
- Pull-Out Magnification Mirror (POMM)
- Swing-Out Magnification Mirror (SOMM)
- Compact Adjustable Magnification Mirror (CAMM)
- Chrome Handle Kit (MHANDLEKIT)
- Push-to-Open Kit (MPUSHKIT)
- Glass Bins (GLASSBIN3.25, GLASSBIN5.25, GLASSBIN8.5)
- Razor/Phone Holder (MA-TRAY2.5)
- 3" and 5" Accessory Tray (MA-TRAY3, MA-TRAY5)
- Stacking Filler System (MSF-*)
- Bottom Kit (MBK__D_A, MBK__D_ASR)
- Surface-Mount Kit (MSMK30D__, MSMK40D__, MSMK70D__)
- Ganging Kit (MGKIT, MGKIT70)



M Series Cabinet Worksheet

FEATURES

MODEL MC

Select Dimension (W x H):

12" x 30"	1230
12" x 40"	1240
16" x 30"	1630
16" x 40"	1640
16" x 70"	1670
20" x 30"	2030
20" x 40"	2040
20" x 70"	2070
24" x 30"	2430
24" x 40"	2440

Select Depth:

4"	D4*
6"	D6*
8"	D8

Select Mirror Style:

Flat Top, Polished Edge	FP
Flat Top, Bevel Edge	FB
Arch Top, Bevel Edge	AB

Flat Top, Decorative Glass Color
(see selection below)

##

Select Glass Color:**

Essentials Palette**

Tinted Gray Mirror	11
Black	20
White	21

Classic Palette**

Beach	22
Matte White	26
Matte Gray	27
Matte Black	28

Inspire Palette**

Satin Bronze	12
Satin White	19
Ocean	23
Smoke Screen	24
Silver Screen	25

Select Hinge Side:

Left	L
Right	R

Select Upgrade Option:

No Upgrade – leave blank with no space	—
Electric Upgrade, Includes Interior Lighting, Electrical Outlets USB Charging Port	E2
Electric+ Upgrade, Includes Interior Lighting, Electrical Outlets USB Charging Port Night Light, Defogger	E4

Notes:

- * 12" W cabinet available in 4" or 6" depth only.
- ** Decorative Glass Color available in 70" H only.

CUSTOMER INFORMATION

Name _____

Address _____

City/State/Zip _____

Telephone _____

Date Ordered _____

M Series Cabinets – 12" W x 30" H



Introducing the most diverse cabinet line in the market. Marrying a luxurious medicine cabinet design with enhanced experiences, the M Series Collection is rich with possibilities for technology, style and storage.

- **Electric Upgrade:** Optional for all M Series cabinets. Includes sensor controlled interior LED lighting, 2 electrical plugs and USB charging port.
- **Electric+ Upgrade:** Optional for 16" W, 20" W and 24" W cabinets. Includes sensor controlled interior LED lighting, 2 electrical plugs and USB charging port; programmable night light and defogger with 45-minute timer.



Available in a 2-week to 4-week lead time



Modular



Electrical Outlet



USB Charging



Interior Lighting



Magnetic



Magnification Mirror

12" W x 30" H Cabinets

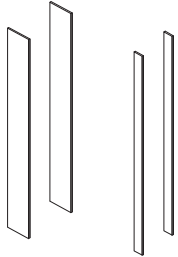

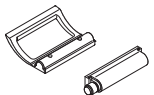
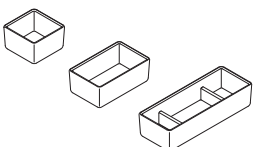
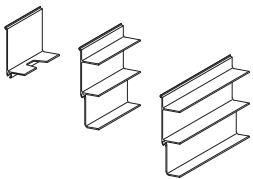

	Description	Polished Edge	Bevel Edge	Price
4" Deep (D4): 11-1/4" W x 30" H (RO: 10-1/2" W x 29-1/4" H x 4" D)				
	Left – No Upgrade	MC1230D4FPL	MC1230D4FBL	\$ 879.
	Right – No Upgrade	MC1230D4FPR	MC1230D4FBR	\$ 879.
	Left – Electric Upgrade	MC1230D4FPLE2	MC1230D4FBLE2	\$ 1,299.
	Right – Electric Upgrade	MC1230D4FPRE2	MC1230D4FBRE2	\$ 1,299.
6" Deep (D6): 11-1/4" W x 30" H (RO: 10-1/2" W x 29-1/4" H x 6" D)				
	Left – No Upgrade	MC1230D6FPL	MC1230D6FBL	\$ 1,149.
	Right – No Upgrade	MC1230D6FPR	MC1230D6FBR	\$ 1,149.
	Left – Electric Upgrade	MC1230D6FPLE2	MC1230D6FBLE2	\$ 1,599.
	Right – Electric Upgrade	MC1230D6FPRE2	MC1230D6FBRE2	\$ 1,599.

Note: Models in **bold** indicate Quick Ship product.

See Accessories & Options on the following page.

M Series Cabinets – 12" W x 30" H

Add-On Accessories & Options

	Description	Model	Price
	Side Kits for 30" Cabinets Quantity 1 = Pair of Side Kits and Mounting Hardware		
	4" D – Surface-Mount, Polished Edge	MSMK30D4P	\$ 149.
	6" D – Surface-Mount, Polished Edge	MSMK30D6P	\$ 199.
	6" D – Semi-Recessed, Polished Edge	MSMK30D6SRP	\$ 149.
	See Bottom Kits on page 299.		
	Magnification Mirror		
	Compact adjustable 5X magnification mirror	CAMM	\$ 49.
	See page 294 for Freestanding and Wall-Mount Magnification Mirrors.		
	Handle Kits		
	Chrome Handle or Push-to-Open Mechanism	MHANDLEKIT MPUSHKIT	\$ 179. \$ 99.
	Accessory Glass Bins		
	Small, 3-1/4" W x 3-1/4" L	GLASSBIN3.25	\$ 49.
	Medium, 3-1/4" W x 5-1/4" L	GLASSBIN5.25	\$ 49.
	Large, 3-1/4" W x 8-1/2" L	GLASSBIN8.5	\$ 49.
	Accessory Trays		
	Razor/Phone Holder	MA-TRAY2.5	\$ 29.
	3" Accessory Tray	MA-TRAY3	\$ 29.
	5" Accessory Tray	MA-TRAY5	\$ 29.
	Ganging Kit (30"/40" H)	MGKIT	\$ 49.
	Hardware required for installing 2 or 3 cabinets side-by-side		

Light Options include:
Modular Lights
Sconces
Refer to pages 160 – 175
for more information.

 **Note:** Models in **bold** indicate Quick Ship product.

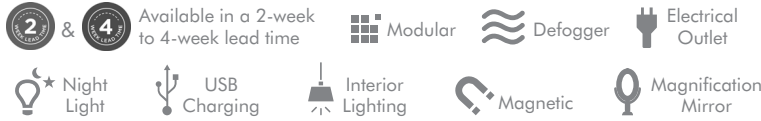
SEE PAGES 96 – 97 FOR TIPS & FEATURES.

M Series Cabinets – 16" W x 30" H



Introducing the most diverse cabinet line in the market. Marrying a luxurious medicine cabinet design with enhanced experiences, the M Series Collection is rich with possibilities for technology, style and storage.

- **Electric Upgrade:** Optional for all M Series cabinets. Includes sensor controlled interior LED lighting, 2 electrical plugs and USB charging port.
- **Electric+ Upgrade:** Optional for 16" W, 20" W and 24" W cabinets. Includes sensor controlled interior LED lighting, 2 electrical plugs and USB charging port; programmable night light and defogger with 45-minute timer.



16" W x 30" H Cabinets

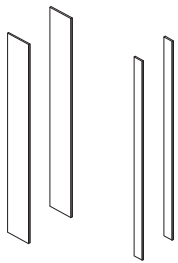
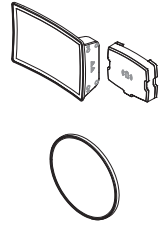
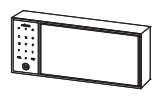
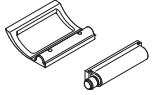
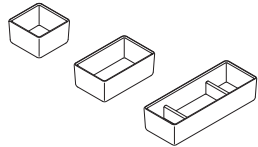
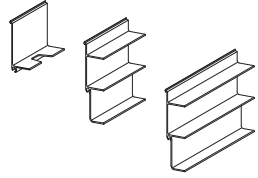

Description	Flat Top Polished Edge	Flat Top Bevel Edge	Price	Arch Top Bevel Edge	Price	
4" Deep (D4): 15-1/4" W x 30" H Flat, 34" H Arch (RO: 14-1/2" W x 29-1/4" H x 4" D)						
	Left – No Upgrade	MC1630D4FPL	MC1630D4FBL	\$ 979.	MC1630D4ABL	\$ 1,249.
	Right – No Upgrade	MC1630D4FPR	MC1630D4FBR	\$ 979.	MC1630D4ABR	\$ 1,249.
	Left – Electric Upgrade	MC1630D4FPLE2	MC1630D4FBLE2	\$ 1,449.	MC1630D4ABLE2	\$ 1,729.
	Right – Electric Upgrade	MC1630D4FPRE2	MC1630D4FBRE2	\$ 1,449.	MC1630D4ABRE2	\$ 1,729.
	Left – Electric+ Upgrade	MC1630D4FPLE4	MC1630D4FBLE4	\$ 1,779.	MC1630D4ABLE4	\$ 2,079.
	Right – Electric+ Upgrade	MC1630D4FPRE4	MC1630D4FBRE4	\$ 1,779.	MC1630D4ABRE4	\$ 2,079.
6" Deep (D6): 15-1/4" W x 30" H Flat, 34" H Arch (RO: 14-1/2" W x 29-1/4" H x 6" D)						
	Left – No Upgrade	MC1630D6FPL	MC1630D6FBL	\$ 1,249.	MC1630D6ABL	\$ 1,549.
	Right – No Upgrade	MC1630D6FPR	MC1630D6FBR	\$ 1,249.	MC1630D6ABR	\$ 1,549.
	Left – Electric Upgrade	MC1630D6FPLE2	MC1630D6FBLE2	\$ 1,729.	MC1630D6ABLE2	\$ 2,029.
	Right – Electric Upgrade	MC1630D6FPRE2	MC1630D6FBRE2	\$ 1,729.	MC1630D6ABRE2	\$ 2,029.
	Left – Electric+ Upgrade	MC1630D6FPLE4	MC1630D6FBLE4	\$ 2,079.	MC1630D6ABLE4	\$ 2,379.
	Right – Electric+ Upgrade	MC1630D6FPRE4	MC1630D6FBRE4	\$ 2,079.	MC1630D6ABRE4	\$ 2,379.
8" Deep (D8): 15-1/4" W x 30" H Flat, 34" H Arch (RO: 14-1/2" W x 29-1/4" H x 8" D)						
	Left – No Upgrade	MC1630D8FPL	MC1630D8FBL	\$ 1,349.	MC1630D8ABL	\$ 1,649.
	Right – No Upgrade	MC1630D8FPR	MC1630D8FBR	\$ 1,349.	MC1630D8ABR	\$ 1,649.
	Left – Electric Upgrade	MC1630D8FPLE2	MC1630D8FBLE2	\$ 1,829.	MC1630D8ABLE2	\$ 2,149.
	Right – Electric Upgrade	MC1630D8FPRE2	MC1630D8FBRE2	\$ 1,829.	MC1630D8ABRE2	\$ 2,149.
	Left – Electric+ Upgrade	MC1630D8FPLE4	MC1630D8FBLE4	\$ 2,199.	MC1630D8ABLE4	\$ 2,479.
	Right – Electric+ Upgrade	MC1630D8FPRE4	MC1630D8FBRE4	\$ 2,199.	MC1630D8ABRE4	\$ 2,479.

Note: Models in **bold** indicate Quick Ship product.

See Accessories & Options on the following page.

M Series Cabinets – 16" W x 30" H

Add-On Accessories & Options

	Description	Model	Price
	Side Kits for 30" Cabinets Quantity 1 = Pair of Side Kits and Mounting Hardware		
	4" D – Surface-Mount, Polished Edge	MSMK30D4P	\$ 149.
	6" D – Surface-Mount, Polished Edge	MSMK30D6P	\$ 199.
	6" D – Semi-Recessed, Polished Edge	MSMK30D6SRP	\$ 149.
	8" D – Surface-Mount, Polished Edge	MSMK30D8P	\$ 249.
	8" D – Semi-Recessed, Polished Edge	MSMK30D8SRP	\$ 149.
	See Bottom Kits on page 299.		
	Magnification Mirrors		
	Entice® 5X magnification mirror	ENTICE	\$ 449.
	Entice 5X magnification mirror with inductive charging dock	ENTICEDOCK	\$ 499.
	Compact adjustable 5X magnification mirror	CAMM	\$ 49.
	Refer to pages 294 – 295 for POMM, SOMM, Freestanding and Wall-Mount Magnification Mirrors.		
NEW!	IQ™ Digital Lock Box		
	For use with 16" W cabinets	DLB-16	\$ 399.
	Handle Kits		
	Chrome Handle or Push-to-Open Mechanism	MHANDLEKIT MPUSHKIT	\$ 179. \$ 99.
	Accessory Glass Bins		
	Small, 3-1/4" W x 3-1/4" L	GLASSBIN3.25	\$ 49.
	Medium, 3-1/4" W x 5-1/4" L	GLASSBIN5.25	\$ 49.
	Large, 3-1/4" W x 8-1/2" L	GLASSBIN8.5	\$ 49.
	Accessory Trays		
	Razor/Phone Holder	MA-TRAY2.5	\$ 29.
	3" Accessory Tray	MA-TRAY3	\$ 29.
	5" Accessory Tray	MA-TRAY5	\$ 29.
	Ganging Kit (30"/40" H)	MGKIT	\$ 49.
	Hardware required for installing 2 or 3 cabinets side-by-side		

Light Options include:
Modular Lights
Sconces
Refer to pages 160 – 175 for more information.

 **Note:** Models in **bold** indicate Quick Ship product.

SEE PAGES 96 – 97 FOR TIPS & FEATURES.

M Series Cabinets – 20" W x 30" H



Introducing the most diverse cabinet line in the market. Marrying a luxurious medicine cabinet design with enhanced experiences, the M Series Collection is rich with possibilities for technology, style and storage.

- Electric Upgrade: Optional for all M Series cabinets. Includes sensor controlled interior LED lighting, 2 electrical plugs and USB charging port.
- Electric+ Upgrade: Optional for 16" W, 20" W and 24" W cabinets. Includes sensor controlled interior LED lighting, 2 electrical plugs and USB charging port; programmable night light and defogger with 45-minute timer.

& Available in a 2-week to 4-week lead time
 Modular
 Defogger
 Electrical Outlet
 Night Light
 USB Charging
 Interior Lighting
 Magnetic
 Magnification Mirror

20" W x 30" H Cabinets

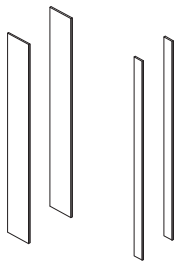
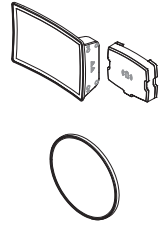

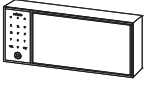
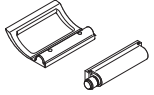
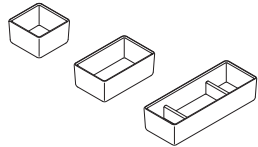
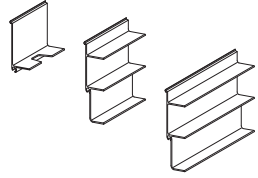

Description	Flat Top Polished Edge	Flat Top Bevel Edge	Price	Arch Top Bevel Edge	Price	
4" Deep (D4): 19-1/4" W x 30" H Flat, 34" H Arch (RO: 18-1/2" W x 29-1/4" H x 4" D)						
	Left – No Upgrade	MC2030D4FPL	MC2030D4FBL	\$ 1,149.	MC2030D4ABL	\$ 1,449.
	Right – No Upgrade	MC2030D4FPR	MC2030D4FBR	\$ 1,149.	MC2030D4ABR	\$ 1,449.
	Left – Electric Upgrade	MC2030D4FPLE2	MC2030D4FBLE2	\$ 1,599.	MC2030D4ABLE2	\$ 1,879.
	Right – Electric Upgrade	MC2030D4FPRE2	MC2030D4FBRE2	\$ 1,599.	MC2030D4ABRE2	\$ 1,879.
	Left – Electric+ Upgrade	MC2030D4FPLE4	MC2030D4FBLE4	\$ 1,929.	MC2030D4ABLE4	\$ 2,249.
	Right – Electric+ Upgrade	MC2030D4FPRE4	MC2030D4FBRE4	\$ 1,929.	MC2030D4ABRE4	\$ 2,249.
6" Deep (D6): 19-1/4" W x 30" H Flat, 34" H Arch (RO: 18-1/2" W x 29-1/4" H x 6" D)						
	Left – No Upgrade	MC2030D6FPL	MC2030D6FBL	\$ 1,449.	MC2030D6ABL	\$ 1,729.
	Right – No Upgrade	MC2030D6FPR	MC2030D6FBR	\$ 1,449.	MC2030D6ABR	\$ 1,729.
	Left – Electric Upgrade	MC2030D6FPLE2	MC2030D6FBLE2	\$ 1,879.	MC2030D6ABLE2	\$ 2,199.
	Right – Electric Upgrade	MC2030D6FPRE2	MC2030D6FBRE2	\$ 1,879.	MC2030D6ABRE2	\$ 2,199.
	Left – Electric+ Upgrade	MC2030D6FPLE4	MC2030D6FBLE4	\$ 2,249.	MC2030D6ABLE4	\$ 2,529.
	Right – Electric+ Upgrade	MC2030D6FPRE4	MC2030D6FBRE4	\$ 2,249.	MC2030D6ABRE4	\$ 2,529.
8" Deep (D8): 19-1/4" W x 30" H Flat, 34" H Arch (RO: 18-1/2" W x 29-1/4" H x 8" D)						
	Left – No Upgrade	MC2030D8FPL	MC2030D8FBL	\$ 1,549.	MC2030D8ABL	\$ 1,829.
	Right – No Upgrade	MC2030D8FPR	MC2030D8FBR	\$ 1,549.	MC2030D8ABR	\$ 1,829.
	Left – Electric Upgrade	MC2030D8FPLE2	MC2030D8FBLE2	\$ 2,029.	MC2030D8ABLE2	\$ 2,329.
	Right – Electric Upgrade	MC2030D8FPRE2	MC2030D8FBRE2	\$ 2,029.	MC2030D8ABRE2	\$ 2,329.
	Left – Electric+ Upgrade	MC2030D8FPLE4	MC2030D8FBLE4	\$ 2,379.	MC2030D8ABLE4	\$ 2,649.
	Right – Electric+ Upgrade	MC2030D8FPRE4	MC2030D8FBRE4	\$ 2,379.	MC2030D8ABRE4	\$ 2,649.

Note: Models in **bold** indicate Quick Ship product.

See Accessories & Options on the following page.

M Series Cabinets – 20" W x 30" H

Add-On Accessories & Options

	Description	Model	Price
	Side Kits for 30" Cabinets Quantity 1 = Pair of Side Kits and Mounting Hardware		
	4" D – Surface-Mount, Polished Edge	MSMK30D4P	\$ 149.
	6" D – Surface-Mount, Polished Edge	MSMK30D6P	\$ 199.
	6" D – Semi-Recessed, Polished Edge	MSMK30D6SRP	\$ 149.
	8" D – Surface-Mount, Polished Edge	MSMK30D8P	\$ 249.
	8" D – Semi-Recessed, Polished Edge	MSMK30D8SRP	\$ 149.
	See Bottom Kits on page 299.		
	Magnification Mirrors		
	Entice® 5X magnification mirror	ENTICE	\$ 449.
	Entice 5X magnification mirror with inductive charging dock	ENTICEDOCK	\$ 499.
	Compact adjustable 5X magnification mirror	CAMM	\$ 49.
	Refer to pages 294 – 295 for POMM, SOMM, Freestanding and Wall-Mount Magnification Mirrors.		
 	IQ™ Digital Lock Box		
	For use with 20" W cabinets	DLB-20	\$ 399.
	Handle Kits		
	Chrome Handle or Push-to-Open Mechanism	MHANDLEKIT MPUSHKIT	\$ 179. \$ 99.
	Accessory Glass Bins		
	Small, 3-1/4" W x 3-1/4" L	GLASSBIN3.25	\$ 49.
	Medium, 3-1/4" W x 5-1/4" L	GLASSBIN5.25	\$ 49.
	Large, 3-1/4" W x 8-1/2" L	GLASSBIN8.5	\$ 49.
	Accessory Trays		
	Razor/Phone Holder	MA-TRAY2.5	\$ 29.
	3" Accessory Tray	MA-TRAY3	\$ 29.
	5" Accessory Tray	MA-TRAY5	\$ 29.
	Ganging Kit (30"/40" H)	MGKIT	\$ 49.
	Hardware required for installing 2 or 3 cabinets side-by-side		

Light Options include:
Modular Lights
Sconces
Refer to pages 160 – 175 for more information.

 **Note:** Models in **bold** indicate Quick Ship product.

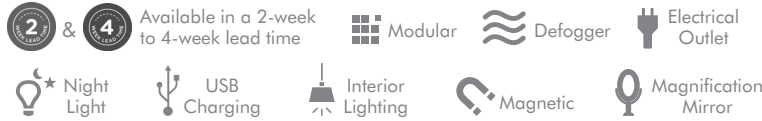
SEE PAGES 96 – 97 FOR TIPS & FEATURES.

M Series Cabinets – 24" W x 30" H

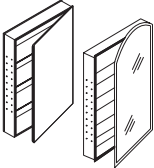
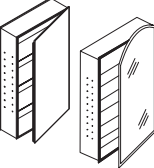
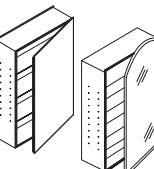


Introducing the most diverse cabinet line in the market. Marrying a luxurious medicine cabinet design with enhanced experiences, the M Series Collection is rich with possibilities for technology, style and storage.

- Electric Upgrade: Optional for all M Series cabinets. Includes sensor controlled interior LED lighting, 2 electrical plugs and USB charging port.
- Electric+ Upgrade: Optional for 16" W, 20" W and 24" W cabinets. Includes sensor controlled interior LED lighting, 2 electrical plugs and USB charging port; programmable night light and defogger with 45-minute timer.



24" W x 30" H Cabinets

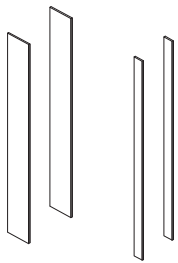
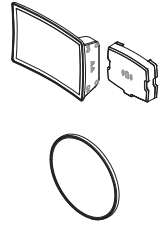
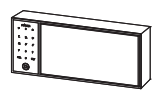
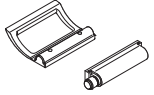
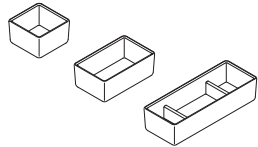
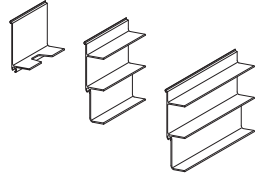

Description	Flat Top Polished Edge	Flat Top Bevel Edge	Price	Arch Top Bevel Edge	Price
4" Deep (D4): 23-1/4" W x 30" H Flat, 34" H Arch (RO: 22-1/2" W x 29-1/4" H x 4" D)					
 Left – No Upgrade	MC2430D4FPL	MC2430D4FBL	\$ 1,199.	MC2430D4ABL	\$ 1,499.
Right – No Upgrade	MC2430D4FPR	MC2430D4FBR	\$ 1,199.	MC2430D4ABR	\$ 1,499.
Left – Electric Upgrade	MC2430D4FPLE2	MC2430D4FBLE2	\$ 1,649.	MC2430D4ABLE2	\$ 1,929.
Left – Electric Upgrade, IQ [™] Digital Lock Box	QMC2430D4FPLE2	N/A	\$ 2,028.	N/A	
	NEW!				
Right – Electric Upgrade	MC2430D4FPRE2	MC2430D4FBRE2	\$ 1,649.	MC2430D4ABRE2	\$ 1,929.
Right – Electric Upgrade, IQ Digital Lock Box	QMC2430D4FPRE2	N/A	\$ 2,028.	N/A	
	NEW!				
Left – Electric+ Upgrade	MC2430D4FPLE4	MC2430D4FBLE4	\$ 2,029.	MC2430D4ABLE4	\$ 2,329.
Left – Electric+ Upgrade, IQ Digital Lock Box	QMC2430D4FPLE4	N/A	\$ 2,378.	N/A	
	NEW!				
Right – Electric+ Upgrade	MC2430D4FPRE4	MC2430D4FBRE4	\$ 2,029.	MC2430D4ABRE4	\$ 2,329.
Right – Electric+ Upgrade, IQ Digital Lock Box	QMC2430D4FPRE4	N/A	\$ 2,428.	N/A	
	NEW!				
6" Deep (D6): 23-1/4" W x 30" H Flat, 34" H Arch (RO: 22-1/2" W x 29-1/4" H x 6" D)					
 Left – No Upgrade	MC2430D6FPL	MC2430D6FBL	\$ 1,499.	MC2430D6ABL	\$ 1,779.
Right – No Upgrade	MC2430D6FPR	MC2430D6FBR	\$ 1,499.	MC2430D6ABR	\$ 1,779.
Left – Electric Upgrade	MC2430D6FPLE2	MC2430D6FBLE2	\$ 1,929.	MC2430D6ABLE2	\$ 2,249.
Right – Electric Upgrade	MC2430D6FPRE2	MC2430D6FBRE2	\$ 1,929.	MC2430D6ABRE2	\$ 2,249.
Left – Electric+ Upgrade	MC2430D6FPLE4	MC2430D6FBLE4	\$ 2,329.	MC2430D6ABLE4	\$ 2,579.
Right – Electric+ Upgrade	MC2430D6FPRE4	MC2430D6FBRE4	\$ 2,329.	MC2430D6ABRE4	\$ 2,579.
8" Deep (D8): 23-1/4" W x 30" H Flat, 34" H Arch (RO: 22-1/2" W x 29-1/4" H x 8" D)					
 Left – No Upgrade	MC2430D8FPL	MC2430D8FBL	\$ 1,599.	MC2430D8ABL	\$ 1,879.
Right – No Upgrade	MC2430D8FPR	MC2430D8FBR	\$ 1,599.	MC2430D8ABR	\$ 1,879.
Left – Electric Upgrade	MC2430D8FPLE2	MC2430D8FBLE2	\$ 2,079.	MC2430D8ABLE2	\$ 2,379.
Right – Electric Upgrade	MC2430D8FPRE2	MC2430D8FBRE2	\$ 2,079.	MC2430D8ABRE2	\$ 2,379.
Left – Electric+ Upgrade	MC2430D8FPLE4	MC2430D8FBLE4	\$ 2,429.	MC2430D8ABLE4	\$ 2,699.
Right – Electric+ Upgrade	MC2430D8FPRE4	MC2430D8FBRE4	\$ 2,429.	MC2430D8ABRE4	\$ 2,699.

 **Note:** Models in **bold** indicate Quick Ship product.

See Accessories & Options on the following page.

M Series Cabinets – 24" W x 30" H

Add-On Accessories & Options

	Description	Model	Price
	Side Kits for 30" Cabinets Quantity 1 = Pair of Side Kits and Mounting Hardware		
	4" D – Surface-Mount, Polished Edge	MSMK30D4P	\$ 149.
	6" D – Surface-Mount, Polished Edge	MSMK30D6P	\$ 199.
	6" D – Semi-Recessed, Polished Edge	MSMK30D6SRP	\$ 149.
	8" D – Surface-Mount, Polished Edge	MSMK30D8P	\$ 249.
	8" D – Semi-Recessed, Polished Edge	MSMK30D8SRP	\$ 149.
	See Bottom Kits on page 299.		
	Magnification Mirrors		
	Entice® 5X magnification mirror	ENTICE	\$ 449.
	Entice 5X magnification mirror with inductive charging dock	ENTICEDOCK	\$ 499.
	Compact adjustable 5X magnification mirror	CAMM	\$ 49.
	Refer to pages 294 – 295 for POMM, SOMM, Freestanding and Wall-Mount Magnification Mirrors.		
NEW!	IQ™ Digital Lock Box		
	For use with 24" W cabinets	DLB-24	\$ 399.
	Handle Kits		
	Chrome Handle or Push-to-Open Mechanism	MHANDLEKIT MPUSHKIT	\$ 179. \$ 99.
	Accessory Glass Bins		
	Small, 3-1/4" W x 3-1/4" L	GLASSBIN3.25	\$ 49.
	Medium, 3-1/4" W x 5-1/4" L	GLASSBIN5.25	\$ 49.
	Large, 3-1/4" W x 8-1/2" L	GLASSBIN8.5	\$ 49.
	Accessory Trays		
	Razor/Phone Holder	MA-TRAY2.5	\$ 29.
	3" Accessory Tray	MA-TRAY3	\$ 29.
	5" Accessory Tray	MA-TRAY5	\$ 29.
	Ganging Kit (30"/40" H)	MGKIT	\$ 49.
	Hardware required for installing 2 or 3 cabinets side-by-side		

Light Options include:
Modular Lights
Sconces
Refer to pages 160 – 175 for more information.

 **Note:** Models in **bold** indicate Quick Ship product.

SEE PAGES 96 – 97 FOR TIPS & FEATURES.

M Series Cabinets – 12" W x 40" H



Introducing the most diverse cabinet line in the market. Marrying a luxurious medicine cabinet design with enhanced experiences, the M Series Collection is rich with possibilities for technology, style and storage.

- **Electric Upgrade:** Optional for all M Series cabinets. Includes sensor controlled interior LED lighting, 2 electrical plugs and USB charging port.
- **Electric+ Upgrade:** Optional for 16" W, 20" W and 24" W cabinets. Includes sensor controlled interior LED lighting, 2 electrical plugs and USB charging port; programmable night light and defogger with 45-minute timer.



Available in a 2-week to 4-week lead time



12" W x 40" H Cabinets

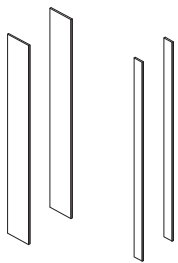
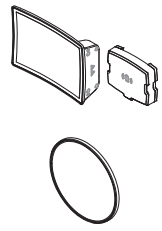
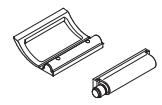
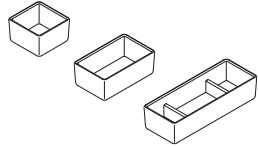
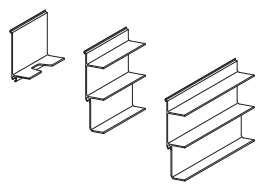
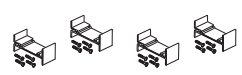
	Description	Polished Edge	Bevel Edge	Price
4" Deep (D4): 11-1/4" W x 39-3/8" H (RO: 10-1/2" W x 38-5/8" H x 4" D)				
	Left – No Upgrade	MC1240D4FPL	MC1240D4FBL	\$ 1,199.
	Right – No Upgrade	MC1240D4FPR	MC1240D4FBR	\$ 1,199.
	Left – Electric Upgrade	MC1240D4FPLE2	MC1240D4FBLE2	\$ 1,649.
	Right – Electric Upgrade	MC1240D4FPRE2	MC1240D4FBRE2	\$ 1,649.
6" Deep (D6): 11-1/4" W x 39-3/8" H (RO: 10-1/2" W x 38-5/8" H x 6" D)				
	Left – No Upgrade	MC1240D6FPL	MC1240D6FBL	\$ 1,499.
	Right – No Upgrade	MC1240D6FPR	MC1240D6FBR	\$ 1,499.
	Left – Electric Upgrade	MC1240D6FPLE2	MC1240D6FBLE2	\$ 1,929.
	Right – Electric Upgrade	MC1240D6FPRE2	MC1240D6FBRE2	\$ 1,929.

Note: Models in **bold** indicate Quick Ship product.

See Accessories & Options on the following page.

M Series Cabinets – 12" W x 40" H

Add-On Accessories & Options

	Description	Model	Price
	Side Kits for 40" Cabinets Quantity 1 = Pair of Side Kits and Mounting Hardware		
	4" D – Surface-Mount, Polished Edge	MSMK40D4P	\$ 249.
	6" D – Surface-Mount, Polished Edge	MSMK40D6P	\$ 349.
	6" D – Semi-Recessed, Polished Edge	MSMK40D6SRP	\$ 249.
	See Bottom Kits on page 299.		
	Magnification Mirrors		
	Entice® 5X magnification mirror	ENTICE	\$ 449.
	Entice 5X magnification mirror with inductive charging dock	ENTICEDOCK	\$ 499.
	Compact adjustable 5X magnification mirror	CAMM	\$ 49.
	Refer to pages 294 – 295 for POMM, SOMM, Freestanding and Wall-Mount Magnification Mirrors.		
	Handle Kits		
	Chrome Handle or Push-to-Open Mechanism	MHANDLEKIT MPUSHKIT	\$ 179. \$ 99.
	Accessory Glass Bins		
	Small, 3-1/4" W x 3-1/4" L	GLASSBIN3.25	\$ 49.
	Medium, 3-1/4" W x 5-1/4" L	GLASSBIN5.25	\$ 49.
	Large, 3-1/4" W x 8-1/2" L	GLASSBIN8.5	\$ 49.
	Accessory Trays		
	Razor/Phone Holder	MA-TRAY2.5	\$ 29.
	3" Accessory Tray	MA-TRAY3	\$ 29.
	5" Accessory Tray	MA-TRAY5	\$ 29.
	Ganging Kit (30"/40" H)	MGKIT	\$ 49.
	Hardware required for installing 2 or 3 cabinets side-by-side		

Light Options include:
Modular Lights
Sconces
Refer to pages 160 – 175 for more information.

 **Note:** Models in **bold** indicate Quick Ship product.

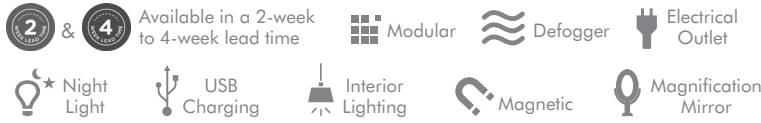
SEE PAGES 96 – 97 FOR TIPS & FEATURES.

M Series Cabinets – 16" W x 40" H



Introducing the most diverse cabinet line in the market. Marrying a luxurious medicine cabinet design with enhanced experiences, the M Series Collection is rich with possibilities for technology, style and storage.

- **Electric Upgrade:** Optional for all M Series cabinets. Includes sensor controlled interior LED lighting, 2 electrical plugs and USB charging port.
- **Electric+ Upgrade:** Optional for 16" W, 20" W and 24" W cabinets. Includes sensor controlled interior LED lighting, 2 electrical plugs and USB charging port; programmable night light and defogger with 45-minute timer.



16" W x 40" H Cabinets

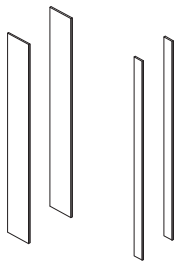
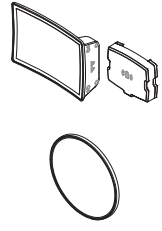
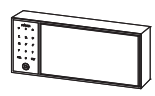
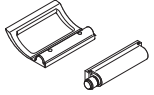
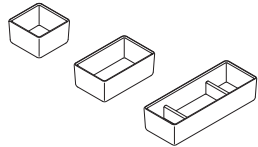
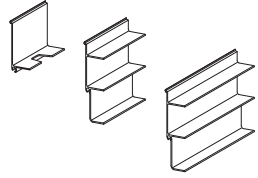

Description	Flat Top Polished Edge	Flat Top Bevel Edge	Price	Arch Top Bevel Edge	Price	
4" Deep (D4): 15-1/4" W x 39-3/8" H Flat, 43-3/8" H Arch (RO: 14-1/2" W x 38-5/8" H x 4" D)						
	Left – No Upgrade	MC1640D4FPL	MC1640D4FBL	\$ 1,299.	MC1640D4ABL	\$ 1,599.
	Right – No Upgrade	MC1640D4FPR	MC1640D4FBR	\$ 1,299.	MC1640D4ABR	\$ 1,599.
	Left – Electric Upgrade	MC1640D4FPLE2	MC1640D4FBLE2	\$ 1,779.	MC1640D4ABLE2	\$ 2,079.
	Right – Electric Upgrade	MC1640D4FPRE2	MC1640D4FBRE2	\$ 1,779.	MC1640D4ABRE2	\$ 2,079.
	Left – Electric+ Upgrade	MC1640D4FPLE4	MC1640D4FBLE4	\$ 2,149.	MC1640D4ABLE4	\$ 2,429.
	Right – Electric+ Upgrade	MC1640D4FPRE4	MC1640D4FBRE4	\$ 2,149.	MC1640D4ABRE4	\$ 2,429.
6" Deep (D6): 15-1/4" W x 39-3/8" H Flat, 43-3/8" H Arch (RO: 14-1/2" W x 38-5/8" H x 6" D)						
	Left – No Upgrade	MC1640D6FPL	MC1640D6FBL	\$ 1,599.	MC1640D6ABL	\$ 1,879.
	Right – No Upgrade	MC1640D6FPR	MC1640D6FBR	\$ 1,599.	MC1640D6ABR	\$ 1,879.
	Left – Electric Upgrade	MC1640D6FPLE2	MC1640D6FBLE2	\$ 2,079.	MC1640D6ABLE2	\$ 2,379.
	Right – Electric Upgrade	MC1640D6FPRE2	MC1640D6FBRE2	\$ 2,079.	MC1640D6ABRE2	\$ 2,379.
	Left – Electric+ Upgrade	MC1640D6FPLE4	MC1640D6FBLE4	\$ 2,429.	MC1640D6ABLE4	\$ 2,699.
	Right – Electric+ Upgrade	MC1640D6FPRE4	MC1640D6FBRE4	\$ 2,429.	MC1640D6ABRE4	\$ 2,699.
8" Deep (D8): 15-1/4" W x 39-3/8" H Flat, 43-3/8" H Arch (RO: 14-1/2" W x 38-5/8" H x 8" D)						
	Left – No Upgrade	MC1640D8FPL	MC1640D8FBL	\$ 1,729.	MC1640D8ABL	\$ 2,029.
	Right – No Upgrade	MC1640D8FPR	MC1640D8FBR	\$ 1,729.	MC1640D8ABR	\$ 2,029.
	Left – Electric Upgrade	MC1640D8FPLE2	MC1640D8FBLE2	\$ 2,199.	MC1640D8ABLE2	\$ 2,479.
	Right – Electric Upgrade	MC1640D8FPRE2	MC1640D8FBRE2	\$ 2,199.	MC1640D8ABRE2	\$ 2,479.
	Left – Electric+ Upgrade	MC1640D8FPLE4	MC1640D8FBLE4	\$ 2,529.	MC1640D8ABLE4	\$ 2,799.
	Right – Electric+ Upgrade	MC1640D8FPRE4	MC1640D8FBRE4	\$ 2,529.	MC1640D8ABRE4	\$ 2,799.

Note: Models in **bold** indicate Quick Ship product.

See Accessories & Options on the following page.

M Series Cabinets – 16" W x 40" H

Add-On Accessories & Options

	Description	Model	Price
	Side Kits for 40" Cabinets Quantity 1 = Pair of Side Kits and Mounting Hardware		
	4" D – Surface-Mount, Polished Edge	MSMK40D4P	\$ 249.
	6" D – Surface-Mount, Polished Edge	MSMK40D6P	\$ 349.
	6" D – Semi-Recessed, Polished Edge	MSMK40D6SRP	\$ 249.
	8" D – Surface-Mount, Polished Edge	MSMK40D8P	\$ 399.
	8" D – Semi-Recessed, Polished Edge	MSMK40D8SRP	\$ 249.
	See Bottom Kits on page 299.		
	Magnification Mirrors		
	Entice® 5X magnification mirror	ENTICE	\$ 449.
	Entice 5X magnification mirror with inductive charging dock	ENTICEDOCK	\$ 499.
	Compact adjustable 5X magnification mirror	CAMM	\$ 49.
	Refer to pages 294 – 295 for POMM, SOMM, Freestanding and Wall-Mount Magnification Mirrors.		
NEW!	IQ™ Digital Lock Box		
	For use with 16" W cabinets	DLB-16	\$ 399.
	Handle Kits		
	Chrome Handle or Push-to-Open Mechanism	MHANDLEKIT MPUSHKIT	\$ 179. \$ 99.
	Accessory Glass Bins		
	Small, 3-1/4" W x 3-1/4" L	GLASSBIN3.25	\$ 49.
	Medium, 3-1/4" W x 5-1/4" L	GLASSBIN5.25	\$ 49.
	Large, 3-1/4" W x 8-1/2" L	GLASSBIN8.5	\$ 49.
	Accessory Trays		
	Razor/Phone Holder	MA-TRAY2.5	\$ 29.
	3" Accessory Tray	MA-TRAY3	\$ 29.
	5" Accessory Tray	MA-TRAY5	\$ 29.
	Ganging Kit (30"/40" H)	MGKIT	\$ 49.
	Hardware required for installing 2 or 3 cabinets side-by-side		

Light Options include:
Modular Lights
Sconces
Refer to pages 160 – 175 for more information.

 **Note:** Models in **bold** indicate Quick Ship product.

SEE PAGES 96 – 97 FOR TIPS & FEATURES.

M Series Cabinets – 20" W x 40" H



Introducing the most diverse cabinet line in the market. Marrying a luxurious medicine cabinet design with enhanced experiences, the M Series Collection is rich with possibilities for technology, style and storage.

- **Electric Upgrade:** Optional for all M Series cabinets. Includes sensor controlled interior LED lighting, 2 electrical plugs and USB charging port.
- **Electric+ Upgrade:** Optional for 16" W, 20" W and 24" W cabinets. Includes sensor controlled interior LED lighting, 2 electrical plugs and USB charging port; programmable night light and defogger with 45-minute timer.



Available in a 2-week to 4-week lead time



20" W x 40" H Cabinets

Description	Flat Top Polished Edge	Flat Top Bevel Edge	Price	Arch Top Bevel Edge	Price	
4" Deep (D4): 19-1/4" W x 39-3/8" H Flat, 43-3/8" H Arch (RO: 18-1/2" W x 38-5/8" H x 4" D)						
	Left – No Upgrade	MC2040D4FPL	MC2040D4FBL	\$ 1,449.	MC2040D4ABL	\$ 1,729.
	Right – No Upgrade	MC2040D4FPR	MC2040D4FBR	\$ 1,449.	MC2040D4ABR	\$ 1,729.
	Left – Electric Upgrade	MC2040D4FPLE2	MC2040D4FBLE2	\$ 1,879.	MC2040D4ABLE2	\$ 2,199.
	Right – Electric Upgrade	MC2040D4FPRE2	MC2040D4FBRE2	\$ 1,879.	MC2040D4ABRE2	\$ 2,199.
	Left – Electric+ Upgrade	MC2040D4FPLE4	MC2040D4FBLE4	\$ 2,249.	MC2040D4ABLE4	\$ 2,529.
	Right – Electric+ Upgrade	MC2040D4FPRE4	MC2040D4FBRE4	\$ 2,249.	MC2040D4ABRE4	\$ 2,529.
6" Deep (D6): 19-1/4" W x 39-3/8" H Flat, 43-3/8" H Arch (RO: 18-1/2" W x 38-5/8" H x 6" D)						
	Left – No Upgrade	MC2040D6FPL	MC2040D6FBL	\$ 1,729.	MC2040D6ABL	\$ 2,029.
	Right – No Upgrade	MC2040D6FPR	MC2040D6FBR	\$ 1,729.	MC2040D6ABR	\$ 2,029.
	Left – Electric Upgrade	MC2040D6FPLE2	MC2040D6FBLE2	\$ 2,199.	MC2040D6ABLE2	\$ 2,479.
	Right – Electric Upgrade	MC2040D6FPRE2	MC2040D6FBRE2	\$ 2,199.	MC2040D6ABRE2	\$ 2,479.
	Left – Electric+ Upgrade	MC2040D6FPLE4	MC2040D6FBLE4	\$ 2,529.	MC2040D6ABLE4	\$ 2,799.
	Right – Electric+ Upgrade	MC2040D6FPRE4	MC2040D6FBRE4	\$ 2,529.	MC2040D6ABRE4	\$ 2,799.
8" Deep (D8): 19-1/4" W x 39-3/8" H Flat, 43-3/8" H Arch (RO: 18-1/2" W x 38-5/8" H x 8" D)						
	Left – No Upgrade	MC2040D8FPL	MC2040D8FBL	\$ 1,829.	MC2040D8ABL	\$ 2,149.
	Right – No Upgrade	MC2040D8FPR	MC2040D8FBR	\$ 1,829.	MC2040D8ABR	\$ 2,149.
	Left – Electric Upgrade	MC2040D8FPLE2	MC2040D8FBLE2	\$ 2,329.	MC2040D8ABLE2	\$ 2,579.
	Right – Electric Upgrade	MC2040D8FPRE2	MC2040D8FBRE2	\$ 2,329.	MC2040D8ABRE2	\$ 2,579.
	Left – Electric+ Upgrade	MC2040D8FPLE4	MC2040D8FBLE4	\$ 2,649.	MC2040D8ABLE4	\$ 2,929.
	Right – Electric+ Upgrade	MC2040D8FPRE4	MC2040D8FBRE4	\$ 2,649.	MC2040D8ABRE4	\$ 2,929.

Note: Models in **bold** indicate Quick Ship product.

See Accessories & Options on the following page.

M Series Cabinets – 20" W x 40" H

Add-On Accessories & Options

	Description	Model	Price
	Side Kits for 40" Cabinets Quantity 1 = Pair of Side Kits and Mounting Hardware		
	4" D – Surface-Mount, Polished Edge	MSMK40D4P	\$ 249.
	6" D – Surface-Mount, Polished Edge	MSMK40D6P	\$ 349.
	6" D – Semi-Recessed, Polished Edge	MSMK40D6SRP	\$ 249.
	8" D – Surface-Mount, Polished Edge	MSMK40D8P	\$ 399.
	8" D – Semi-Recessed, Polished Edge	MSMK40D8SRP	\$ 249.
	See Bottom Kits on page 299.		
	Magnification Mirrors		
	Entice [®] 5X magnification mirror	ENTICE	\$ 449.
	Entice 5X magnification mirror with inductive charging dock	ENTICEDOCK	\$ 499.
	Compact adjustable 5X magnification mirror	CAMM	\$ 49.
	Refer to pages 294 – 295 for POMM, SOMM, Freestanding and Wall-Mount Magnification Mirrors.		
NEW!	IQ[™] Digital Lock Box		
	For use with 20" W cabinets	DLB-20	\$ 399.
	Handle Kits		
	Chrome Handle or Push-to-Open Mechanism	MHANDLEKIT MPUSHKIT	\$ 179. \$ 99.
	Accessory Glass Bins		
	Small, 3-1/4" W x 3-1/4" L	GLASSBIN3.25	\$ 49.
	Medium, 3-1/4" W x 5-1/4" L	GLASSBIN5.25	\$ 49.
	Large, 3-1/4" W x 8-1/2" L	GLASSBIN8.5	\$ 49.
	Accessory Trays		
	Razor/Phone Holder	MA-TRAY2.5	\$ 29.
	3" Accessory Tray	MA-TRAY3	\$ 29.
	5" Accessory Tray	MA-TRAY5	\$ 29.
	Ganging Kit (30"/40" H)	MGKIT	\$ 49.
	Hardware required for installing 2 or 3 cabinets side-by-side		

Light Options include:
Modular Lights
Sconces
Refer to pages 160 – 175 for more information.

Note: Models in **bold** indicate Quick Ship product.

SEE PAGES 96 – 97 FOR TIPS & FEATURES.

M Series Cabinets – 24" W x 40" H



Introducing the most diverse cabinet line in the market. Marrying a luxurious medicine cabinet design with enhanced experiences, the M Series Collection is rich with possibilities for technology, style and storage.

- **Electric Upgrade:** Optional for all M Series cabinets. Includes sensor controlled interior LED lighting, 2 electrical plugs and USB charging port.
- **Electric+ Upgrade:** Optional for 16" W, 20" W and 24" W cabinets. Includes sensor controlled interior LED lighting, 2 electrical plugs and USB charging port; programmable night light and defogger with 45-minute timer.



Available in a 2-week to 4-week lead time



Modular



Defogger



Electrical Outlet



Night Light



USB Charging



Interior Lighting

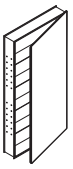
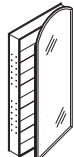
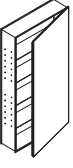
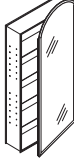
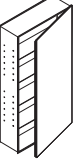
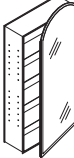


Magnetic



Magnification Mirror

24" W x 40" H Cabinets

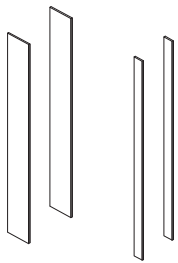
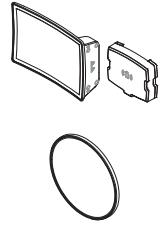
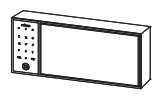
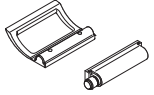
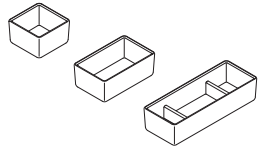
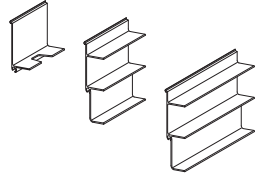

Description	Flat Top Polished Edge	Flat Top Bevel Edge	Price	Arch Top Bevel Edge	Price
4" Deep (D4): 23-1/4" W x 39-3/8" H Flat, 43-3/8" H Arch (RO: 22-1/2" W x 38-5/8" H x 4" D)					
 Left – No Upgrade	MC2440D4FPL	MC2440D4FBL	\$ 1,499.	MC2440D4ABL	\$ 1,779.
 Right – No Upgrade	MC2440D4FPR	MC2440D4FBR	\$ 1,499.	MC2440D4ABR	\$ 1,779.
Left – Electric Upgrade	MC2440D4FPLE2	MC2440D4FBLE2	\$ 1,929.	MC2440D4ABLE2	\$ 2,249.
Left – Electric Upgrade, IQ [™] Digital Lock Box	QMC2440D4FPLE2	N/A	\$ 2,328.	N/A	
	NEW!				
Right – Electric Upgrade	MC2440D4FPRE2	MC2440D4FBRE2	\$ 1,929.	MC2440D4ABRE2	\$ 2,249.
Right – Electric Upgrade, IQ Digital Lock Box	QMC2440D4FPRE2	N/A	\$ 2,328.	N/A	
	NEW!				
Left – Electric+ Upgrade	MC2440D4FPLE4	MC2440D4FBLE4	\$ 2,329.	MC2440D4ABLE4	\$ 2,579.
Left – Electric+ Upgrade, IQ Digital Lock Box	QMC2440D4FPLE4	N/A	\$ 2,728.	N/A	
	NEW!				
Right – Electric+ Upgrade	MC2440D4FPRE4	MC2440D4FBRE4	\$ 2,329.	MC2440D4ABRE4	\$ 2,579.
Right – Electric+ Upgrade, IQ Digital Lock Box	QMC2440D4FPRE4	N/A	\$ 2,728.	N/A	
	NEW!				
6" Deep (D6): 23-1/4" W x 39-3/8" H Flat, 43-3/8" H Arch (RO: 22-1/2" W x 38-5/8" H x 6" D)					
 Left – No Upgrade	MC2440D6FPL	MC2440D6FBL	\$ 1,779.	MC2440D6ABL	\$ 2,079.
 Right – No Upgrade	MC2440D6FPR	MC2440D6FBR	\$ 1,779.	MC2440D6ABR	\$ 2,079.
Left – Electric Upgrade	MC2440D6FPLE2	MC2440D6FBLE2	\$ 2,249.	MC2440D6ABLE2	\$ 2,529.
Right – Electric Upgrade	MC2440D6FPRE2	MC2440D6FBRE2	\$ 2,249.	MC2440D6ABRE2	\$ 2,529.
Left – Electric+ Upgrade	MC2440D6FPLE4	MC2440D6FBLE4	\$ 2,579.	MC2440D6ABLE4	\$ 2,849.
Right – Electric+ Upgrade	MC2440D6FPRE4	MC2440D6FBRE4	\$ 2,579.	MC2440D6ABRE4	\$ 2,849.
8" Deep (D8): 23-1/4" W x 39-3/8" H Flat, 43-3/8" H Arch (RO: 22-1/2" W x 38-5/8" H x 8" D)					
 Left – No Upgrade	MC2440D8FPL	MC2440D8FBL	\$ 1,879.	MC2440D8ABL	\$ 2,199.
 Right – No Upgrade	MC2440D8FPR	MC2440D8FBR	\$ 1,879.	MC2440D8ABR	\$ 2,199.
Left – Electric Upgrade	MC2440D8FPLE2	MC2440D8FBLE2	\$ 2,379.	MC2440D8ABLE2	\$ 2,649.
Right – Electric Upgrade	MC2440D8FPRE2	MC2440D8FBRE2	\$ 2,379.	MC2440D8ABRE2	\$ 2,649.
Left – Electric+ Upgrade	MC2440D8FPLE4	MC2440D8FBLE4	\$ 2,699.	MC2440D8ABLE4	\$ 2,979.
Right – Electric+ Upgrade	MC2440D8FPRE4	MC2440D8FBRE4	\$ 2,699.	MC2440D8ABRE4	\$ 2,979.

 **Note:** Models in **bold** indicate Quick Ship product.

See Accessories & Options on the following page.

M Series Cabinets – 24" W x 40" H

Add-On Accessories & Options

	Description	Model	Price
	Side Kits for 40" Cabinets Quantity 1 = Pair of Side Kits and Mounting Hardware		
	4" D – Surface-Mount, Polished Edge	MSMK40D4P	\$ 249.
	6" D – Surface-Mount, Polished Edge	MSMK40D6P	\$ 349.
	6" D – Semi-Recessed, Polished Edge	MSMK40D6SRP	\$ 249.
	8" D – Surface-Mount, Polished Edge	MSMK40D8P	\$ 399.
	8" D – Semi-Recessed, Polished Edge	MSMK40D8SRP	\$ 249.
	See Bottom Kits on page 299.		
	Magnification Mirrors		
	Entice [®] 5X magnification mirror	ENTICE	\$ 449.
	Entice 5X magnification mirror with inductive charging dock	ENTICEDOCK	\$ 499.
	Compact adjustable 5X magnification mirror	CAMM	\$ 49.
	Refer to pages 294 – 295 for POMM, SOMM, Freestanding and Wall-Mount Magnification Mirrors.		
NEW!	IQ™ Digital Lock Box		
	For use with 24" W cabinets	DLB-24	\$ 399.
	Handle Kits		
	Chrome Handle or Push-to-Open Mechanism	MHANDLEKIT MPUSHKIT	\$ 179. \$ 99.
	Accessory Glass Bins		
	Small, 3-1/4" W x 3-1/4" L	GLASSBIN3.25	\$ 49.
	Medium, 3-1/4" W x 5-1/4" L	GLASSBIN5.25	\$ 49.
	Large, 3-1/4" W x 8-1/2" L	GLASSBIN8.5	\$ 49.
	Accessory Trays		
	Razor/Phone Holder	MA-TRAY2.5	\$ 29.
	3" Accessory Tray	MA-TRAY3	\$ 29.
	5" Accessory Tray	MA-TRAY5	\$ 29.
	Ganging Kit (30"/40" H)	MGKIT	\$ 49.
	Hardware required for installing 2 or 3 cabinets side-by-side		

Light Options include:
Modular Lights
Sconces
Refer to pages 160 – 175 for more information.

 **Note:** Models in **bold** indicate Quick Ship product.

SEE PAGES 96 – 97 FOR TIPS & FEATURES.

M Series Cabinets – 16" W x 70" H



Introducing the most diverse cabinet line in the market. Marrying a luxurious medicine cabinet design with enhanced experiences, the M Series Collection is rich with possibilities for technology, style and storage.

- Electric Upgrade: Optional for all M Series cabinets. Includes sensor controlled interior LED lighting, 2 electrical plugs and USB charging port.
- Electric+ Upgrade: Optional for 16" W, 20" W and 24" W cabinets. Includes sensor controlled interior LED lighting, 2 electrical plugs and USB charging port; programmable night light and defogger with 45-minute timer.

& Available in a 2-week to 4-week lead time
 Modular
 Electrical Outlet
 USB Charging
 Interior Lighting
 Magnetic
 Magnification Mirror

16" W x 70" H Cabinets

Description		Model		MIRRORED	DECORATIVE		
				Flat Door FB, FP Price	Essentials Palette 11, 20, 21 Price	Classic Palette 22, 26, 27, 28 Price	Inspire Palette 12, 19, 23, 24, 25 Price
4" Deep (D4): 15-1/4" W x 70" H (RO: 14-1/2" W x 69-1/4" H x 4" D)							
	Left – No Upgrade	MC1670D4 __ L		\$ 2,579.	\$ 3,099.	\$ 3,629.	\$ 4,149.
	Right – No Upgrade	MC1670D4 __ R		\$ 2,579.	\$ 3,099.	\$ 3,629.	\$ 4,149.
	Left – Electric Upgrade	MC1670D4 __ LE2		\$ 3,049.	\$ 3,579.	\$ 4,079.	\$ 4,599.
	Right – Electric Upgrade	MC1670D4 __ RE2		\$ 3,049.	\$ 3,579.	\$ 4,079.	\$ 4,599.
6" Deep (D6): 15-1/4" W x 70" H (RO: 14-1/2" W x 69-1/4" H x 6" D)							
	Left – No Upgrade	MC1670D6 __ L		\$ 2,849.	\$ 3,399.	\$ 3,929.	\$ 4,429.
	Right – No Upgrade	MC1670D6 __ R		\$ 2,849.	\$ 3,399.	\$ 3,929.	\$ 4,429.
	Left – Electric Upgrade	MC1670D6 __ LE2		\$ 3,349.	\$ 3,879.	\$ 4,379.	\$ 4,879.
	Right – Electric Upgrade	MC1670D6 __ RE2		\$ 3,349.	\$ 3,879.	\$ 4,379.	\$ 4,879.
8" Deep (D8): 15-1/4" W x 70" H (RO: 14-1/2" W x 69-1/4" H x 8" D)							
	Left – No Upgrade	MC1670D8 __ L		\$ 2,979.	\$ 3,529.	\$ 4,029.	\$ 4,529.
	Right – No Upgrade	MC1670D8 __ R		\$ 2,979.	\$ 3,529.	\$ 4,029.	\$ 4,529.
	Left – Electric Upgrade	MC1670D8 __ LE2		\$ 3,449.	\$ 3,979.	\$ 4,479.	\$ 4,999.
	Right – Electric Upgrade	MC1670D8 __ RE2		\$ 3,449.	\$ 3,979.	\$ 4,479.	\$ 4,999.

Fill in __ designator to Model listed above with desired door style & color listed on the following page.
Examples: MC1670D4FPL, MC1670D824LE2.

See Cabinet Door Style & Color Options, Surface-Mount Kits, Accessories & Options on the following page.

M Series Cabinets – 16" W x 70" H

Door Style & Color Options

Fill in __ designator to Model listed at left with desired door style & color. Examples: MC1670D4FPL, MC1670D82LE2.

Cabinet Top and Door Mirrored Edge

- FB Flat, Bevel Edge
- FP Flat, Polished Edge

Decorative Essentials Palette (Flat)

- 11 Tinted Gray Mirror
- 20 Black
- 21 White

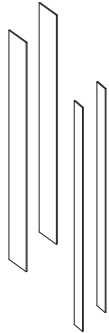
Decorative Classic Palette (Flat)

- 22 Beach
- 26 Matte White
- 27 Matte Gray
- 28 Matte Black

Decorative Inspire Palette (Flat)

- 12 Satin Bronze
- 19 Satin White
- 23 Ocean
- 24 Smoke Screen
- 25 Silver Screen

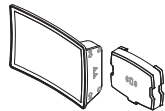
Surface-Mount Kits for 70" H Cabinets (sold separately)



Description	Model	MIRRORED	DECORATIVE		
		Polished Edge	Essentials Palette	Classic Palette	Inspire Palette
		Price	Price	Price	Price
Quantity 1 = Pair of Side Kits and Mounting Hardware					
D4 Surface-Mount, Polished Edge	MSMK70D4P	\$ 449.	N/A	N/A	N/A
D4 Surface-Mount, Decorative*	MSMK70D4__	N/A	\$ 499.	\$ 649.	\$ 749.
D6 Surface-Mount, Polished Edge	MSMK70D6P	\$ 599.	N/A	N/A	N/A
D6 Surface-Mount, Decorative*	MSMK70D6__	N/A	\$ 649.	\$ 749.	\$ 879.
D6 Semi-Recessed, Polished Edge	MSMK70D6SRP	\$ 449.	N/A	N/A	N/A
D6 Semi-Recessed, Decorative*	MSMK70D6SR__	N/A	\$ 499.	\$ 649.	\$ 749.
D8 Surface-Mount, Polished Edge	MSMK70D8P	\$ 699.	N/A	N/A	N/A
D8 Surface-Mount, Decorative*	MSMK70D8__	N/A	\$ 749.	\$ 879.	\$ 999.
D8 Semi-Recessed, Polished Edge	MSMK70D8SRP	\$ 449.	N/A	N/A	N/A
D8 Semi-Recessed, Decorative*	MSMK70D8SR__	N/A	\$ 499.	\$ 649.	\$ 749.

*Fill in __ designator to Decorative Model listed above with desired color listed above. Example: MSMK70D620.

Add-On Accessories & Options



Description

Entice[®]

- Entice 5X magnification mirror
- Entice 5X magnification mirror with inductive charging dock

Model

- ENTICE
- ENTICEDOCK

Price

- \$ 449.
- \$ 499.

Light Options include:

Sconces
Refer to pages 174 – 175 for more information.



Magnification Mirror

- Compact adjustable 5X magnification mirror

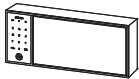
Model

- CAMM

Price

- \$ 49.

NEW!



IQ[™] Digital Lock Box

- For use with 16" W cabinets

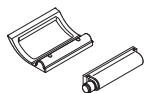
Model

- DLB-16

Price

- \$ 399.

Handle Kits



- Chrome Handle
- or
- Push-to-Open Mechanism

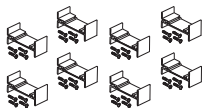
Model

- MHANDLEKIT
- MPUSHKIT

Price

- \$ 179.
- \$ 99.

Ganging Kit (70" H)



- Hardware required for installing 2 or 3 cabinets side-by-side

Model

- MGKIT70

Price

- \$ 99.

See Bottom Kits on page 299.

SEE PAGES 96 – 97 FOR TIPS & FEATURES.

M Series Cabinets – 20" W x 70" H



Introducing the most diverse cabinet line in the market. Marrying a luxurious medicine cabinet design with enhanced experiences, the M Series Collection is rich with possibilities for technology, style and storage.

- Electric Upgrade: Optional for all M Series cabinets. Includes sensor controlled interior LED lighting, 2 electrical plugs and USB charging port.
- Electric+ Upgrade: Optional for 16" W, 20" W and 24" W cabinets. Includes sensor controlled interior LED lighting, 2 electrical plugs and USB charging port; programmable night light and defogger with 45-minute timer.

& Available in a 2-week to 4-week lead time
 Modular
 Electrical Outlet
 USB Charging
 Interior Lighting
 Magnetic
 Magnification Mirror

20" W x 70" H Cabinets

Description		Model		MIRRORED	DECORATIVE		
				Flat Door FB, FP Price	Essentials Palette 11, 20, 21 Price	Classic Palette 22, 26, 27, 28 Price	Inspire Palette 12, 19, 23, 24, 25 Price
4" Deep (D4): 19-1/4" W x 70" H (RO: 18-1/2" W x 69-1/4" H x 4" D)							
	Left – No Upgrade	MC2070D4 __ L		\$ 2,849.	\$ 3,449.	\$ 4,029.	\$ 4,599.
	Right – No Upgrade	MC2070D4 __ R		\$ 2,849.	\$ 3,449.	\$ 4,029.	\$ 4,599.
	Left – Electric Upgrade	MC2070D4 __ LE2		\$ 3,349.	\$ 3,929.	\$ 4,479.	\$ 5,079.
	Right – Electric Upgrade	MC2070D4 __ RE2		\$ 3,349.	\$ 3,929.	\$ 4,479.	\$ 5,079.
6" Deep (D6): 19-1/4" W x 70" H (RO: 18-1/2" W x 69-1/4" H x 6" D)							
	Left – No Upgrade	MC2070D6 __ L		\$ 3,149.	\$ 3,729.	\$ 4,299.	\$ 4,879.
	Right – No Upgrade	MC2070D6 __ R		\$ 3,149.	\$ 3,729.	\$ 4,299.	\$ 4,879.
	Left – Electric Upgrade	MC2070D6 __ LE2		\$ 3,629.	\$ 4,199.	\$ 4,779.	\$ 5,349.
	Right – Electric Upgrade	MC2070D6 __ RE2		\$ 3,629.	\$ 4,199.	\$ 4,779.	\$ 5,349.
8" Deep (D8): 19-1/4" W x 70" H (RO: 18-1/2" W x 69-1/4" H x 8" D)							
	Left – No Upgrade	MC2070D8 __ L		\$ 3,299.	\$ 3,879.	\$ 4,429.	\$ 4,999.
	Right – No Upgrade	MC2070D8 __ R		\$ 3,299.	\$ 3,879.	\$ 4,429.	\$ 4,999.
	Left – Electric Upgrade	MC2070D8 __ LE2		\$ 3,729.	\$ 4,299.	\$ 4,879.	\$ 5,449.
	Right – Electric Upgrade	MC2070D8 __ RE2		\$ 3,729.	\$ 4,299.	\$ 4,879.	\$ 5,449.

Fill in __ designator to Model listed above with desired door style & color listed on the following page.
 Examples: MC2070D4FPL, MC2070D824LE2.

See Cabinet Door Style & Color Options, Surface-Mount Kits, Accessories & Options on the following page.

M Series Cabinets – 20" W x 70" H

Door Style & Color Options

Fill in __ designator to Model listed at left with desired door style & color. Examples: MC2070D4FPL, MC2070D82LE2.

Cabinet Top and Door Mirrored Edge

- FB Flat, Bevel Edge
- FP Flat, Polished Edge

Decorative Essentials Palette (Flat)

- 11 Tinted Gray Mirror
- 20 Black
- 21 White

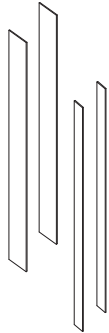
Decorative Classic Palette (Flat)

- 22 Beach
- 26 Matte White
- 27 Matte Gray
- 28 Matte Black

Decorative Inspire Palette (Flat)

- 12 Satin Bronze
- 19 Satin White
- 23 Ocean
- 24 Smoke Screen
- 25 Silver Screen

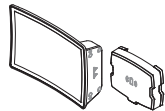
Surface-Mount Kits for 70" H Cabinets (sold separately)



Description	Model	MIRRORED	DECORATIVE		
		Polished Edge	Essentials Palette	Classic Palette	Inspire Palette
		Price	Price	Price	Price
Quantity 1 = Pair of Side Kits and Mounting Hardware					
D4 Surface-Mount, Polished Edge	MSMK70D4P	\$ 449.	N/A	N/A	N/A
D4 Surface-Mount, Decorative*	MSMK70D4__	N/A	\$ 499.	\$ 649.	\$ 749.
D6 Surface-Mount, Polished Edge	MSMK70D6P	\$ 599.	N/A	N/A	N/A
D6 Surface-Mount, Decorative*	MSMK70D6__	N/A	\$ 649.	\$ 749.	\$ 879.
D6 Semi-Recessed, Polished Edge	MSMK70D6SRP	\$ 449.	N/A	N/A	N/A
D6 Semi-Recessed, Decorative*	MSMK70D6SR__	N/A	\$ 499.	\$ 649.	\$ 749.
D8 Surface-Mount, Polished Edge	MSMK70D8P	\$ 699.	N/A	N/A	N/A
D8 Surface-Mount, Decorative*	MSMK70D8__	N/A	\$ 749.	\$ 879.	\$ 999.
D8 Semi-Recessed, Polished Edge	MSMK70D8SRP	\$ 449.	N/A	N/A	N/A
D8 Semi-Recessed, Decorative*	MSMK70D8SR__	N/A	\$ 499.	\$ 649.	\$ 749.

*Fill in __ designator to Decorative Model listed above with desired color listed above. Example: MSMK70D620.

Add-On Accessories & Options



Description

Entice[®]

- Entice 5X magnification mirror
- Entice 5X magnification mirror with inductive charging dock

Model

- ENTICE
- ENTICEDOCK

Price

- \$ 449.
- \$ 499.

Light Options include:

Scnces
Refer to pages 174 – 175 for more information.



Magnification Mirror

- Compact adjustable 5X magnification mirror

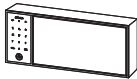
Model

- CAMM

Price

- \$ 49.

NEW!



IQ[™] Digital Lock Box

- For use with 20" W cabinets

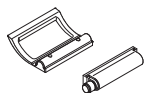
Model

- DLB-20

Price

- \$ 399.

Handle Kits

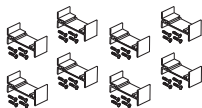


- Chrome Handle
- or
- Push-to-Open Mechanism

- MHANDLEKIT
- MPUSHKIT

- \$ 179.
- \$ 99.

Ganging Kit (70" H)



- Hardware required for installing 2 or 3 cabinets side-by-side

Model

- MGKIT70

Price

- \$ 99.

See Bottom Kits on page 299.

SEE PAGES 96 – 97 FOR TIPS & FEATURES.

Main Line Framed Cabinets – Table of Contents

Main Line Framed Cabinet Tips & Features	121
Main Line Framed Cabinet Worksheet	122
Bryn Mawr® Framed Cabinets	123 – 128
16" Wide, 30" High	123
20" Wide, 30" High	124
24" Wide, 30" High	125
16" Wide, 40" High	126
20" Wide, 40" High	127
24" Wide, 40" High	128
Merion® Framed Cabinets	129 – 134
16" Wide, 30" High	129
20" Wide, 30" High	130
24" Wide, 30" High	131
16" Wide, 40" High	132
20" Wide, 40" High	133
24" Wide, 40" High	134
Rosemont® Framed Cabinets	135 – 140
16" Wide, 30" High	135
20" Wide, 30" High	136
24" Wide, 30" High	137
16" Wide, 40" High	138
20" Wide, 40" High	139
24" Wide, 40" High	140
Main Line Framed Mirrors	203 – 205
Cabinet Accessories	293 – 299



Main Line Framed Cabinets – Tips & Features

Dimensions & Weight

- Dimensions (W x H):
 15-3/8" x 30-1/6" (391 mm x 764 mm)
 15-3/8" x 39-3/8" (391 mm x 1000 mm)
 19-3/8" x 30-1/6" (492 mm x 764 mm)
 19-3/8" x 39-3/8" (492 mm x 1000 mm)
 23-3/4" x 30-1/6" (594 mm x 764 mm)
 23-3/4" x 39-3/8" (594 mm x 1000 mm)
- Depth:
 4" (102 mm)
 6" (152 mm)
- Net Weight (Lbs): 36 – 60.8 lbs

Configurable Options

- Mirror Styles: Bryn Mawr®, Merion®, Rosemont®
- Hinge Side: Reversible, Left or Right
- Upgrade Options: No Upgrade, Electric Upgrade
- Metal Finish Options:
 Satin Nickel, Brushed Nickel, Brushed Black,
 Brushed Bronze, Chrome, Polished Nickel

Features & Benefits

- Available in three uniquely designed frame profiles: Bryn Mawr, Merion, Rosemont
- Frame profiles available in six metal finish options
- Electric option includes one 15A, 120VAC outlet (2 plugs)
- Designed to seamlessly fit in your cabinet, the optional IQ™ Digital Lock Box features improved technology to keep your most important items secure. With key code entry, remote access, and tamper notifications via smartphone, you will have total control over your personal items **NEW!**
- Constructed to operate in high humidity or damp spaces. ETL/UL Certified for damp locations to UL 962, CSA Standard C22.2 No. 68

Construction

- Durable rust-free anodized aluminum and glass construction – resists intense moisture, ensuring long-lasting beauty
- Satin anodized aluminum body
- Quiet close Safeseal™ Gasket with sealed corners on cabinet body
- 3 mirror design – rear of cabinet and both sides of door
- Concealed finger pull-door edge
- 3-way adjustable concealed hinge system: door opening angle 130 degrees

Construction (Continued)

- Adjustable shelving at 2" (51 mm) increments: 3 shelves for 30" H, 4 shelves for 40" H
- 1/4" (6 mm) thick adjustable clear glass shelves
- Frame width: 1-3/4" for Bryn Mawr, 2-9/16" for Merion and 13/16" for Rosemont

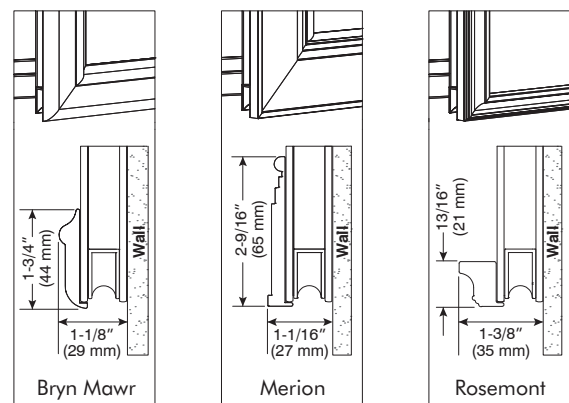
Installation

- Recessed, semi-recessed or surface-mount installation (6" deep cabinets can be semi-recessed by 4")
- Cabinets include hardware for recessed installation. Surface-mount and semi-recess installations require the purchase of a kit which includes the side kit as well as mounting hardware.
- Reversible hinge single door cabinets can be installed with left or right opening. Left or Right = hinge side when facing cabinet.
- Recessed cabinets project 1-1/8" for Bryn Mawr, 1-1/16" for Merion, 1-3/8" for Rosemont and must be recessed no less than 3-3/4" deep for 4" D cabinets
- Electric option cabinet: standard knock out for 1/2" (13mm) cable connector, wired internally – front access serviceability

Accessories

- IQ Digital Lock Box (DLB-16, DLB-20, DLB-24) **NEW!**
- Pull-Out Magnification Mirror (POMM)
- Swing-Out Magnification Mirror (SOMM)
- Glass Bins (GLASSBIN3.25, GLASSBIN5.25, GLASSBIN8.5)
- Push-to-Open Kit (MPUSHKIT)
- Surface-Mount Kit (MSMK30D__, MSMK40D__)
- Semi-Recessed Kit (MSMK30D__SRP, MSMK40D__SRP)
- Bottom Kit (MBK__D_A, MBK__D_ASR)

Frame Details & Dimensions



Main Line Framed Cabinet Worksheet

FEATURES

Select Dimension (W x H):

16" x 30"

16" x 40"

20" x 30"

20" x 40"

24" x 30"

24" x 40"

Select Depth:

4"

6"

Select Mirror Style:

Bryn Mawr® Frame

Merion® Frame

Rosemont® Frame

Select Interior Color:

Classic Gray

Select Hinge Side:

Reversible (Left or Right Hinge) –
leave blank with no space

Left

Right

Select Upgrade Option:

No Upgrade – leave blank with no space

Electric Upgrade, Includes:

Electrical Outlets

USB Charging Ports

Select Metal Finish Option:

Satin Nickel

Brushed Nickel

Brushed Black

Brushed Bronze

Chrome

Polished Nickel

MODEL

DC

G

1630

1640

2030

2040

2430

2440

D4

D6

BM

ME

RM

G

L

R

—

E

70

71

74

75

76

77

CUSTOMER INFORMATION

Name

Address

City/State/Zip

Telephone

Date Ordered

Surface-Mount Side Kit Model (if applicable)

Frame Choice

Notes

Bryn Mawr® Framed Cabinets – 16" W x 30" H



With three framed options, six metal finishes and a variety of size options, Main Line cabinets are versatile enough to enhance any design approach.

- Constructed to operate in high humidity or damp spaces



Two Week
Lead Time

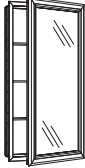
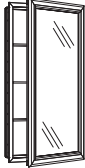


Electrical
Outlet



Magnification
Mirror

Bryn Mawr 16" W x 30" H Cabinets

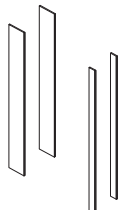
Description	Model	FINISHES		
		70, 71 Price	74, 75 Price	76, 77 Price
4" Deep (D4): 15-1/4" W x 30" H (RO: 14-1/2" W x 29-1/4" H x 4" D)				
 Reversible Hinge	DC1630D4BMG __	\$ 799.	\$ 899.	\$ 1,129.
Left – Electric Upgrade	DC1630D4BMGLE __	\$ 1,079.	\$ 1,199.	\$ 1,429.
Right – Electric Upgrade	DC1630D4BMGRE __	\$ 1,079.	\$ 1,199.	\$ 1,429.
6" Deep (D6): 15-1/4" W x 30" H (RO: 14-1/2" W x 29-1/4" H x 6" D)				
 Reversible Hinge	DC1630D6BMG __	\$ 1,079.	\$ 1,179.	\$ 1,399.
Left – Electric Upgrade	DC1630D6BMGLE __	\$ 1,349.	\$ 1,499.	\$ 1,699.
Right – Electric Upgrade	DC1630D6BMGRE __	\$ 1,349.	\$ 1,499.	\$ 1,699.

Finish Options

Fill in __ designator to Model listed above with desired finish. Example: DC1630D4BMG74.

- 70 Satin Nickel
- 71 Brushed Nickel
- 74 Brushed Black
- 75 Brushed Bronze
- 76 Chrome
- 77 Polished Nickel

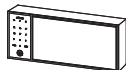
Add-On Accessories & Options



Description	Model	Price
Surface-Mount Kit for 30" H Mirrored Cabinets Quantity 1 = Pair of Side Kits and Mounting Hardware		
D4 Surface-Mount, Polished Edge Mirror	MSMK30D4P	\$ 149.
D6 Surface-Mount, Polished Edge Mirror	MSMK30D6P	\$ 199.
D6 Semi-Recessed, Polished Edge Mirror	MSMK30D6SRP	\$ 149.

See Bottom Kits on page 299.

NEW!



IQ™ Digital Lock Box For use with 16" W cabinets	DLB-16	\$ 399.
--	--------	---------

Other Options:

Main Line Framed Wall Mirrors
See pages 203 – 205.

Magnification Mirrors: POMM,
SOMM, Freestanding and Wall-Mount
See pages 294 – 295.

Glass Bins
See page 296.

SEE PAGE 121 FOR TIPS & FEATURES.

Bryn Mawr® Framed Cabinets – 20" W x 30" H



With three framed options, six metal finishes and a variety of size options, Main Line cabinets are versatile enough to enhance any design approach.

- Constructed to operate in high humidity or damp spaces



Two Week
Lead Time

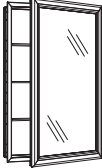
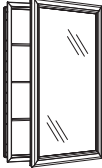
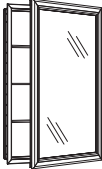


Electrical
Outlet



Magnification
Mirror

Bryn Mawr 20" W x 30" H Cabinets

Description	Model	FINISHES			
		70, 71 Price	74, 75 Price	76 Price	77 Price
4" Deep (D4): 19-1/4" W x 30" H (RO: 18-1/2" W x 29-1/4" H x 4" D)					
 Reversible Hinge	DC2030D4BMG __	\$ 899.	\$ 999.	\$ 1,229.	\$ 1,229.
 Reversible Hinge, IQ™ Digital Lock Box	QDC2030D4BMG __ NEW!	N/A	N/A	\$ 1,628.	N/A
Left – Electric Upgrade	DC2030D4BMGLE __	\$ 1,199.	\$ 1,299.	\$ 1,549.	\$ 1,549.
Right – Electric Upgrade	DC2030D4BMGRE __	\$ 1,199.	\$ 1,299.	\$ 1,549.	\$ 1,549.
6" Deep (D6): 19-1/4" W x 30" H (RO: 18-1/2" W x 29-1/4" H x 6" D)					
 Reversible Hinge	DC2030D6BMG __	\$ 1,179.	\$ 1,299.	\$ 1,529.	\$ 1,529.
Left – Electric Upgrade	DC2030D6BMGLE __	\$ 1,499.	\$ 1,599.	\$ 1,829.	\$ 1,829.
Right – Electric Upgrade	DC2030D6BMGRE __	\$ 1,499.	\$ 1,599.	\$ 1,829.	\$ 1,829.

Finish Options

Fill in __ _ designator to Model listed above with desired finish. Example: DC2030D6BMGLE70.

- 70 Satin Nickel
- 71 Brushed Nickel
- 74 Brushed Black
- 75 Brushed Bronze
- 76 Chrome
- 77 Polished Nickel

Add-On Accessories & Options

Description	Model	Price
Surface-Mount Kit for 30" H Mirrored Cabinets Quantity 1 = Pair of Side Kits and Mounting Hardware		
D4 Surface-Mount, Polished Edge Mirror	MSMK30D4P	\$ 149.
D6 Surface-Mount, Polished Edge Mirror	MSMK30D6P	\$ 199.
D6 Semi-Recessed, Polished Edge Mirror	MSMK30D6SRP	\$ 149.
See Bottom Kits on page 299.		
IQ Digital Lock Box		
For use with 20" W cabinets	DLB-20	\$ 399.

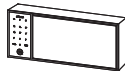
Other Options:

Main Line Framed Wall Mirrors
See pages 203 – 205.

Magnification Mirrors: POMM,
SOMM, Freestanding and Wall-Mount
See pages 294 – 295.

Glass Bins
See page 296.

NEW!



SEE PAGE 121 FOR TIPS & FEATURES.

Bryn Mawr® Framed Cabinets – 24" W x 30" H



With three framed options, six metal finishes and a variety of size options, Main Line cabinets are versatile enough to enhance any design approach.

- Constructed to operate in high humidity or damp spaces



Two Week
Lead Time

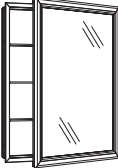
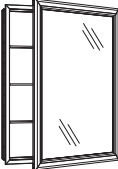


Electrical
Outlet



Magnification
Mirror

Bryn Mawr 24" W x 30" H Cabinets

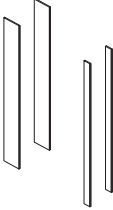
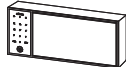
Description	Model	FINISHES			
		70, 71 Price	74, 75, Price	76 Price	77 Price
4" Deep (D4): 23-1/4" W x 30" H (RO: 22-1/2" W x 29-1/4" H x 4" D)					
 Reversible Hinge	DC2430D4BMG __	\$ 999.	\$ 1,129.	\$ 1,349.	\$ 1,349.
Reversible Hinge, IQ™ Digital Lock Box	QDC2430D4BMG __ NEW!	N/A	N/A	\$ 1,748.	N/A
Left – Electric Upgrade	DC2430D4BMGLE __	\$ 1,299.	\$ 1,429.	\$ 1,649.	\$ 1,649.
Right – Electric Upgrade	DC2430D4BMGRE __	\$ 1,299.	\$ 1,429.	\$ 1,649.	\$ 1,649.
6" Deep (D6): 23-1/4" W x 30" H (RO: 22-1/2" W x 29-1/4" H x 6" D)					
 Reversible Hinge	DC2430D6BMG __	\$ 1,299.	\$ 1,399.	\$ 1,629.	\$ 1,629.
Left – Electric Upgrade	DC2430D6BMGLE __	\$ 1,599.	\$ 1,699.	\$ 1,929.	\$ 1,929.
Right – Electric Upgrade	DC2430D6BMGRE __	\$ 1,599.	\$ 1,699.	\$ 1,929.	\$ 1,929.

Finish Options

Fill in __ designator to Model listed above with desired finish. Example: DC2430D4BMGRE76.

- 70 Satin Nickel
- 71 Brushed Nickel
- 74 Brushed Black
- 75 Brushed Bronze
- 76 Chrome
- 77 Polished Nickel

Add-On Accessories & Options

Description	Model	Price	Other Options:
 Surface-Mount Kit for 30" H Mirrored Cabinets Quantity 1 = Pair of Side Kits and Mounting Hardware			Main Line Framed Wall Mirrors See pages 203 – 205.
D4 Surface-Mount, Polished Edge Mirror	MSMK30D4P	\$ 149.	Magnification Mirrors: POMM, SOMM, Freestanding and Wall-Mount See pages 294 – 295.
D6 Surface-Mount, Polished Edge Mirror	MSMK30D6P	\$ 199.	Glass Bins See page 296.
D6 Semi-Recessed, Polished Edge Mirror	MSMK30D6SRP	\$ 149.	
See Bottom Kits on page 299.			
 IQ Digital Lock Box			
For use with 24" W cabinets	DLB-24	\$ 399.	

 **Note:** Models in **bold** indicate Quick Ship product.

SEE PAGE 121 FOR TIPS & FEATURES.

Bryn Mawr® Framed Cabinets – 16" W x 40" H



With three framed options, six metal finishes and a variety of size options, Main Line cabinets are versatile enough to enhance any design approach.

- Constructed to operate in high humidity or damp spaces



Two Week
Lead Time

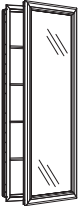
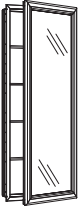


Electrical
Outlet



Magnification
Mirror

Bryn Mawr 16" W x 40" H Cabinets

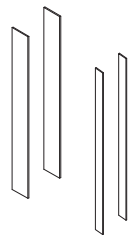
Description	Model	FINISHES		
		70, 71 Price	74, 75 Price	76, 77 Price
4" Deep (D4): 15-1/4" W x 39-3/8" H (RO: 14-1/2" W x 38-5/8" H x 4" D)				
 Reversible Hinge	DC1640D4BMG __	\$ 999.	\$ 1,129.	\$ 1,349.
Left – Electric Upgrade	DC1640D4BMGLE __	\$ 1,299.	\$ 1,429.	\$ 1,649.
Right – Electric Upgrade	DC1640D4BMGRE __	\$ 1,299.	\$ 1,429.	\$ 1,649.
6" Deep (D6): 15-1/4" W x 39-3/8" H (RO: 14-1/2" W x 38-5/8" H x 6" D)				
 Reversible Hinge	DC1640D6BMG __	\$ 1,299.	\$ 1,399.	\$ 1,629.
Left – Electric Upgrade	DC1640D6BMGLE __	\$ 1,599.	\$ 1,699.	\$ 1,929.
Right – Electric Upgrade	DC1640D6BMGRE __	\$ 1,599.	\$ 1,699.	\$ 1,929.

Finish Options

Fill in __ designator to Model listed above with desired finish. Example: DC1640D4BMG74.

- 70 Satin Nickel
- 71 Brushed Nickel
- 74 Brushed Black
- 75 Brushed Bronze
- 76 Chrome
- 77 Polished Nickel

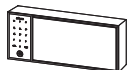
Add-On Accessories & Options



Description	Model	Price
Surface-Mount Kit for 40" H Mirrored Cabinets Quantity 1 = Pair of Side Kits and Mounting Hardware		
D4 Surface-Mount, Polished Edge Mirror	MSMK40D4P	\$ 249.
D6 Surface-Mount, Polished Edge Mirror	MSMK40D6P	\$ 349.
D6 Semi-Recessed, Polished Edge Mirror	MSMK40D6SRP	\$ 249.

See Bottom Kits on page 299.

NEW!



IQ™ Digital Lock Box For use with 16" W cabinets	DLB-16	\$ 399.
--	--------	---------

Other Options:

Main Line Framed Wall Mirrors
See pages 203 – 205.

Magnification Mirrors: POMM,
SOMM, Freestanding and Wall-Mount
See pages 294 – 295.

Glass Bins
See page 296.

SEE PAGE 121 FOR TIPS & FEATURES.

Bryn Mawr® Framed Cabinets – 20" W x 40" H



With three framed options, six metal finishes and a variety of size options, Main Line cabinets are versatile enough to enhance any design approach.

- Constructed to operate in high humidity or damp spaces



Two Week
Lead Time

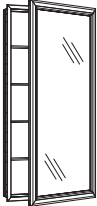
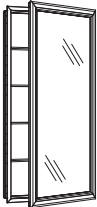


Electrical
Outlet



Magnification
Mirror

Bryn Mawr 20" W x 40" H Cabinets

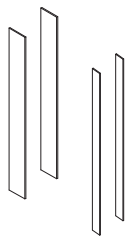
Description	Model	FINISHES		
		70, 71 Price	74, 75 Price	76, 77 Price
4" Deep (D4): 19-1/4" W x 39-3/8" H (RO: 18-1/2" W x 38-5/8" H x 4" D)				
 Reversible Hinge	DC2040D4BMG __	\$ 1,129.	\$ 1,229.	\$ 1,479.
Left – Electric Upgrade	DC2040D4BMGLE __	\$ 1,429.	\$ 1,549.	\$ 1,749.
Right – Electric Upgrade	DC2040D4BMGRE __	\$ 1,429.	\$ 1,549.	\$ 1,749.
6" Deep (D6): 19-1/4" W x 39-3/8" H (RO: 18-1/2" W x 38-5/8" H x 6" D)				
 Reversible Hinge	DC2040D6BMG __	\$ 1,399.	\$ 1,529.	\$ 1,729.
Left – Electric Upgrade	DC2040D6BMGLE __	\$ 1,699.	\$ 1,829.	\$ 2,049.
Right – Electric Upgrade	DC2040D6BMGRE __	\$ 1,699.	\$ 1,829.	\$ 2,049.

Finish Options

Fill in __ designator to Model listed above with desired finish. Example: DC2040D6BMGLE70.

- 70 Satin Nickel
- 71 Brushed Nickel
- 74 Brushed Black
- 75 Brushed Bronze
- 76 Chrome
- 77 Polished Nickel

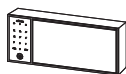
Add-On Accessories & Options



Description	Model	Price
Surface-Mount Kit for 40" H Mirrored Cabinets Quantity 1 = Pair of Side Kits and Mounting Hardware		
D4 Surface-Mount, Polished Edge Mirror	MSMK40D4P	\$ 249.
D6 Surface-Mount, Polished Edge Mirror	MSMK40D6P	\$ 349.
D6 Semi-Recessed, Polished Edge Mirror	MSMK40D6SRP	\$ 249.

See Bottom Kits on page 299.

NEW!



IQ™ Digital Lock Box For use with 20" W cabinets	DLB-20	\$ 399.
--	--------	---------

Other Options:

Main Line Framed Wall Mirrors
See pages 203 – 205.

Magnification Mirrors: POMM,
SOMM, Freestanding and Wall-Mount
See pages 294 – 295.

Glass Bins
See page 296.

SEE PAGE 121 FOR TIPS & FEATURES.

Bryn Mawr® Framed Cabinets – 24" W x 40" H



With three framed options, six metal finishes and a variety of size options, Main Line cabinets are versatile enough to enhance any design approach.

- Constructed to operate in high humidity or damp spaces



Two Week Lead Time

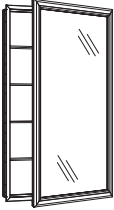
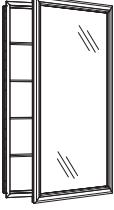


Electrical Outlet



Magnification Mirror

Bryn Mawr 24" W x 40" H Cabinets

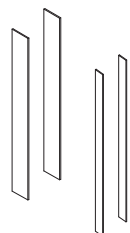
Description	Model	FINISHES			
		70, 71 Price	74, 75 Price	76 Price	77 Price
4" Deep (D4): 23-1/4" W x 39-3/8" H (RO: 22-1/2" W x 38-5/8" H x 4" D)					
 Reversible Hinge	DC2440D4BMG __	\$ 1,229.	\$ 1,349.	\$ 1,579.	\$ 1,579.
Left – Electric Upgrade	DC2440D4BMGLE __	\$ 1,549.	\$ 1,649.	\$ 1,879.	\$ 1,879.
Right – Electric Upgrade	DC2440D4BMGRE __	\$ 1,549.	\$ 1,649.	\$ 1,879.	\$ 1,879.
6" Deep (D6): 23-1/4" W x 39-3/8" H (RO: 22-1/2" W x 38-5/8" H x 6" D)					
 Reversible Hinge	DC2440D6BMG __	\$ 1,529.	\$ 1,629.	\$ 1,829.	\$ 1,829.
Left – Electric Upgrade	DC2440D6BMGLE __	\$ 1,829.	\$ 1,929.	\$ 2,199.	\$ 2,199.
Right – Electric Upgrade	DC2440D6BMGRE __	\$ 1,829.	\$ 1,929.	\$ 2,199.	\$ 2,199.

Finish Options

Fill in __ designator to Model listed above with desired finish. Example: DC2440D4BMGRE76.

70 Satin Nickel	75 Brushed Bronze
71 Brushed Nickel	76 Chrome
74 Brushed Black	77 Polished Nickel

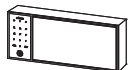
Add-On Accessories & Options



Description	Model	Price
Surface-Mount Kit for 40" H Mirrored Cabinets Quantity 1 = Pair of Side Kits and Mounting Hardware		
D4 Surface-Mount, Polished Edge Mirror	MSMK40D4P	\$ 249.
D6 Surface-Mount, Polished Edge Mirror	MSMK40D6P	\$ 349.
D6 Semi-Recessed, Polished Edge Mirror	MSMK40D6SRP	\$ 249.

See Bottom Kits on page 299.

NEW!



IQ™ Digital Lock Box		
For use with 24" W cabinets	DLB-24	\$ 399.

Other Options:

Main Line Framed Wall Mirrors
See pages 203 – 205.

Magnification Mirrors: POMM, SOMM, Freestanding and Wall-Mount
See pages 294 – 295.

Glass Bins
See page 296.

 **Note:** Models in **bold** indicate Quick Ship product.

SEE PAGE 121 FOR TIPS & FEATURES.

Merion® Framed Cabinets – 16" W x 30" H



With three framed options, six metal finishes and a variety of size options, Main Line cabinets are versatile enough to enhance any design approach.

- Constructed to operate in high humidity or damp spaces





Two Week
Lead Time



Electrical
Outlet



Magnification
Mirror

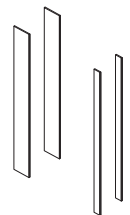
Merion 16" W x 30" H Cabinets		FINISHES			
		70, 71 Price	74, 75 Price	76, 77 Price	
Description	Model				
4" Deep (D4): 15-1/4" W x 30" H (RO: 14-1/2" W x 29-1/4" H x 4" D)					
	Reversible Hinge	DC1630D4MEG __	\$ 799.	\$ 899.	\$ 1,129.
	Left – Electric Upgrade	DC1630D4MEGLE __	\$ 1,079.	\$ 1,199.	\$ 1,429.
	Right – Electric Upgrade	DC1630D4MEGRE __	\$ 1,079.	\$ 1,199.	\$ 1,429.
6" Deep (D6): 15-1/4" W x 30" H (RO: 14-1/2" W x 29-1/4" H x 6" D)					
	Reversible Hinge	DC1630D6MEG __	\$ 1,079.	\$ 1,179.	\$ 1,399.
	Left – Electric Upgrade	DC1630D6MEGLE __	\$ 1,349.	\$ 1,499.	\$ 1,699.
	Right – Electric Upgrade	DC1630D6MEGRE __	\$ 1,349.	\$ 1,499.	\$ 1,699.

Finish Options

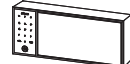
Fill in __ designator to Model listed above with desired finish. Example: DC1630D4MEG74.

- 70 Satin Nickel
- 71 Brushed Nickel
- 74 Brushed Black
- 75 Brushed Bronze
- 76 Chrome
- 77 Polished Nickel

Add-On Accessories & Options



NEW!



Description	Model	Price
Surface-Mount Kit for 30" H Mirrored Cabinets Quantity 1 = Pair of Side Kits and Mounting Hardware		
D4 Surface-Mount, Polished Edge Mirror	MSMK30D4P	\$ 149.
D6 Surface-Mount, Polished Edge Mirror	MSMK30D6P	\$ 199.
D6 Semi-Recessed, Polished Edge Mirror	MSMK30D6SRP	\$ 149.
See Bottom Kits on page 299.		
IQ™ Digital Lock Box		
For use with 16" W cabinets	DLB-16	\$ 399.

Other Options:
 Main Line Framed Wall Mirrors
 See pages 203 – 205.
 Magnification Mirrors: POMM,
 SOMM, Freestanding and Wall-Mount
 See pages 294 – 295.
 Glass Bins
 See page 296.

SEE PAGE 121 FOR TIPS & FEATURES.

Merion® Framed Cabinets – 20" W x 30" H



With three framed options, six metal finishes and a variety of size options, Main Line cabinets are versatile enough to enhance any design approach.

- Constructed to operate in high humidity or damp spaces



Two Week
Lead Time

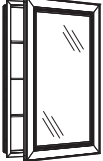
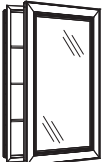


Electrical
Outlet



Magnification
Mirror

Merion 20" W x 30" H Cabinets

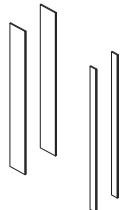
Description	Model	FINISHES			
		70, 71 Price	74, 75 Price	76 Price	77 Price
4" Deep (D4): 19-1/4" W x 30" H (RO: 18-1/2" W x 29-1/4" H x 4" D)					
 Reversible Hinge	DC2030D4MEG __	\$ 899.	\$ 999.	\$ 1,229.	\$ 1,229.
Reversible Hinge, IQ™ Digital Lock Box	QDC2030D4MEG __ NEW!	N/A	N/A	\$ 1,628.	N/A
Left – Electric Upgrade	DC2030D4MEGLE __	\$ 1,199.	\$ 1,299.	\$ 1,549.	\$ 1,549.
Right – Electric Upgrade	DC2030D4MEGRE __	\$ 1,199.	\$ 1,299.	\$ 1,549.	\$ 1,549.
6" Deep (D6): 19-1/4" W x 30" H (RO: 18-1/2" W x 29-1/4" H x 6" D)					
 Reversible Hinge	DC2030D6MEG __	\$ 1,179.	\$ 1,299.	\$ 1,529.	\$ 1,529.
Left – Electric Upgrade	DC2030D6MEGLE __	\$ 1,499.	\$ 1,599.	\$ 1,829.	\$ 1,829.
Right – Electric Upgrade	DC2030D6MEGRE __	\$ 1,499.	\$ 1,599.	\$ 1,829.	\$ 1,829.

Finish Options

Fill in __ designator to Model listed above with desired finish. Example: DC2030D6MEGLE70.

- 70 Satin Nickel
- 71 Brushed Nickel
- 74 Brushed Black
- 75 Brushed Bronze
- 76 Chrome
- 77 Polished Nickel

Add-On Accessories & Options



Description	Model	Price
Surface-Mount Kit for 30" H Mirrored Cabinets Quantity 1 = Pair of Side Kits and Mounting Hardware		
D4 Surface-Mount, Polished Edge Mirror	MSMK30D4P	\$ 149.
D6 Surface-Mount, Polished Edge Mirror	MSMK30D6P	\$ 199.
D6 Semi-Recessed, Polished Edge Mirror	MSMK30D6SRP	\$ 149.
See Bottom Kits on page 299.		
NEW! IQ Digital Lock Box		
For use with 20" W cabinets	DLB-20	\$ 399.

Other Options:

Main Line Framed Wall Mirrors
See pages 203 – 205.

Magnification Mirrors: POMM,
SOMM, Freestanding and Wall-Mount
See pages 294 – 295.

Glass Bins
See page 296.

SEE PAGE 121 FOR TIPS & FEATURES.

Merion® Framed Cabinets – 24" W x 30" H



With three framed options, six metal finishes and a variety of size options, Main Line cabinets are versatile enough to enhance any design approach.

- Constructed to operate in high humidity or damp spaces



Two Week
Lead Time



Electrical
Outlet



Magnification
Mirror

Merion 24" W x 30" H Cabinets		FINISHES				
		70, 71 Price	74, 75 Price	76 Price	77 Price	
4" Deep (D4): 23-1/4" W x 30" H (RO: 22-1/2" W x 29-1/4" H x 4" D)						
	Reversible Hinge	DC2430D4MEG __	\$ 999.	\$ 1,129.	\$ 1,349.	\$ 1,349.
	Reversible Hinge, IQ™ Digital Lock Box	QDC2430D4MEG __	N/A	N/A	\$ 1,748.	N/A
	Left – Electric Upgrade	DC2430D4MEGLE __	\$ 1,299.	\$ 1,429.	\$ 1,649.	\$ 1,649.
	Right – Electric Upgrade	DC2430D4MEGRE __	\$ 1,299.	\$ 1,429.	\$ 1,649.	\$ 1,649.
6" Deep (D6): 23-1/4" W x 30" H (RO: 22-1/2" W x 29-1/4" H x 6" D)						
	Reversible Hinge	DC2430D6MEG __	\$ 1,299.	\$ 1,399.	\$ 1,629.	\$ 1,629.
	Left – Electric Upgrade	DC2430D6MEGLE __	\$ 1,599.	\$ 1,699.	\$ 1,929.	\$ 1,929.
	Right – Electric Upgrade	DC2430D6MEGRE __	\$ 1,599.	\$ 1,699.	\$ 1,929.	\$ 1,929.

Finish Options

Fill in __ designator to Model listed above with desired finish. Example: DC2430D4MEGRE75.

- 70 Satin Nickel
- 71 Brushed Nickel
- 74 Brushed Black
- 75 Brushed Bronze
- 76 Chrome
- 77 Polished Nickel

Add-On Accessories & Options

Description	Model	Price	Other Options:
Surface-Mount Kit for 30" H Mirrored Cabinets Quantity 1 = Pair of Side Kits and Mounting Hardware			
D4 Surface-Mount, Polished Edge Mirror	MSMK30D4P	\$ 149.	Main Line Framed Wall Mirrors See pages 203 – 205. Magnification Mirrors: POMM, SOMM, Freestanding and Wall-Mount See pages 294 – 295. Glass Bins See page 296.
D6 Surface-Mount, Polished Edge Mirror	MSMK30D6P	\$ 199.	
D6 Semi-Recessed, Polished Edge Mirror	MSMK30D6SRP	\$ 149.	
See Bottom Kits on page 299.			
NEW! IQ Digital Lock Box			
For use with 24" W cabinets	DLB-24	\$ 399.	

Note: Models in bold indicate Quick Ship product.

SEE PAGE 121 FOR TIPS & FEATURES.

Merion® Framed Cabinets – 16" W x 40" H



With three framed options, six metal finishes and a variety of size options, Main Line cabinets are versatile enough to enhance any design approach.

- Constructed to operate in high humidity or damp spaces



Two Week
Lead Time


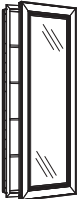


Electrical
Outlet



Magnification
Mirror

Merion 16" W x 40" H Cabinets

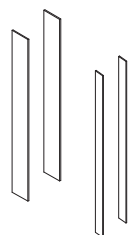
Description	Model	FINISHES		
		70, 71 Price	74, 75 Price	76, 77 Price
4" Deep (D4): 15-1/4" W x 39-3/8" H (RO: 14-1/2" W x 38-5/8" H x 4" D)				
 Reversible Hinge	DC1640D4MEG __	\$ 999.	\$ 1,129.	\$ 1,349.
Left – Electric Upgrade	DC1640D4MEGLE __	\$ 1,299.	\$ 1,429.	\$ 1,649.
Right – Electric Upgrade	DC1640D4MEGRE __	\$ 1,299.	\$ 1,429.	\$ 1,649.
6" Deep (D6): 15-1/4" W x 39-3/8" H (RO: 14-1/2" W x 38-5/8" H x 6" D)				
 Reversible Hinge	DC1640D6MEG __	\$ 1,299.	\$ 1,399.	\$ 1,629.
Left – Electric Upgrade	DC1640D6MEGLE __	\$ 1,599.	\$ 1,699.	\$ 1,929.
Right – Electric Upgrade	DC1640D6MEGRE __	\$ 1,599.	\$ 1,699.	\$ 1,929.

Finish Options

Fill in __ designator to Model listed above with desired finish. Example: DC1640D4MEG74.

- 70 Satin Nickel
- 71 Brushed Nickel
- 74 Brushed Black
- 75 Brushed Bronze
- 76 Chrome
- 77 Polished Nickel

Add-On Accessories & Options



Description	Model	Price
Surface-Mount Kit for 40" H Mirrored Cabinets Quantity 1 = Pair of Side Kits and Mounting Hardware		
D4 Surface-Mount, Polished Edge Mirror	MSMK40D4P	\$ 249.
D6 Surface-Mount, Polished Edge Mirror	MSMK40D6P	\$ 349.
D6 Semi-Recessed, Polished Edge Mirror	MSMK40D6SRP	\$ 249.

See Bottom Kits on page 299.

NEW!



IQ™ Digital Lock Box For use with 16" W cabinets	DLB-16	\$ 399.
--	--------	---------

Other Options:

Main Line Framed Wall Mirrors
See pages 203 – 205.

Magnification Mirrors: POMM,
SOMM, Freestanding and Wall-Mount
See pages 294 – 295.

Glass Bins
See page 296.

SEE PAGE 121 FOR TIPS & FEATURES.

Merion® Framed Cabinets – 20" W x 40" H



With three framed options, six metal finishes and a variety of size options, Main Line cabinets are versatile enough to enhance any design approach.

- Constructed to operate in high humidity or damp spaces



Two Week
Lead Time

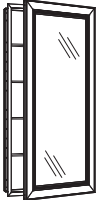
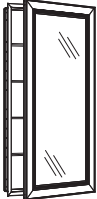


Electrical
Outlet



Magnification
Mirror

Merion 20" W x 40" H Cabinets

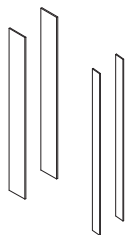
Description	Model	FINISHES		
		70, 71 Price	74, 75 Price	76, 77 Price
4" Deep (D4): 19-1/4" W x 39-3/8" H (RO: 18-1/2" W x 38-5/8" H x 4" D)				
 Reversible Hinge	DC2040D4MEG __	\$ 1,129.	\$ 1,229.	\$ 1,479.
Left – Electric Upgrade	DC2040D4MEGLE __	\$ 1,429.	\$ 1,549.	\$ 1,749.
Right – Electric Upgrade	DC2040D4MEGRE __	\$ 1,429.	\$ 1,549.	\$ 1,749.
6" Deep (D6): 19-1/4" W x 39-3/8" H (RO: 18-1/2" W x 38-5/8" H x 6" D)				
 Reversible Hinge	DC2040D6MEG __	\$ 1,399.	\$ 1,529.	\$ 1,729.
Left – Electric Upgrade	DC2040D6MEGLE __	\$ 1,699.	\$ 1,829.	\$ 2,049.
Right – Electric Upgrade	DC2040D6MEGRE __	\$ 1,699.	\$ 1,829.	\$ 2,049.

Finish Options

Fill in __ designator to Model listed above with desired finish. Example: DC2040D6MEGLE70.

- 70 Satin Nickel
- 71 Brushed Nickel
- 74 Brushed Black
- 75 Brushed Bronze
- 76 Chrome
- 77 Polished Nickel

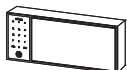
Add-On Accessories & Options



Description	Model	Price
Surface-Mount Kit for 40" H Mirrored Cabinets Quantity 1 = Pair of Side Kits and Mounting Hardware		
D4 Surface-Mount, Polished Edge Mirror	MSMK40D4P	\$ 249.
D6 Surface-Mount, Polished Edge Mirror	MSMK40D6P	\$ 349.
D6 Semi-Recessed, Polished Edge Mirror	MSMK40D6SRP	\$ 249.

See Bottom Kits on page 299.

NEW!



IQ™ Digital Lock Box For use with 20" W cabinets	DLB-20	\$ 399.
--	--------	---------

Other Options:

Main Line Framed Wall Mirrors
See pages 203 – 205.

Magnification Mirrors: POMM,
SOMM, Freestanding and Wall-Mount
See pages 294 – 295.

Glass Bins
See page 296.

SEE PAGE 121 FOR TIPS & FEATURES.

Merion® Framed Cabinets – 24" W x 40" H



With three framed options, six metal finishes and a variety of size options, Main Line cabinets are versatile enough to enhance any design approach.

- Constructed to operate in high humidity or damp spaces



Two Week
Lead Time

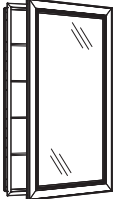
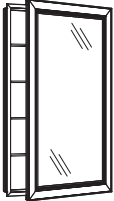


Electrical
Outlet



Magnification
Mirror

Merion 24" W x 40" H Cabinets

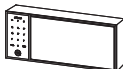
Description	Model	FINISHES			
		70, 71 Price	74, 75 Price	76 Price	77 Price
4" Deep (D4): 23-1/4" W x 39-3/8" H (RO: 22-1/2" W x 38-5/8" H x 4" D)					
 Reversible Hinge	DC2440D4MEG __	\$ 1,229.	\$ 1,349.	\$ 1,579.	\$ 1,579.
Left – Electric Upgrade	DC2440D4MEGLE __	\$ 1,549.	\$ 1,649.	\$ 1,879.	\$ 1,879.
Right – Electric Upgrade	DC2440D4MEGRE __	\$ 1,549.	\$ 1,649.	\$ 1,879.	\$ 1,879.
6" Deep (D6): 23-1/4" W x 39-3/8" H (RO: 22-1/2" W x 38-5/8" H x 6" D)					
 Reversible Hinge	DC2440D6MEG __	\$ 1,529.	\$ 1,629.	\$ 1,829.	\$ 1,829.
Left – Electric Upgrade	DC2440D6MEGLE __	\$ 1,829.	\$ 1,929.	\$ 2,199.	\$ 2,199.
Right – Electric Upgrade	DC2440D6MEGRE __	\$ 1,829.	\$ 1,929.	\$ 2,199.	\$ 2,199.

Finish Options

Fill in __ designator to Model listed above with desired finish. Example: DC2440D4MEGRE76.

70 Satin Nickel	75 Brushed Bronze
71 Brushed Nickel	76 Chrome
74 Brushed Black	77 Polished Nickel

Add-On Accessories & Options

Description	Model	Price
Surface-Mount Kit for 40" H Mirrored Cabinets Quantity 1 = Pair of Side Kits and Mounting Hardware		
D4 Surface-Mount, Polished Edge Mirror	MSMK40D4P	\$ 249.
D6 Surface-Mount, Polished Edge Mirror	MSMK40D6P	\$ 349.
D6 Semi-Recessed, Polished Edge Mirror	MSMK40D6SRP	\$ 249.
See Bottom Kits on page 299.		
NEW!  IQ™ Digital Lock Box	DLB-24	\$ 399.

Other Options:

Main Line Framed Wall Mirrors
See pages 203 – 205.

Magnification Mirrors: POMM,
SOMM, Freestanding and Wall-Mount
See pages 294 – 295.

Glass Bins
See page 296.

 **Note:** Models in **bold** indicate Quick Ship product.

SEE PAGE 121 FOR TIPS & FEATURES.

Rosemont® Framed Cabinets – 16" W x 30" H



With three framed options, six metal finishes and a variety of size options, Main Line cabinets are versatile enough to enhance any design approach.

- Constructed to operate in high humidity or damp spaces



Two Week Lead Time

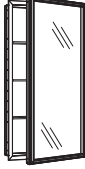
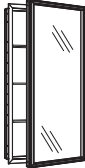


Electrical Outlet



Magnification Mirror

Rosemont 16" W x 30" H Cabinets

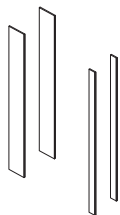
Description	Model	FINISHES		
		70, 71 Price	74, 75 Price	76, 77 Price
4" Deep (D4): 15-1/4" W x 30" H (RO: 14-1/2" W x 29-1/4" H x 4" D)				
 Reversible Hinge	DC1630D4RMG __	\$ 799.	\$ 899.	\$ 1,129.
Left – Electric Upgrade	DC1630D4RMGLE __	\$ 1,079.	\$ 1,199.	\$ 1,429.
Right – Electric Upgrade	DC1630D4RMGRE __	\$ 1,079.	\$ 1,199.	\$ 1,429.
6" Deep (D6): 15-1/4" W x 30" H (RO: 14-1/2" W x 29-1/4" H x 6" D)				
 Reversible Hinge	DC1630D6RMG __	\$ 1,079.	\$ 1,179.	\$ 1,399.
Left – Electric Upgrade	DC1630D6RMGLE __	\$ 1,349.	\$ 1,499.	\$ 1,699.
Right – Electric Upgrade	DC1630D6RMGRE __	\$ 1,349.	\$ 1,499.	\$ 1,699.

Finish Options

Fill in __ designator to Model listed above with desired finish. Example: DC1630D4RMG74.

- 70 Satin Nickel
- 71 Brushed Nickel
- 74 Brushed Black
- 75 Brushed Bronze
- 76 Chrome
- 77 Polished Nickel

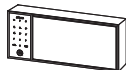
Add-On Accessories & Options



Description	Model	Price
Surface-Mount Kit for 30" H Mirrored Cabinets Quantity 1 = Pair of Side Kits and Mounting Hardware		
D4 Surface-Mount, Polished Edge Mirror	MSMK30D4P	\$ 149.
D6 Surface-Mount, Polished Edge Mirror	MSMK30D6P	\$ 199.
D6 Semi-Recessed, Polished Edge Mirror	MSMK30D6SRP	\$ 149.

See Bottom Kits on page 299.

NEW!



IQ™ Digital Lock Box For use with 16" W cabinets	DLB-16	\$ 399.
--	--------	---------

Other Options:

Main Line Framed Wall Mirrors
See pages 203 – 205.

Magnification Mirrors: POMM,
SOMM, Freestanding and Wall-Mount
See pages 294 – 295.

Glass Bins
See page 296.

SEE PAGE 121 FOR TIPS & FEATURES.

Rosemont® Framed Cabinets – 20" W x 30" H



With three framed options, six metal finishes and a variety of size options, Main Line cabinets are versatile enough to enhance any design approach.

- Constructed to operate in high humidity or damp spaces



Two Week
Lead Time

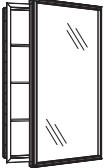
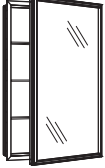


Electrical
Outlet



Magnification
Mirror

Rosemont 20" W x 30" H Cabinets

Description	Model	FINISHES			
		70, 71 Price	74, 75 Price	76 Price	77 Price
4" Deep (D4): 19-1/4" W x 30" H (RO: 18-1/2" W x 29-1/4" H x 4" D)					
 Reversible Hinge	DC2030D4RMG __	\$ 899.	\$ 999.	\$ 1,229.	\$ 1,229.
Reversible Hinge, IQ™ Digital Lock Box	QDC2030D4RMG __	N/A	N/A	\$ 1,628.	N/A
	NEW!				
Left – Electric Upgrade	DC2030D4RMGLE __	\$ 1,199.	\$ 1,299.	\$ 1,549.	\$ 1,549.
Right – Electric Upgrade	DC2030D4RMGRE __	\$ 1,199.	\$ 1,299.	\$ 1,549.	\$ 1,549.
6" Deep (D6): 19-1/4" W x 30" H (RO: 18-1/2" W x 29-1/4" H x 6" D)					
 Reversible Hinge	DC2030D6RMG __	\$ 1,179.	\$ 1,299.	\$ 1,529.	\$ 1,529.
Left – Electric Upgrade	DC2030D6RMGLE __	\$ 1,499.	\$ 1,599.	\$ 1,829.	\$ 1,829.
Right – Electric Upgrade	DC2030D6RMGRE __	\$ 1,499.	\$ 1,599.	\$ 1,829.	\$ 1,829.

Finish Options

Fill in __ designator to Model listed above with desired finish. Example: DC2030D6RMGLE70.

- 70 Satin Nickel
- 71 Brushed Nickel
- 74 Brushed Black
- 75 Brushed Bronze
- 76 Chrome
- 77 Polished Nickel

Add-On Accessories & Options

Description	Model	Price	Other Options:
Surface-Mount Kit for 30" H Mirrored Cabinets Quantity 1 = Pair of Side Kits and Mounting Hardware			
D4 Surface-Mount, Polished Edge Mirror	MSMK30D4P	\$ 149.	Main Line Framed Wall Mirrors See pages 203 – 205.
D6 Surface-Mount, Polished Edge Mirror	MSMK30D6P	\$ 199.	Magnification Mirrors: POMM, SOMM, Freestanding and Wall-Mount See pages 294 – 295.
D6 Semi-Recessed, Polished Edge Mirror	MSMK30D6SRP	\$ 149.	Glass Bins See page 296.
See Bottom Kits on page 299.			
NEW! IQ Digital Lock Box			
For use with 20" W cabinets	DLB-20	\$ 399.	

SEE PAGE 121 FOR TIPS & FEATURES.

Rosemont® Framed Cabinets – 24" W x 30" H



With three framed options, six metal finishes and a variety of size options, Main Line cabinets are versatile enough to enhance any design approach.

- Constructed to operate in high humidity or damp spaces



Two Week Lead Time



Electrical Outlet



Magnification Mirror

Rosemont 24" W x 30" H Cabinets

Description	Model	FINISHES				
		70, 71 Price	74, 75 Price	76 Price	77 Price	
4" Deep (D4): 23-1/4" W x 30" H (RO: 22-1/2" W x 29-1/4" H x 4" D)						
	Reversible Hinge	DC2430D4RMG __	\$ 999.	\$ 1,129.	\$ 1,349.	\$ 1,349.
	Reversible Hinge, IQ™ Digital Lock Box	QDC2430D4RMG __	N/A	N/A	\$ 1,748.	N/A
	Left – Electric Upgrade	DC2430D4RMGLE __	\$ 1,299.	\$ 1,429.	\$ 1,649.	\$ 1,649.
	Right – Electric Upgrade	DC2430D4RMGRE __	\$ 1,299.	\$ 1,429.	\$ 1,649.	\$ 1,649.
6" Deep (D6): 23-1/4" W x 30" H (RO: 22-1/2" W x 29-1/4" H x 6" D)						
	Reversible Hinge	DC2430D6RMG __	\$ 1,299.	\$ 1,399.	\$ 1,629.	\$ 1,629.
	Left – Electric Upgrade	DC2430D6RMGLE __	\$ 1,599.	\$ 1,699.	\$ 1,929.	\$ 1,929.
	Right – Electric Upgrade	DC2430D6RMGRE __	\$ 1,599.	\$ 1,699.	\$ 1,929.	\$ 1,929.

Finish Options

Fill in __ designator to Model listed above with desired finish. Example: DC2430D4RMGRE76.

- 70 Satin Nickel
- 71 Brushed Nickel
- 74 Brushed Black
- 75 Brushed Bronze
- 76 Chrome
- 77 Polished Nickel

Add-On Accessories & Options

Description	Model	Price	Other Options:
Surface-Mount Kit for 30" H Mirrored Cabinets Quantity 1 = Pair of Side Kits and Mounting Hardware			
D4 Surface-Mount, Polished Edge Mirror	MSMK30D4P	\$ 149.	Main Line Framed Wall Mirrors See pages 203 – 205. Magnification Mirrors: POMM, SOMM, Freestanding and Wall-Mount See pages 294 – 295.
D6 Surface-Mount, Polished Edge Mirror	MSMK30D6P	\$ 199.	
D6 Semi-Recessed, Polished Edge Mirror	MSMK30D6SRP	\$ 149.	
See Bottom Kits on page 299.			
IQ Digital Lock Box			Glass Bins See page 296.
For use with 24" W cabinets	DLB-24	\$ 399.	

Note: Models in **bold** indicate Quick Ship product.

SEE PAGE 121 FOR TIPS & FEATURES.

Rosemont® Framed Cabinets – 16" W x 40" H



With three framed options, six metal finishes and a variety of size options, Main Line cabinets are versatile enough to enhance any design approach.

- Constructed to operate in high humidity or damp spaces



Two Week
Lead Time


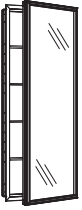


Electrical
Outlet



Magnification
Mirror

Rosemont 16" W x 40" H Cabinets

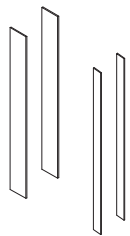
Description	Model	FINISHES		
		70, 71 Price	74, 75 Price	76, 77 Price
4" Deep (D4): 15-1/4" W x 39-3/8" H (RO: 14-1/2" W x 38-5/8" H x 4" D)				
 Reversible Hinge	DC1640D4RMG __	\$ 999.	\$ 1,129.	\$ 1,349.
Left – Electric Upgrade	DC1640D4RMGLE __	\$ 1,299.	\$ 1,429.	\$ 1,649.
Right – Electric Upgrade	DC1640D4RMGRE __	\$ 1,299.	\$ 1,429.	\$ 1,649.
6" Deep (D6): 15-1/4" W x 39-3/8" H (RO: 14-1/2" W x 38-5/8" H x 6" D)				
 Reversible Hinge	DC1640D6RMG __	\$ 1,299.	\$ 1,399.	\$ 1,629.
Left – Electric Upgrade	DC1640D6RMGLE __	\$ 1,599.	\$ 1,699.	\$ 1,929.
Right – Electric Upgrade	DC1640D6RMGRE __	\$ 1,599.	\$ 1,699.	\$ 1,929.

Finish Options

Fill in __ designator to Model listed above with desired finish. Example: DC1640D4RMG74.

- 70 Satin Nickel
- 71 Brushed Nickel
- 74 Brushed Black
- 75 Brushed Bronze
- 76 Chrome
- 77 Polished Nickel

Add-On Accessories & Options



Description

Surface-Mount Kit for 40" H Mirrored Cabinets
Quantity 1 = Pair of Side Kits and Mounting Hardware

D4 Surface-Mount, Polished Edge Mirror MSMK40D4P \$ 249.

D6 Surface-Mount, Polished Edge Mirror MSMK40D6P \$ 349.

D6 Semi-Recessed, Polished Edge Mirror MSMK40D6SRP \$ 249.

See Bottom Kits on page 299.

IQ™ Digital Lock Box

For use with 16" W cabinets DLB-16 \$ 399.

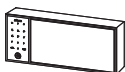
Other Options:

Main Line Framed Wall Mirrors
See pages 203 – 205.

Magnification Mirrors: POMM,
SOMM, Freestanding and Wall-Mount
See pages 294 – 295.

Glass Bins
See page 296.

NEW!



SEE PAGE 121 FOR TIPS & FEATURES.

Rosemont® Framed Cabinets – 20" W x 40" H



With three framed options, six metal finishes and a variety of size options, Main Line cabinets are versatile enough to enhance any design approach.

- Constructed to operate in high humidity or damp spaces



Two Week Lead Time



Electrical Outlet



Magnification Mirror

Rosemont 20" W x 40" H Cabinets

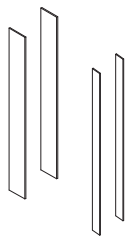
Description	Model	FINISHES			
		70, 71 Price	74, 75 Price	76, 77 Price	
4" Deep (D4): 19-1/4" W x 39-3/8" H (RO: 18-1/2" W x 38-5/8" H x 4" D)					
	Reversible Hinge	DC2040D4RMG __	\$ 1,129.	\$ 1,229.	\$ 1,479.
	Left – Electric Upgrade	DC2040D4RMGLE __	\$ 1,429.	\$ 1,549.	\$ 1,749.
	Right – Electric Upgrade	DC2040D4RMGRE __	\$ 1,429.	\$ 1,549.	\$ 1,749.
6" Deep (D6): 19-1/4" W x 39-3/8" H (RO: 18-1/2" W x 38-5/8" H x 6" D)					
	Reversible Hinge	DC2040D6RMG __	\$ 1,399.	\$ 1,529.	\$ 1,729.
	Left – Electric Upgrade	DC2040D6RMGLE __	\$ 1,699.	\$ 1,829.	\$ 2,049.
	Right – Electric Upgrade	DC2040D6RMGRE __	\$ 1,699.	\$ 1,829.	\$ 2,049.

Finish Options

Fill in __ designator to Model listed above with desired finish. Example: DC2040D6RMGLE70.

- 70 Satin Nickel
- 71 Brushed Nickel
- 74 Brushed Black
- 75 Brushed Bronze
- 76 Chrome
- 77 Polished Nickel

Add-On Accessories & Options



Description

Surface-Mount Kit for 40" H Mirrored Cabinets
Quantity 1 = Pair of Side Kits and Mounting Hardware

Description	Model	Price
D4 Surface-Mount, Polished Edge Mirror	MSMK40D4P	\$ 249.
D6 Surface-Mount, Polished Edge Mirror	MSMK40D6P	\$ 349.
D6 Semi-Recessed, Polished Edge Mirror	MSMK40D6SRP	\$ 249.

See Bottom Kits on page 299.

IQ™ Digital Lock Box

For use with 20" W cabinets	DLB-20	\$ 399.
-----------------------------	--------	---------

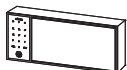
Other Options:

Main Line Framed Wall Mirrors
See pages 203 – 205.

Magnification Mirrors: POMM,
SOMM, Freestanding and Wall-Mount
See pages 294 – 295.

Glass Bins
See page 296.

NEW!



SEE PAGE 121 FOR TIPS & FEATURES.

Rosemont® Framed Cabinets – 24" W x 40" H



With three framed options, six metal finishes and a variety of size options, Main Line cabinets are versatile enough to enhance any design approach.

- Constructed to operate in high humidity or damp spaces



Two Week Lead Time

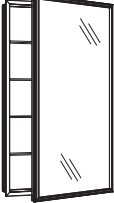
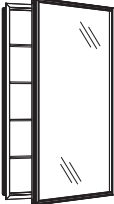


Electrical Outlet



Magnification Mirror

Rosemont 24" W x 40" H Cabinets

Description	Model	FINISHES			
		70, 71 Price	74, 75 Price	76 Price	77 Price
4" Deep (D4): 23-1/4" W x 39-3/8" H (RO: 22-1/2" W x 38-5/8" H x 4" D)					
 Reversible Hinge	DC2440D4RMG __	\$ 1,229.	\$ 1,349.	\$ 1,579.	\$ 1,579.
Left – Electric Upgrade	DC2440D4RMGLE __	\$ 1,549.	\$ 1,649.	\$ 1,879.	\$ 1,879.
Right – Electric Upgrade	DC2440D4RMGRE __	\$ 1,549.	\$ 1,649.	\$ 1,879.	\$ 1,879.
6" Deep (D6): 23-1/4" W x 39-3/8" H (RO: 22-1/2" W x 38-5/8" H x 6" D)					
 Reversible Hinge	DC2440D6RMG __	\$ 1,529.	\$ 1,629.	\$ 1,829.	\$ 1,829.
Left – Electric Upgrade	DC2440D6RMGLE __	\$ 1,829.	\$ 1,929.	\$ 2,199.	\$ 2,199.
Right – Electric Upgrade	DC2440D6RMGRE __	\$ 1,829.	\$ 1,929.	\$ 2,199.	\$ 2,199.

Finish Options

Fill in __ designator to Model listed above with desired finish. Example: DC2440D4RMGRE76.

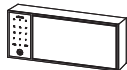
70 Satin Nickel	75 Brushed Bronze
71 Brushed Nickel	76 Chrome
74 Brushed Black	77 Polished Nickel

Add-On Accessories & Options

Description	Model	Price
Surface-Mount Kit for 40" H Mirrored Cabinets Quantity 1 = Pair of Side Kits and Mounting Hardware		
D4 Surface-Mount, Polished Edge Mirror	MSMK40D4P	\$ 249.
D6 Surface-Mount, Polished Edge Mirror	MSMK40D6P	\$ 349.
D6 Semi-Recessed, Polished Edge Mirror	MSMK40D6SRP	\$ 249.

See Bottom Kits on page 299.

NEW!



IQ™ Digital Lock Box For use with 24" W cabinets	DLB-24	\$ 399.
--	--------	---------

Other Options:

Main Line Framed Wall Mirrors
See pages 203 – 205.

Magnification Mirrors: POMM,
SOMM, Freestanding and Wall-Mount
See pages 294 – 295.

Glass Bins
See page 296.

 **Note:** Models in **bold** indicate Quick Ship product.

SEE PAGE 121 FOR TIPS & FEATURES.

PL Series Cabinets – Table of Contents

PL Series Tips & Features	142
PL Series Cabinet Worksheet	143
PL Series Cabinets	144 – 147
16" Wide Cabinets	144
20" Wide Cabinets	145
24" Wide Cabinets	146
30" Wide, 3 Door Cabinets	147
36" Wide, 3 Door Cabinets	147
Lighting Options	160 – 175
Cabinet Accessories	293 – 299
Cabinet Ganging Reference	37



PL Series Cabinets – Tips & Features

Dimensions & Weight

- Dimensions (W x H):
15-1/4" x 30" (387 mm x 762 mm)
15-1/4" x 39-3/8" (387 mm x 1000 mm)
19-1/4" x 30" (489 mm x 762 mm)
19-1/4" x 39-3/8" (489 mm x 1000 mm)
23-1/4" x 30" (591 mm x 762 mm)
23-1/4" x 39-3/8" (591 mm x 1000 mm)
30" x 30" (762 mm x 762 mm)
36" x 30" (914 mm x 762 mm)
- Depth: 4" (102 mm)
- Net Weight: 29.5 – 66.5 lbs

Configurable Options

- Edge Type: Polished Edge or Bevel Edge;
Three Door is Bevel Edge only
- Hinge Side: Reversible, Left or Right
- Upgrade Options: No Upgrade, Electric Upgrade

Features & Benefits

- Door styles: Single Door and Three Door
- 1/2" bevel or polished edge mirror door
- Electric option includes one 15A, 120VAC outlet (2 plugs); three door cabinet outlet located in the left compartment
- Cabinets can be ganged horizontally or vertically, offering semi-custom configurations
- Pair with modular lighting for a coordinated look
- Designed to seamlessly fit in your cabinet, the optional IQ™ Digital Lock Box features improved technology to keep your most important items secure. With key code entry, remote access, and tamper notifications via smartphone, you will have total control over your personal items **NEW!**
- Constructed to operate in high humidity or damp spaces. ETL/UL Certified for damp locations to UL 962, CSA Standard C22.2 No. 68

Construction

- Durable rust-free anodized aluminum and glass construction – resists intense moisture, ensuring long-lasting beauty
- Satin anodized aluminum body

Construction (Continued)

- Quiet close Safeseal™ Gasket with sealed corners on cabinet body
- 3 mirror design – rear of cabinet and both sides of door
- Concealed finger pull-door edge
- Door opening angle 170 degrees (110 with provided stop): Blum self-closing hinges (3 door cabinets open 100 degrees)
- 3-way adjustable concealed hinge system
- Adjustable shelving at 2" (51 mm) increments: 3 shelves for 30" H, 4 shelves for 40" H
- 1/4" (6 mm) thick adjustable clear glass shelves
- All 30" and 36" W cabinets have three bevel edge doors

Installation

- Recessed or surface-mount installation
- Cabinets include hardware for recessed installation. Surface-mount installations require the purchase of a surface-mount kit which includes the side kit as well as mounting hardware.
- Recessed cabinets project 7/8" from wall and must be recessed no less than 3-3/4" deep
- Reversible hinge door cabinets can be installed with left or right opening. Left or Right = hinge side when facing cabinet.
- IQ Digital Lock Box cannot be used with Three Door Cabinets
- PLGKIT includes hardware to gang both sides of a cabinet. As a result, three cabinets can be ganged together from one PLGKIT.

Accessories

- IQ Digital Lock Box (DLB-16, DLB-20, DLB-24) **NEW!**
- Swing-Out Magnification Mirror (SOMM)
- Pull-Out Magnification Mirror (POMM)
- Chrome Handle Kit (MHANDLEKIT)
- Push-to-Open Kit (MPUSHKIT)
- Glass Bins (GLASSBIN3.25, GLASSBIN5.25, GLASSBIN8.5)
- Surface-Mount Kit (PLSMK30D4P, PLSMK40D4P)
- Ganging Kit (PLGKIT)
- Stacking Filler System (MSF-*)
- Bottom Kit (MBK__D_A, MBK__D_ASR)



PL Series Cabinet Worksheet

FEATURES

Select Dimension (W x H):

16" x 30"

16" x 40"

20" x 30"

20" x 40"

24" x 30"

24" x 40"

30" x 30"

36" x 30"

Select Interior Color:

Classic Gray

Select Mirror Style:

Polished Edge – leave blank with no space

Bevel Edge

Select Hinge Side:

Reversible (Left or Right Hinge) –
leave blank with no space

Left

Right

Select Upgrade Option:

No Upgrade – leave blank with no space

Electric Upgrade, Includes:

Electrical Outlets

USB Charging Ports

MODEL

PLM

G

1630

1640

2030

2040

2430

2440

3030*

3630*

G

B

L

R

E

Note:

* Available for Tri-View cabinet only;
not available in Bevel Edge.

CUSTOMER INFORMATION

Name

Address

City/State/Zip

Telephone

Date Ordered

Light Selection

Surface-Mount Side Kit Model (if applicable)

Notes

PL Series Cabinets – PLM16 – 15-1/4" Wide Door



Affordable yet luxurious, PL Series cabinets offer reliable performance and enduring visual appeal. With their modular versatility, these cabinets can be ganged or stacked to meet the needs of your space.

- Constructed to operate in high humidity or damp spaces



Two Week Lead Time



Modular



Electrical Outlet



Magnification Mirror

15-1/4" W PLM16 Cabinets

	Description	Model	Price
Flat Door – 15-1/4" W x 30" H (RO: 14-1/2" W x 29-1/4" H x 4" D)			
	Polished Edge – Reversible Hinge	PLM1630G	\$ 549.
	Polished Edge – Reversible Hinge – IQ™ Digital Lock Box	NEW! QPLM1630G	\$ 948.
	Bevel Edge – Reversible Hinge	PLM1630GB	\$ 549.
	Polished Edge – Left – Electric Upgrade	PLM1630GLE	\$ 879.
	Bevel Edge – Left – Electric Upgrade	PLM1630GBLE	\$ 879.
	Polished Edge – Right – Electric Upgrade	PLM1630GRE	\$ 879.
	Bevel Edge – Right – Electric Upgrade	PLM1630GBRE	\$ 879.
Flat Door – 15-1/4" W x 39-3/8" H (RO: 14-1/2" W x 38-5/8" H x 4" D)			
	Polished Edge – Reversible Hinge	PLM1640G	\$ 679.
	Bevel Edge – Reversible Hinge	PLM1640GB	\$ 679.
	Polished Edge – Left – Electric Upgrade	PLM1640GLE	\$ 979.
	Bevel Edge – Left – Electric Upgrade	PLM1640GBLE	\$ 979.
	Polished Edge – Right – Electric Upgrade	PLM1640GRE	\$ 979.
	Bevel Edge – Right – Electric Upgrade	PLM1640GBRE	\$ 979.

Add-On Accessories & Options

	Description	Model	Price	Light Options include:
	Surface-Mount Kit for Cabinets Quantity 1 = Pair of Side Kits and Mounting Hardware			Modular Lights Sconces Refer to pages 160 – 175 for more information.
	30" H Polished Edge Mirror	PLSMK30D4P	\$ 149.	
	40" H Polished Edge Mirror	PLSMK40D4P	\$ 249.	Other Options: Magnification Mirrors: POMM, SOMM, Freestanding and Wall-Mount See pages 294 – 295. Glass Bins See page 296.
NEW! 	IQ Digital Lock Box For use with 16" W cabinets	DLB-16	\$ 399.	
	PL Ganging Kit Hardware required for installing 2 or 3 cabinets side-by-side	PLGKIT	\$ 49.	
	See Bottom Kits on page 299.			

Note: Models in **bold** indicate Quick Ship product.

SEE PAGE 142 FOR TIPS & FEATURES.

PL Series Cabinets – PLM20 – 19-1/4" Wide Door



Affordable yet luxurious, PL Series cabinets offer reliable performance and enduring visual appeal. With their modular versatility, these cabinets can be ganged or stacked to meet the needs of your space.

- Constructed to operate in high humidity or damp spaces



Two Week Lead Time



Modular



Electrical Outlet



Magnification Mirror

19-1/4" W PLM20 Cabinets

Description	Model	Price
Flat Door – 19-1/4" W x 30" H (RO: 18-1/2" W x 29-1/4" H x 4" D)		
	Polished Edge – Reversible Hinge	PLM2030G \$ 599.
	Polished Edge – Reversible Hinge – IQ™ Digital Lock Box NEW!	QPLM2030G \$ 998.
	Bevel Edge – Reversible Hinge	PLM2030GB \$ 599.
	Polished Edge – Left – Electric Upgrade	PLM2030GLE \$ 929.
	Bevel Edge – Left – Electric Upgrade	PLM2030GBLE \$ 929.
	Polished Edge – Right – Electric Upgrade	PLM2030GRE \$ 929.
	Bevel Edge – Right – Electric Upgrade	PLM2030GBRE \$ 929.
Flat Door – 19-1/4" W x 39-3/8" H (RO: 18-1/2" W x 38-5/8" H x 4" D)		
	Polished Edge – Reversible Hinge	PLM2040G \$ 729.
	Bevel Edge – Reversible Hinge	PLM2040GB \$ 729.
	Polished Edge – Left – Electric Upgrade	PLM2040GLE \$ 1,029.
	Bevel Edge – Left – Electric Upgrade	PLM2040GBLE \$ 1,029.
	Polished Edge – Right – Electric Upgrade	PLM2040GRE \$ 1,029.
Bevel Edge – Right – Electric Upgrade	PLM2040GBRE \$ 1,029.	

Add-On Accessories & Options

Description	Model	Price	Light Options include:
	Surface-Mount Kit for Cabinets Quantity 1 = Pair of Side Kits and Mounting Hardware		Modular Lights Sconces Refer to pages 160 – 175 for more information.
	30" H Polished Edge Mirror	PLSMK30D4P	\$ 149.
40" H Polished Edge Mirror	PLSMK40D4P	\$ 249.	Other Options: Magnification Mirrors: POMM, SOMM, Freestanding and Wall-Mount See pages 294 – 295.
NEW! 	IQ Digital Lock Box For use with 20" W cabinets	DLB-20	\$ 399.
	PL Ganging Kit Hardware required for installing 2 or 3 cabinets side-by-side	PLGKIT	\$ 49.
See Bottom Kits on page 299.			Glass Bins See page 296.

Note: Models in **bold** indicate Quick Ship product.

SEE PAGE 142 FOR TIPS & FEATURES.

PL Series Cabinets – PLM24 – 23-1/4" Wide Door



Affordable yet luxurious, PL Series cabinets offer reliable performance and enduring visual appeal. With their modular versatility, these cabinets can be ganged or stacked to meet the needs of your space.

- Constructed to operate in high humidity or damp spaces



Two Week Lead Time



Modular

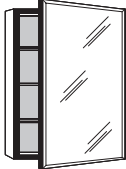
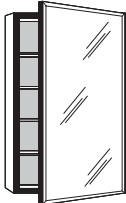


Electrical Outlet


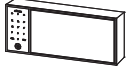
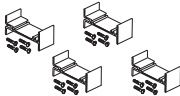


Magnification Mirror

23-1/4" W PLM24 Cabinets

Description	Model	Price
Flat Door – 23-1/4" W x 30" H (RO: 22-1/2" W x 29-1/4" H x 4" D)		
	Polished Edge – Reversible Hinge	PLM2430G \$ 679.
	Polished Edge – Reversible Hinge – IQ™ Digital Lock Box NEW!	QPLM2430G \$ 1,078.
	Bevel Edge – Reversible Hinge	PLM2430GB \$ 679.
	Polished Edge – Left – Electric Upgrade	PLM2430GLE \$ 979.
	Bevel Edge – Left – Electric Upgrade	PLM2430GBLE \$ 979.
	Polished Edge – Right – Electric Upgrade	PLM2430GRE \$ 979.
	Bevel Edge – Right – Electric Upgrade	PLM2430GBRE \$ 979.
Flat Door – 23-1/4" W x 39-3/8" H (RO: 22-1/2" W x 38-5/8" H x 4" D)		
	Polished Edge – Reversible Hinge	PLM2440G \$ 779.
	Polished Edge – Reversible Hinge – IQ Digital Lock Box NEW!	QPLM2440G \$ 1,178.
	Bevel Edge – Reversible Hinge	PLM2440GB \$ 779.
	Polished Edge – Left – Electric Upgrade	PLM2440GLE \$ 1,079.
	Bevel Edge – Left – Electric Upgrade	PLM2440GBLE \$ 1,079.
	Polished Edge – Right – Electric Upgrade	PLM2440GRE \$ 1,079.
Bevel Edge – Right – Electric Upgrade	PLM2440GBRE \$ 1,079.	

Add-On Accessories & Options

Description	Model	Price
	Surface-Mount Kit for Cabinets Quantity 1 = Pair of Side Kits and Mounting Hardware	
	30" H Polished Edge Mirror	PLSMK30D4P \$ 149.
	40" H Polished Edge Mirror	PLSMK40D4P \$ 249.
NEW! 	IQ Digital Lock Box For use with 24" W cabinets	DLB-24 \$ 399.
	PL Ganging Kit Hardware required for installing 2 or 3 cabinets side-by-side	PLGKIT \$ 49.
See Bottom Kits on page 299.		

Light Options include:

Modular Lights
Sconces
Refer to pages 160 – 175 for more information.

Other Options:

Magnification Mirrors: POMM, SOMM, Freestanding and Wall-Mount
See pages 294 – 295.

Glass Bins
See page 296.

 **Note:** Models in **bold** indicate Quick Ship product.

SEE PAGE 142 FOR TIPS & FEATURES.

PL Series Cabinets – PLM30 & PLM36 – 3 Door



Affordable yet luxurious, PL Series cabinets offer reliable performance and enduring visual appeal. With their modular versatility, these cabinets can be ganged or stacked to meet the needs of your space.

- Three door style
- Constructed to operate in high humidity or damp spaces



Two Week Lead Time



Modular

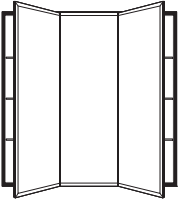
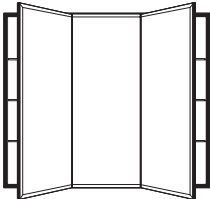


Electrical Outlet

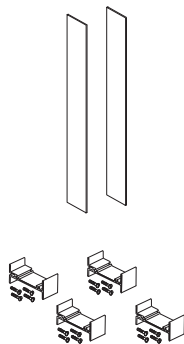


Magnification Mirror

3 Door PLM30 & PLM36 Cabinets

	Description	Model	Price
PLM30 – 30" W x 30" H (RO: 29-1/4" W x 29-1/4" H x 4" D)			
	Bevel Edge – 3 Door	PLM3030G	\$ 1,299.
	Bevel Edge – 3 Door – Electric Upgrade	PLM3030GE	\$ 1,599.
PLM36 – 36" W x 30" H (RO: 35-1/4" W x 29-1/4" H x 4" D)			
	Bevel Edge – 3 Door	PLM3630G	\$ 1,479.
	Bevel Edge – 3 Door – Electric Upgrade	PLM3630GE	\$ 1,749.

Add-On Accessories & Options



Description	Model	Price
Surface-Mount Kit for Cabinets Quantity 1 = Pair of Side Kits and Mounting Hardware		
30" H Polished Edge Mirror	PLSMK30D4P	\$ 149.
PL Ganging Kit Hardware required for installing 2 or 3 cabinets side-by-side	PLGKIT	\$ 49.

Light Options include:

Modular Lights
Sconces
Refer to pages 160 – 175 for more information.

Other Options:

Magnification Mirrors: POMM, SOMM, Freestanding and Wall-Mount
See pages 294 – 295.

Glass Bins
See page 296.

SEE PAGE 142 FOR TIPS & FEATURES.

R³® Series Cabinets – Table of Contents, Tips & Features

Table of Contents

R³ Series Cabinet Worksheet	149
R³ Series Cabinets	150 – 152
16" Wide, Flat Door Cabinets	150
20" Wide, Flat Door Cabinets	151
24" Wide, Flat Door Cabinets	152
Cabinet Accessories	293 – 299

Tips & Features

Dimensions & Weight

- Dimensions (W x H):
 - 16" x 20" (406 mm x 508 mm)
 - 16" x 26" (406 mm x 660 mm)
 - 16" x 36" (406 mm x 914 mm)
 - 20" x 26" (508 mm x 660 mm)
 - 20" x 36" (508 mm x 914 mm)
 - 24" x 26" (610 mm x 660 mm)
 - 24" x 36" (610 mm x 914 mm)
- Depth: 4-3/4" (121 mm)
- Net Weight: 15 – 40 lbs

Configurable Options

- Edge Type: Polished or Bevel Edge

Features & Benefits

- 1/2" bevel or polished edge mirror door
- Ideal for remodeling: features 1" (25 mm) flange to hide gaps, paint lines or any wall imperfections
- Slow-close functionality
- Cantilever Shelving: clean interior due to "hidden" shelf adjustments and off-set door hinge
- Thin door and off-set hinge allow for more storage than any cabinet of similar size
- Designed to seamlessly fit in your cabinet, the optional IQ™ Digital Lock Box features improved technology to keep your most important items secure. With key code entry, remote access, and tamper notifications via smartphone, you will have total control over your personal items **NEW!**

Construction

- Durable rust-free anodized aluminum and glass construction – resists intense moisture, ensuring long-lasting beauty
- Satin anodized aluminum body
- 3 mirror design – rear of cabinet and both sides of door
- 108-degree in-set adjustable hinge system
- Two adjustable cantilever glass shelves
- 1/4" (6 mm) thick adjustable clear glass shelves
- Low-profile laminated door design

Installation

- Recessed or surface-mount installation
- Cabinets include hardware for recessed installation. Surface-mount installations require the purchase of a surface-mount kit which includes the side kit as well as mounting hardware.
- Non-handed single door cabinets can be installed with left or right opening. Left or Right = hinge side when facing cabinet.
- Recessed cabinets project 1" from wall

Accessories

- IQ Digital Lock Box (DLB-R20, DLB-R24), **NEW!** not for use with 16" W cabinets
- Surface-Mount Kit (RSMK__D4P)
- Glass Bins (GLASSBIN3.25, GLASSBIN5.25, GLASSBIN8.5)



R³® Series Cabinet Worksheet

FEATURES

Select Dimension (W x H):

16" x 20"

16" x 26"

16" x 36"

20" x 26"

20" x 36"

24" x 26"

24" x 36"

Select Depth:

4"

Select Mirror Style:

Polished Edge

Bevel Edge

Select Cabinet Style:

Single Door

MODEL

RC

D4

1

1620

1626

1636

2026

2036

2426

2436

D4

FP

FB

1

CUSTOMER INFORMATION

Name

Address

City/State/Zip

Telephone

Date Ordered

Light Selection

Notes

R³ Series Cabinets – RC16 – 16" Wide, Flat Door


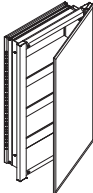
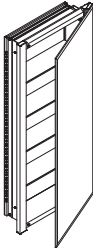


Revitalize your bathroom with R³ Series medicine cabinets. Designed to quickly and seamlessly replace old medicine cabinets, R³ Series cabinets are an easy upgrade that will elevate your grooming experience and provide convenient bathroom storage.

- Ideal for remodeling: features 1" (25 mm) flange to hide gaps, paint lines or any wall imperfections
- Slow-close functionality
- Clean interior due to "hidden" shelf adjustments and off-set door hinge



RC16 – 16" W Cabinets

	Description	Model	Price
	Polished Edge Mirrored – Single Door	RC1620D4FP1	\$ 279.
	Bevel Edge Mirrored – Single Door	RC1620D4FB1	\$ 279.
	Polished Edge Mirrored – Single Door	RC1626D4FP1	\$ 449.
	Bevel Edge Mirrored – Single Door	RC1626D4FB1	\$ 449.
	Polished Edge Mirrored – Single Door	RC1636D4FP1	\$ 579.
	Bevel Edge Mirrored – Single Door	RC1636D4FB1	\$ 579.

Add-On Accessories & Options

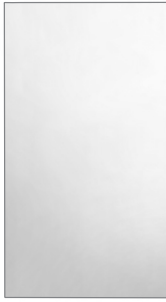


Description	Model	Price
Surface-Mount Kit for Cabinets		
Quantity 1 = Pair of Mirrored Side Kits and Mounting Hardware		
20" Polished Edge Mirrored	RSMK20D4P	\$ 149.
26" Polished Edge Mirrored	RSMK26D4P	\$ 149.
36" Polished Edge Mirrored	RSMK36D4P	\$ 149.

 **Note:** Models in **bold** indicate Quick Ship product.

SEE PAGE 148 FOR TIPS & FEATURES.

R³ Series Cabinets – RC20 – 20" Wide, Flat Door



Revitalize your bathroom with R³ Series medicine cabinets. Designed to quickly and seamlessly replace old medicine cabinets, R³ Series cabinets are an easy upgrade that will elevate your grooming experience and provide convenient bathroom storage.

- Ideal for remodeling: features 1" (25 mm) flange to hide gaps, paint lines or any wall imperfections
- Slow-close functionality
- Clean interior due to "hidden" shelf adjustments and off-set door hinge



Two Week Lead Time

RC20 – 20" W Cabinets

	Description	Model	Price
	RC2026 – 20" W x 26" H (RO: 18" W x 24" H x 4" D) Polished Edge Mirrored – Single Door	RC2026D4FP1	\$ 529.
	Polished Edge Mirrored – Single Door IQ™ Digital Lock Box NEW!	QRC2026D4FP1	\$ 928.
	Bevel Edge Mirrored – Single Door	RC2026D4FB1	\$ 529.
	RC2036 – 20" W x 36" H (RO: 18" W x 34" H x 4" D) Polished Edge Mirrored – Single Door	RC2036D4FP1	\$ 699.
	Polished Edge Mirrored – Single Door IQ Digital Lock Box NEW!	QRC2036D4FP1	\$ 1,098.
	Bevel Edge Mirrored – Single Door	RC2036D4FB1	\$ 699.

Add-On Accessories & Options

	Description	Model	Price
	Surface-Mount Kit for Cabinets Quantity 1 = Pair of Mirrored Side Kits and Mounting Hardware		
	26" Polished Edge Mirrored	RSMK26D4P	\$ 149.
	36" Polished Edge Mirrored	RSMK36D4P	\$ 149.
	IQ Digital Lock Box For use with 20" W cabinets	DLB-R20	\$ 399.

Note: Models in **bold** indicate Quick Ship product.

SEE PAGE 148 FOR TIPS & FEATURES.

R³ Series Cabinets – RC24 – 24" Wide, Flat Door



Revitalize your bathroom with R³ Series medicine cabinets. Designed to quickly and seamlessly replace old medicine cabinets, R³ Series cabinets are an easy upgrade that will elevate your grooming experience and provide convenient bathroom storage.

- Ideal for remodeling: features 1" (25 mm) flange to hide gaps, paint lines or any wall imperfections
- Slow-close functionality
- Clean interior due to "hidden" shelf adjustments and off-set door hinge



RC24 – 24" W Cabinets

	Description	Model	Price
	RC2426 – 24" W x 26" H (RO: 22" W x 24" H x 4" D) Polished Edge Mirrored – Single Door	RC2426D4FP1	\$ 579.
	Bevel Edge Mirrored – Single Door	RC2426D4FB1	\$ 579.
	RC2436 – 24" W x 36" H (RO: 22" W x 34" H x 4" D) Polished Edge Mirrored – Single Door	RC2436D4FP1	\$ 799.
	Polished Edge Mirrored – Single Door IQ™ Digital Lock Box NEW!	QRC2436D4FP1	\$ 1,198.
	Bevel Edge Mirrored – Single Door	RC2436D4FB1	\$ 799.

Add-On Accessories & Options

	Description	Model	Price
	Surface-Mount Kit for Cabinets Quantity 1 = Pair of Mirrored Side Kits and Mounting Hardware		
	26" Polished Edge Mirrored	RSMK26D4P	\$ 149.
	36" Polished Edge Mirrored	RSMK36D4P	\$ 149.
	IQ Digital Lock Box For use with 24" W cabinets	DLB-R24	\$ 399.

Note: Models in **bold** indicate Quick Ship product.

SEE PAGE 148 FOR TIPS & FEATURES.



LIGHTING

Vesper™ 160
Profiles® 164
InLine 169

1.5 Series 172
Uplift® 174



160 Vesper™



164 Profiles®

PRICING CONTINUUM

Robern offers a range of lighting options in varying price points to meet your needs. Prices noted below are opening price points.



NEW SIZES!

Vesper
\$399



Uplift® Pendant
\$749



Uplift Sconce
\$749



InLine
\$849

1.5 Series
\$899

Profiles®
\$1,079

PRODUCT COMPARISON GUIDE / LIGHTING

	VESPER™	PROFILES®	INLINE	1.5 SERIES	UPLIFT®
AVAILABLE FEATURES					
Dimmable via Third Party Control	●	●	●	●	
Modular	●	●	●	●	
Night Light	●	●	●	●	●
Installation Method	Install with Cabinet	Install Individually	Install Individually	Install Individually	Install Individually
CONFIGURABLE ATTRIBUTES					
2700 Kelvin Temperature		●	●		
3000 Kelvin Temperature	●			●	
4000 Kelvin Temperature		●	●		
Tunable LED (2700K-5600K and 3000K-4000K options)		●	●		
Recessed	●	●	●	●	
Surface-Mount	●	●	●	●	●
Sold As	Pair/Each*	Each	Each	Each	Each
Bulbs Included	●	●	●	●	
METAL FINISHES					
Chrome		●		●	●
Polished Nickel		●			●
Matte Gold		●			
Matte Black		●			
Brushed Nickel				●	●
White				●	
Black				●	
Anodized Aluminum					●

*Pair for Edgeline, each for Midline and Outline

	VESPER™	PROFILES®	INLINE	1.5 SERIES	UPLIFT®
STYLES					
LED	•	•	•		
Fluorescent				•	•
Vertical	•	•	•	•	
Sconce					•
Pendant					•
CERTIFICATIONS & CODE COMPLIANCE					
Title 24				•	•
UL/ETL	•	•	•	•	•
ADD-ON ACCESSORIES					
Ganging Kit	•	•	•	•	
Side Kits	•	•	•		
Master-to-Remote Cable				•	

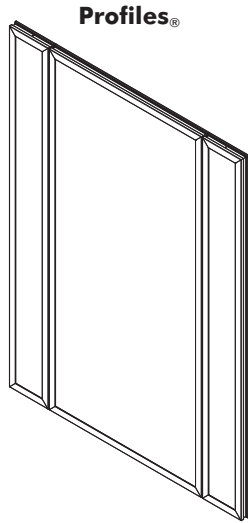
WHAT'S NEW / VESPER™ VERTICAL LIGHTING



DESIGN WITH LIGHT

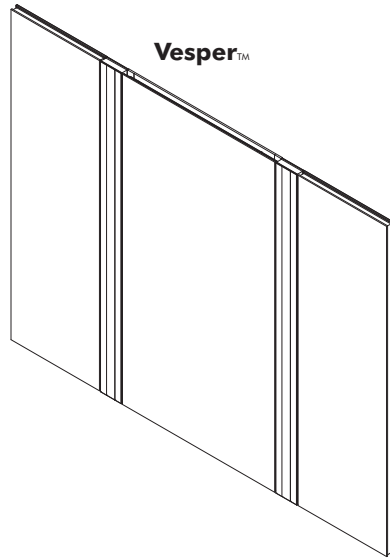
Add a soft, subtle light to your styling space with Vesper lighting in 3000K color temperature and stunningly accurate color rendering. With a slim minimal aesthetic and gangable design, this modular collection lets you easily integrate gentle elegant light with your cabinet.

Modular Lighting – Ganging Reference



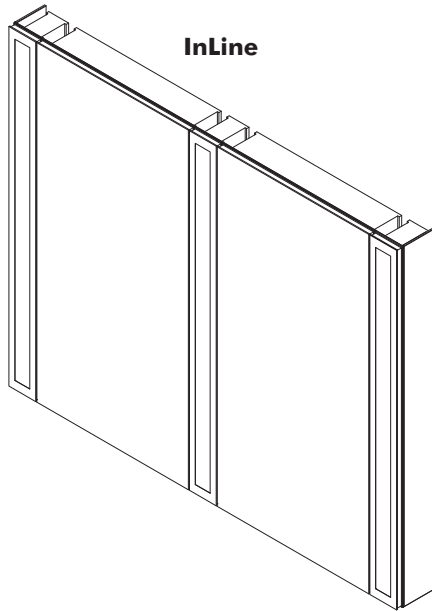
Profiles®

30" W x 40" H Recessed Installation
 Light | Cabinet | Light
 (2) PL5.040TLSC __ DV
 (1) PC2040D4TLE __



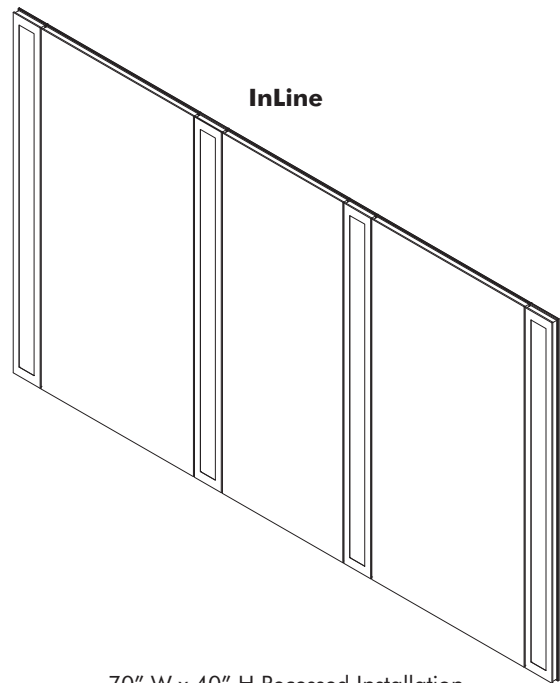
Vesper™

49-1/2" W x 36" H Recessed Installation
 Mirror | Light | Cabinet | Light | Mirror
 (2) GLB36MLSS3D – Vesper Midline Lighting
 (2) MODM1236FP
 (1) P2C2036D4FPFS



InLine

50-1/2" W x 40" H Surface-Mount Installation
 Light | Cabinet | Light | Cabinet | Light
 (3) ML3.540ILSFMRDV
 (1) PLM2040GLE
 (1) PLM2040GRE
 (1) MGKIT
 (1) PLSMK40D4P



InLine

70" W x 40" H Recessed Installation
 Light | Cabinet | Light | Cabinet | Light | Cabinet | Light
 (4) ML3.540ILSFMRDV
 (1) MC2040D4FPRE4
 (1) MC1640D4FPRE4
 (1) MC2040D4FPLE4
 (1) MGKIT

For more guidance on our modular solutions, visit robern.com/modularity.

Vesper™ Modular Lighting – Table of Contents, Tips & Features

Table of Contents

Vesper Modular Lighting Mirror Worksheet 161
Vesper Modular Lighting 162 – 163
Modular Lighting Ganging Reference 159

Tips & Features

Dimensions & Weight

- Dimensions (W x H):
 - 1-3/8" x 30" (35 mm x 762 mm)
 - 1-3/8" x 36" (35 mm x 914 mm) **NEW!**
 - 1-3/8" x 39-3/8" (35 mm x 1000 mm)
 - 2-3/4" x 30" (70 mm x 762 mm)
 - 2-3/4" x 36" (70 mm x 914 mm) **NEW!**
 - 2-3/4" x 39-3/8" (70 mm x 1000 mm)
- Depth: 4-5/8" (117 mm) surface-mount, 15/16" (24 mm) when recessed
- Net Weight: 6 – 9 lbs

Configurable Options

- Lighting Styles: Edgeline, Midline, Outline

Features & Benefits

- Seamless and flush aesthetic creates a visually clean cabinet and light installation when ganged with M Series, PL PORTRAY™ and PL Series medicine cabinets
- Light provides ambient lighting for a room with a soft glow that envelops a space and onto the wall with enough light to function and provides a consistent level of lighting
- Soft, relaxing tones (3000K) that replicate indoor lighting
- Remarkably accurate color rendering with a CRI value of 90+ and R9 of 50+. An R9 value of 50+ in conjunction with a CRI of 90+ is needed to accurately render colors, bring out skin tones and accurately match makeup to skin tone
- Thinner profile with Edgeline is ideal for urban spaces with a style that is reversible (rotate light pattern inside or outside) for ease of installation
- Ease of installation: build the lighting and cabinet configuration prior to placing in the wall using keyhole installation brackets and quick plug-in wire connectors, making installation a cinch
- Dimmable LED to add ambiance and can be used as a night light to allow for wayfinding at night for safe trips to the bathroom, using most standard residential dimmer that works with your home's existing wiring
- Energy efficient LEDs with an estimated life of 53,000 hours
- Will operate in high humidity or damp spaces. ETL certified to UL 1598 CSA Standard C22.2 No. 250.0

Construction

- Durable rust-free anodized aluminum and glass construction – resists intense moisture, ensuring long-lasting beauty
- Anodized aluminum back frame
- Quality polished edge mirror
- Diffuser built into the product eliminating the need for plastic diffusers to be purchased separately, reducing eye strain with no dark/hot spots.
- Fully encased lighting construction eliminating exposed LEDs and electrical components

Installation

- This installation may require more than one person
- Midline and Outline sold as a single unit (not as pairs); Edgeline sold as pairs
- Fixture adds 1-3/4" (2-3/4" pair) per light for Edgeline or 2-3/4" (5-1/2" pair) per light for Midline and Outline to the overall rough-in width
- Can be surface-mounted with 4" depth (D4), 6" depth (D6) and 8" depth (D8) cabinets (D4, D6 and D8 surface-mount kit required). Can be semi-recessed with 6" (D6) and 8" depth (D8) cabinets (D6 and D8 semi-recessed kit required) and fully recessed with 4" depth (D4), 6" depth (D6) and 8" depth (D8) cabinets
- Operates on 120 volts AC and 1.6A (3000K) per fixture
- Wired internally – front access serviceability
- If mounting or installing between cabinets, an MGKIT (ganging kit) is required. One MGKIT, will accommodate ganging of two cabinet sides (MGKIT includes two sets). Note: the Vesper Lighting comes with ganging hardware to mount to one side of a cabinet
- Recommended dimmer for fixture: Lutron® C•L Dimmers or Caseta Wireless. This dimmer has a full range control, low light adjustment, stops flickering and last setting memory
- The Master-to-Remote Cable is included with the Edgeline fixture (sold in pairs) to allow for the pairing of the style Edgeline to a medicine cabinet (4-1/4-foot limit for distance)

Accessories

- Ganging Kit (MGKIT)
- Surface-Mount Kits (MSMK__D_P, P2SMKIT__D4P)
- Semi-Recess Mount Kit (MSMK__D8SRP)



Vesper™ Modular Lighting Worksheet

FEATURES

Select Dimension (W x H):*

1-3/8" x 30"

1-3/8" x 36"

1-3/8" x 40"

2-3/4" x 30"

2-3/4" x 36"

2-3/4" x 40"

Select Lighting Style:

Edgeline

Midline

Outline

Select Light Type:

LED

Select Quantity of Lights:*

Single

Pair

Select Color:

Silver

Select Lighting Option:

Soft White (2700K)

Select Dimmable Option:

Dimmable

MODEL	GL	L	S	3	D
A30					
A36					
A40					
B30					
B36					
B40					
E					
M					
U					
L					
S					
P					
S					
3					
D					

Lighting

Note:

* Edgeline is available in A and P only;
Midline and Outline are available in B and S only.

CUSTOMER INFORMATION

Name

Address

City/State/Zip

Telephone

Date Ordered

Light Selection

Notes

Vesper™ Modular Lighting

Vesper lighting is designed to provide modern, versatile and unique design options in a modular form that pairs with medicine cabinets and is easy to install.

- Three design solutions to integrate with any styling space
- Ambient lighting for a room with a soft white (3000K) temperature
- The thin profiles are ideal for urban, compact spaces



Two Week Lead Time







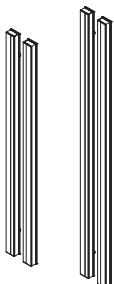

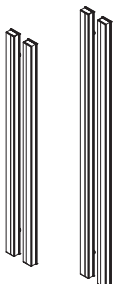


Dimmable LED



Modular

Vesper Lighting

Description	For Use With M Series, PL PORTRAY™ & PL Series	Model	Price
Outline Lights (Quantity 1 = Single)			
 2-3/4" W x 30" H, 3000K, Dimmable	30" H Cabinets	GLB30ULSS3D	\$ 399.
 2-3/4" W x 36" H, 3000K, Dimmable	36" H Cabinets	GLB36ULSS3D NEW!	\$ 449.
 2-3/4" W x 39-3/8" H, 3000K, Dimmable	40" H Cabinets	GLB40ULSS3D	\$ 499.
Midline Lights (Quantity 1 = Single)			
 2-3/4" W x 30" H, 3000K, Dimmable	30" H Cabinets	GLB30MLSS3D	\$ 349.
 2-3/4" W x 36" H, 3000K, Dimmable	36" H Cabinets	GLB36MLSS3D NEW!	\$ 399.
 2-3/4" W x 39-3/8" H, 3000K, Dimmable	40" H Cabinets	GLB40MLSS3D	\$ 449.
Edgeline Lights (Quantity 2 = Pair)			
 1-3/8" W x 30" H, 3000K, Dimmable	30" H Cabinets	GLA30ELPS3D	\$ 599.
 1-3/8" W x 36" H, 3000K, Dimmable	36" H Cabinets	GLA36ELPS3D NEW!	\$ 699.
 1-3/8" W x 39-3/8" H, 3000K, Dimmable	40" H Cabinets	GLA40ELPS3D	\$ 799.
Ganging kit required if Vesper lights are used with multiple cabinets:		MGKIT	\$ 49.

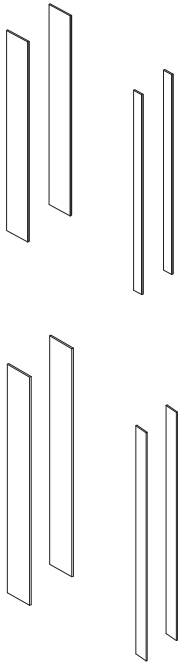
Operates on 120 VAC and 1.6A (3000K) per fixture. LEDs are CRI 90 and dimmable.

 **Note:** Models in **bold** indicate Quick Ship product.

See Surface-Mount Kits on the following page.

Vesper™ Modular Lighting

Surface-Mount Kits (sold separately)



Description	Model	Price
Surface-Mount Kits – Quantity 1 = Pair of Side Kits and Mounting Hardware Required for surface-mount installation		
30" H, D4 – Surface-Mount, Polished Edge	MSMK30D4P	\$ 149.
30" H, D4 – Surface-Mount, Polished Edge	P2SMKIT30D4P	\$ 149.
30" H, D6 – Surface-Mount, Polished Edge	MSMK30D6P	\$ 199.
30" H, D8 – Semi-Recessed, Polished Edge	MSMK30D8SRP	\$ 149.
36" H, D4 – Surface-Mount, Polished Edge	P2SMKIT36D4P	\$ 249.
40" H, D4 – Surface-Mount, Polished Edge	MSMK40D4P	\$ 249.
40" H, D4 – Surface-Mount, Polished Edge	P2SMKIT40D4P	\$ 249.
40" H, D6 – Surface-Mount, Polished Edge	MSMK40D6P	\$ 349.
40" H, D8 – Semi-Recessed, Polished Edge	MSMK40D8SRP	\$ 249.

Lighting

 **Note:** Models in **bold** indicate Quick Ship product.

SEE PAGE 160 FOR TIPS & FEATURES.

Profiles® Modular Lighting – Table of Contents, Tips & Features

Table of Contents

Profiles Modular Lighting Tips & Features	164 – 165
Profiles Modular Lighting Worksheet	166
Profiles Modular Lighting	167 – 168
Profiles Framed Cabinets	75 – 95
Profiles Framed Mirrors	194 – 196
Modular Lighting Ganging Reference	159

Tips & Features

Dimensions & Weight

- Dimensions (W x H):
3-1/2" x 30" (89 mm x 762 mm)
3-1/2" x 39-3/8" (89 mm x 1000 mm)
5" x 30" (127 mm x 762 mm)
5" x 39-3/8" (127 mm x 1000 mm)
- Depth: 4-5/8" (117 mm) surface-mount,
7/8" (22 mm) when recessed
- Net Weight: 10 – 15 lbs

Configurable Options

- Metal Finish Options:
Chrome, Polished Nickel, Matte Gold, Matte Black
- Lighting Options:
Soft White(2700K),
Bright White (4000K),
Tunable White (2700K – 5600K)

Features & Benefits

- Create a coordinated ensemble by pairing with Profiles Medicine Cabinets, Profiles Mirrors and Profiles Vanities
- Match all fixtures in your styling space with Profiles metal frame finishes for a coordinated look: Chrome, Polished Nickel, Matte Gold, Matte Black
- Profiles modular lighting can be ganged with Profiles Medicine Cabinets and Profiles Mirrors
- Choose between soft, relaxing tones (2700K) that replicate indoor lighting and bright, invigorating tones (4000K), which simulate bright daylight or choose variable lighting that lets you fine-tune your color temperature between soft white (2700K) and cool white (5600K) with the use of dimmers

Features & Benefits (Continued)

- Remarkably accurate color rendering with a CRI value of 90+ and R9 of 50+, so you can see your truest reflection
- Light direction and output eliminates dark shadows, provides bright even task lighting and rich, saturated tone in your reflection
- Dimmable LED task lighting to 1% lets you select the ideal brightness for any task, using a standard residential dimmer that works with your home's existing wiring
- Energy efficient LEDs with an estimated life of 53,000 hours
- Constructed to operate in high humidity or damp spaces. ETL/UL Certified for damp locations to UL 1598 CSA Standard C22.2 No. 250.0

Construction

- Durable rust-free anodized aluminum and glass construction – resists intense moisture, ensuring long-lasting beauty
- Satin anodized aluminum body

Installation

- This installation may require more than one person
- Sold as a single unit (not as pairs)
- Fixture adds 3-1/2" or 5" per light to the overall rough-in width
- Can be recessed or surface-mounted with 4" depth (D4) cabinets (D4 surface-mount kit required) and fully recessed with 6" depth (D6) cabinets
- Ganging kit required if used to mount with multiple cabinets – light comes with ganging hardware on one side



Profiles® Modular Lighting – Tips & Features

Tips & Features (Continued)

Installation (Continued)

- Wired internally – front access serviceability
- Operates on 120VAC and 0.5A (2700K/4000K) or 1.0A (variable) per fixture
- Glass lens plane sits flush when paired with a Profiles Medicine Cabinet and Mirror (the mirror when used with ganging kit)
- Optional MGKIT includes hardware to gang to both sides of a cabinet. As a result, three lights and two cabinets can be ganged together from one MGKIT.
- Recommended dimmer for Profile fixture: Lutron® Diva ELV Dimmer (Model DVELV300P) or Caseta Wireless ELV Dimmer (Model PD5NE). These dimmers have full range control, low light adjustment, stop flickering and last setting memory.

Accessories

- Surface-Mount Kit (MSMK__D_P)
- Ganging Kit (MGKIT) – for ganging with cabinets
- Ganging Kit (PMGKIT____) – for ganging with Profiles Mirrors

Lighting Specs: Profiles

Kelvin	2700K 4000K 2700K – 5600K
CRI	90+
Lumens ¹	746 – 2610
Lumens per Watt	39 – 56
R9 Value ¹	58 – 80+

¹ Based on a measurement of a subset of sizes and lighting styles



Profiles® Modular Lighting Worksheet

FEATURES

Select Dimension (W x H):

3-1/2" x 30"

3-1/2" x 40"

5" x 30"

5" x 40"

Select Frame Width:

3/4" Width

Select Light Type:

LED

Select Color:

Silver

Select Lens Type:

Clear

Select Metal Finish Option:

Chrome

Polished Nickel

Matte Gold

Matte Black

Select Dimmable:

Dimmable

Select Lighting Option:

Soft White (2700K)

Bright White (4000K)

Tunable White (2700K – 5600K)

MODEL	PL	T	L	S	C	D
3.530						
3.540						
5.030						
5.040						
T						
L						
S						
C						
76						
77						
82						
83						
D						
3						
4						
V						

CUSTOMER INFORMATION

Name

Address

City/State/Zip

Telephone

Date Ordered

Light Selection

Notes

Profiles® Modular Lighting

Wherever you start your day, high-quality task lighting can make all the difference. Profiles Lighting offers remarkably accurate color rendering; adjustable color temperature and bright, consistent output that eliminates harsh shadows on the face – so you see your truest reflection, every time.

- Modular lighting can be ganged with Profiles medicine cabinets and Profiles mirrors
- Choose between soft, relaxing tones (2700K) that replicate indoor lighting and bright, invigorating tones (4000K), which simulate bright daylight or choose variable lighting that lets you fine-tune your color temperature between soft white (2700K) and cool white (5600K) with the use of dimmers



Two Week Lead Time

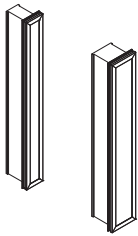
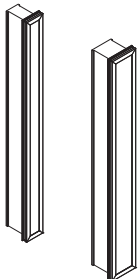


Dimmable LED



Tunable

Modular

Profiles Lighting (Quantity 1 = Single)		FRAME FINISHES		
		76, 77 Price	82, 83 Price	
Description	Model			
Profiles 30" H Lights (RO: 2-3/4" W x 29-1/4" H)				
	3-1/2" W – 2700K, Dimmable	PL3.530TLSC __ D3	\$ 1,079.	\$ 1,199.
	3-1/2" W – 4000K, Dimmable	PL3.530TLSC __ D4	\$ 1,079.	\$ 1,199.
	3-1/2" W – Variable, Dimmable	PL3.530TLSC __ DV	\$ 1,249.	\$ 1,349.
	5" W – 2700K, Dimmable	PL5.030TLSC __ D3	\$ 1,429.	\$ 1,549.
	5" W – 4000K, Dimmable	PL5.030TLSC __ D4	\$ 1,429.	\$ 1,549.
	5" W – Variable, Dimmable	PL5.030TLSC __ DV	\$ 1,599.	\$ 1,699.
Profiles 40" H Lights (RO: 2-3/4" W x 38-5/8" H)				
	3-1/2" W – 2700K, Dimmable	PL3.540TLSC __ D3	\$ 1,299.	\$ 1,429.
	3-1/2" W – 4000K, Dimmable	PL3.540TLSC __ D4	\$ 1,299.	\$ 1,429.
	3-1/2" W – Variable, Dimmable	PL3.540TLSC __ DV	\$ 1,499.	\$ 1,599.
	5" W – 2700K, Dimmable	PL5.040TLSC __ D3	\$ 1,649.	\$ 1,749.
	5" W – 4000K, Dimmable	PL5.040TLSC __ D4	\$ 1,649.	\$ 1,749.
	5" W – Variable, Dimmable	PL5.040TLSC __ DV	\$ 1,829.	\$ 1,929.
Ganging kit required if Profile lights are used with multiple cabinets:	MGKIT		\$ 49.	

PMGKIT__ ganging kit required if Profile lights are used with Profiles mirrors – refer to the following page.

Operates on 120 volts AC and 0.5A (2700K/4000K) or 1.0A (variable) per fixture. LEDs are CRI 90+ and dimmable.

Frame Finish Options

Fill in __ designator to Model listed above with desired finish. Example: **PL5.040TLSC76DV**.

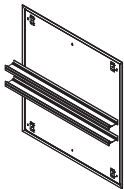
- 76 Chrome
- 77 Polished Nickel
- 82 Matte Gold
- 83 Matte Black

See Accessories & Options on the following page.

Profiles® Modular Lighting

Add-On Accessories & Options

Lighting



Description

Model

Price

Surface-Mount Kits – Quantity 1 = Pair of Side Kits and Mounting Hardware Required for surface-mount installation

30" H, D4 – Surface-Mount, Polished Edge MSMK30D4P \$ 149.

30" H, D6 – Surface-Mount, Polished Edge MSMK30D6P \$ 199.

40" H, D4 – Surface-Mount, Polished Edge MSMK40D4P \$ 249.

40" H, D6 – Surface-Mount, Polished Edge MSMK40D6P \$ 349.

Profiles Mirror/Lighting Ganging Kit

Hardware required for ganging Profiles Mirrors with Profiles Lighting and Cabinets

24x30 PMGKIT2430 \$ 399.

30x30 PMGKIT3030 \$ 449.

36x30 PMGKIT3630 \$ 499.

24x40 PMGKIT2440 \$ 399.

30x40 PMGKIT3040 \$ 449.

36x40 PMGKIT3640 \$ 499.

SEE PAGE 164 FOR TIPS & FEATURES.

InLine Modular Lighting – Table of Contents, Tips & Features

Table of Contents

InLine Modular Lighting Worksheet	170
InLine Modular Lighting	171
Modular Lighting Ganging Reference	159

Tips & Features

Dimensions & Weight

- Dimensions (W x H):
3-1/2" x 30" (89 mm x 762 mm)
3-1/2" x 39-3/8" (89 mm x 1000 mm)
- Depth: 4-5/8" (117 mm) surface-mount,
7/8" (22 mm) when recessed
- Net Weight: 10 – 15 lbs

Configurable Options

- Lighting Options: Soft White (2700K),
Bright White (4000K), Tunable White (2700K – 5600K)

Features & Benefits

- Seamless and flush aesthetic that can be ganged with medicine cabinets
- Choose between soft, relaxing tones (3000K) that replicate indoor lighting and bright, invigorating tones (4000K), which simulate bright daylight or choose variable lighting that lets you fine-tune your color temperature between soft white (3000K) and cool white (4000K) tones with the use of dimmers
- Light direction and output eliminate dark shadows, provides bright even task lighting and rich, saturated tone in your reflection
- Remarkably accurate color rendering with a CRI value of 90+ and R9 of 50+, so you can see your truest reflection
- Dimmable LED task lighting to 1% lets you select the ideal brightness for any task, using a standard residential dimmer that works with your home's existing wiring
- InLine modular lighting can be ganged with M Series cabinets, PL PORTRAY™ cabinets, PL Series cabinets and Modular mirrors
- Energy efficient LEDs with an estimated life of 53,000 hours
- Constructed to operate in high humidity or damp spaces. ETL/UL Certified for damp locations to UL 1598 CSA Standard C22.2 No. 250.0

Construction

- Durable rust-free anodized aluminum and glass construction – resists intense moisture, ensuring long-lasting beauty
- Satin anodized aluminum body

Installation

- This installation may require more than one person
- Sold as a single unit (not as pairs)
- Fixture adds 3-1/2" per light to the overall rough-in width
- Can be recessed or surface-mounted with 4" depth (D4) cabinets (D4 surface-mount kit required) and fully recessed with 6" depth (D6) and 8" depth (D8) cabinets
- Ganging kit required if used to mount with multiple cabinets – light comes with ganging hardware on one side
- Operates on 120 volts AC and 0.5A (3000K/4000K) or 1.0A (variable) per fixture
- Glass lens plane sits flush when paired with an M Series cabinet, PL PORTRAY cabinet, PL Series cabinet or Modular mirror
- Wired internally – front access serviceability
- MGKIT includes hardware to gang to both sides of a cabinet. As a result, three lights and two cabinets can be ganged together from one MGKIT.
- Recommended dimmer for InLine fixture: Lutron® C•L Dimmers. This dimmer has full range control, low light adjustment, stops flickering and last setting memory.

Accessories

- Ganging Kit (MGKIT)
- Surface-Mount Kit (MSMK__D_P)
- Semi-Recess Mount Kit (MSMK__D8SRP)

Lighting Specs: InLine

Kelvin	3000K 4000K 3000K – 4000K
CRI	90+
Lumens ¹	369 – 1092
Lumens per Watt	29 – 34
R9 Value ¹	56 – 60

¹ Based on a measurement of a subset of sizes and lighting styles



InLine Modular Lighting Worksheet

FEATURES

Select Dimension (W x H):

3-1/2" x 30"

3-1/2" x 40"

Select Lighting Style:

InLine

Select Light Type:

LED

Select Color:

Silver

Select Lens Type:

Frosted

Select Finish:

Mirror

Select Dimmable:

Dimmable

Select Lighting Option:

Soft White (2700K)

Bright White (4000K)

Tunable White (2700K – 5600K)

MODEL	ML	I	L	S	F	MR	D
3.530							
3.540							
	I						
	L						
	S						
	F						
	MR						
	D						
							3
							4
							V

CUSTOMER INFORMATION

Name

Address

City/State/Zip

Telephone

Date Ordered

Light Selection

Notes

InLine Modular Lighting



A tunable LED task lighting solution, InLine lighting provides a seamless and flush aesthetic that can be ganged with medicine cabinets.

- Choose between soft, relaxing tones (3000K) that replicate indoor lighting and bright, invigorating tones (4000K), which simulate bright daylight or variable lighting that allows you to adjust between soft white and cool white with the use of dimmers
- Modular lighting can be ganged with M Series cabinets, PL PORTRAY™ cabinets, PL Series cabinets and Modular mirrors
- Dimmable LED task lighting to 1% lets you select the ideal brightness for any task, using a standard residential dimmer that works with your home's existing wiring



Two Week Lead Time



Dimmable LED



Tunable



Modular

ML3.5 InLine Modular LED Light (Quantity 1 = Single) – M Series & PL Series



Description	For Use With M Series & PL Series	Model	Price
3000K, Dimmable	30" H Cabinets (RO: 2-3/4" W x 29-1/4" H)	ML3.530ILSFMRD3	\$ 849.
4000K, Dimmable	30" H Cabinets (RO: 2-3/4" W x 29-1/4" H)	ML3.530ILSFMRD4	\$ 849.
Variable, Dimmable	30" H Cabinets (RO: 2-3/4" W x 29-1/4" H)	ML3.530ILSFMRDV	\$ 999.
3000K, Dimmable	40" H Cabinets (RO: 2-3/4" W x 38-5/8" H)	ML3.540ILSFMRD3	\$ 949.
4000K, Dimmable	40" H Cabinets (RO: 2-3/4" W x 38-5/8" H)	ML3.540ILSFMRD4	\$ 949.
Variable, Dimmable	40" H Cabinets (RO: 2-3/4" W x 38-5/8" H)	ML3.540ILSFMRDV	\$ 1,179.

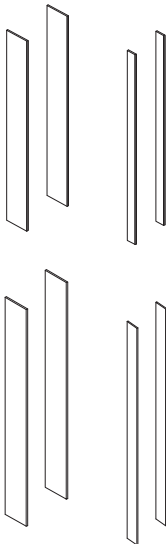
Ganging kit required if InLine lights are used with multiple cabinets:

MGKIT

\$ 49.

Operates on 120 VAC and 0.5A (3000K/4000K) or 1.0A (variable) per fixture. LEDs are CRI 90 and dimmable.

Surface-Mount Kits (sold separately)



Description	Model	Price
Surface-Mount Kits – Quantity 1 = Pair of Side Kits and Mounting Hardware Required for surface-mount installation		
30" H, D4 – Surface-Mount, Polished Edge	MSMK30D4P	\$ 149.
30" H, D6 – Surface-Mount, Polished Edge	MSMK30D6P	\$ 199.
30" H, D8 – Semi-Recessed, Polished Edge	MSMK30D8SRP	\$ 149.
40" H, D4 – Surface-Mount, Polished Edge	MSMK40D4P	\$ 249.
40" H, D6 – Surface-Mount, Polished Edge	MSMK40D6P	\$ 349.
40" H, D8 – Semi-Recessed, Polished Edge	MSMK40D8SRP	\$ 249.

Note: Models in **bold** indicate Quick Ship product.

SEE PAGE 169 FOR TIPS & FEATURES.

1.5 Series Modular Lighting – Table of Contents, Tips & Features

Table of Contents

M Series & PL Series 1.5 Series Modular Lighting 173

Modular Lighting Ganging Reference 159

Tips & Features

Dimensions & Weight

- Dimensions (W x H):
1-1/2" x 30" (38 mm x 762 mm)
1-1/2" x 39-3/8" (38 mm x 1000 mm)
- Depth: 2-1/8" (54 mm)
- Net Weight: 11 lbs

Features & Benefits

- A choice between glass or acrylic lens
- End caps:
Chrome or Brushed Nickel for M Series
White, Chrome or Black for PL Series
- Dimmable ballast and non-dimmable ballast options
- Includes 3000K T8, color-corrected bulbs for optimal task lighting
- Works with surface-mount or recessed applications
- Title 24 compliant when used with a Title 24 certified bulb (certified bulb not included)
- UL listed for damp locations
- Will operate in high humidity or damp spaces.
ETL certified to UL 1598
CSA Standard C22.2 No. 250.0

Installation

- This installation may require more than one person
- Two lights per kit includes: 3,000K T-8 color corrected bulb, dimmable electronic ballast and choice of glass or acrylic shade and end cap finishes
- Dimmable bulbs carry a lifetime bulb replacement warranty
- Not available as a half kit. Two fixtures required for installation.
- Single light is 1-1/2" W. Light kit adds 3" to overall width of installation. Include this in rough opening calculation.
- Recommended dimmer: Lightolier – Sunrise Series, Model # ZP600-EB or the Lutron[®], Model# DVFTU-5A3P (4 sets of lights can go on one dimmer). Light uses the advanced Mark X ballast.
- 40" H = 25 watts each bulb (Model BULBFL3602);
30" H = 17 watt each bulb (Model BULBFL2402).
Bulbs are included. Two bulbs per pack.
- Ganging kit required if used to mount with multiple cabinets and comes with 1 pair to gang two sides of a cabinet
- The Master-to-Remote Cable is included with the fixture, but is sold separately for rough-in (6-foot limit for distance)

Accessories

- Ganging Kit (1.5GKIT)
- Master-to-Remote Cable (MFL1.5CABL)



1.5 Series Modular Lighting – M Series & PL Series

With a sleek style and a modular design, 1.5 Series lighting simplifies the styling experience.

- A choice between glass or acrylic lens
- End caps are available in Chrome, Brushed Nickel, White or Black
- Dimmable or non-dimmable ballast options



Two Week
Lead Time

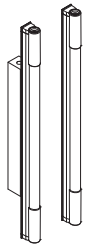


Dimming



Modular

ML1.5 Modular Fluorescent Light Kits – M Series



Description	For Use With M Series	Chrome End Caps	Brushed Nickel End Caps	Price
Glass Shade – Dimmable	30" H Cabinets	ML1.530VFSGCRDN	ML1.530VFSGBNDN	\$ 1,399.
Acrylic Shade – Dimmable	30" H Cabinets	ML1.530VFSACRDN	ML1.530VFSABNDN	\$ 1,099.
Glass Shade – Dimmable	40" H Cabinets	ML1.540VFSGCRDN	ML1.540VFSGBNDN	\$ 1,549.
Acrylic Shade – Dimmable	40" H Cabinets	ML1.540VFSACRDN	ML1.540VFSABNDN	\$ 1,229.

Ganging kit required if modular fluorescent lights are used with multiple cabinets:

1.5GKIT

\$ 49.

Master-to-Remote Cable*

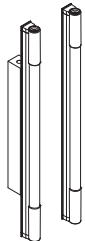
MFL1.5CABL

\$ 99.

*The cable is included with the fixture but is sold separately for rough-in.

Title 24 compliant when used with a Title 24 certified bulb (certified bulb not included).

PL30_/PL40_ 1.5 Modular Fluorescent Light Kits – PL Series



Description	For Use With PL Series	White End Caps	Chrome End Caps	Black End Caps	Price
Glass Shade – Dimmable	30" H Cabinets	PL30GWH	PL30GCH	PL30GBL	\$ 1,399.
Acrylic Shade – Dimmable	30" H Cabinets	PL30PWH	PL30PCH	PL30PBL	\$ 1,099.
Acrylic Shade – Non-Dimmable	30" H Cabinets	PL30PWHN	PL30PCHN	PL30PBLN	\$ 899.
Glass Shade – Dimmable	40" H Cabinets	PL40GWH	PL40GCH	PL40GBL	\$ 1,549.
Acrylic Shade – Dimmable	40" H Cabinets	PL40PWH	PL40PCH	PL40PBL	\$ 1,229.

Ganging kit required if modular fluorescent lights are used with multiple cabinets:

1.5GKIT

\$ 49.

Title 24 compliant when used with a Title 24 certified bulb (certified bulb not included).

SEE PAGE 172 FOR TIPS & FEATURES.

Uplift® Lighting – Table of Contents, Tips & Features

Table of Contents

Uplift® Lighting 175

Tips & Features

Uplift Pendant: Dimensions & Weight

- Dimensions (W x H):
6-1/2" x 16-3/4" (165 mm x 426 mm)
- Net Weight: 4 lbs

Uplift Pendant: Configurable Options

- Metal Finishes:
Anodized Aluminum, Polished Chrome, Brushed Nickel,
Polished Nickel

Uplift Pendant: Features & Benefits

- Sleek and minimalist in style, warm and inviting in use
- Night Light provides a soft, warm glow that allows you to use the space safely at night
- Title 24 California energy code compliant
- Constructed to operate in high humidity or damp spaces. ETL/UL Certified for damp locations

Uplift Pendant: Installation

- Ceiling mounted
- Sold as a single unit – bulbs not included
- Recommended Bulbs – Robern's 24W, 3000K, 2G11 base (X219-1145) or Philips PL-L24W/830/4D or Sylvania FT24DL/830/ECO

Uplift Sconce: Dimensions & Weight

- Dimensions (W x H):
3" x 22" (76 mm x 559 mm)
- Depth: 4" (102 mm)
- Net Weight: 4 lbs

Uplift Sconce: Configurable Options

- Metal Finishes:
Anodized Aluminum, Polished Chrome, Brushed Nickel,
Polished Nickel

Uplift Sconce: Features & Benefits

- Sleek and minimalist in style, warm and inviting in use
- Night Light provides a soft, warm glow that allows you to use the space safely at night
- Title 24 California energy code compliant
- Constructed to operate in high humidity or damp spaces. ETL/UL Certified for damp locations

Uplift Sconce: Installation

- Sold as a single unit – bulbs not included
- Recommended Bulbs – Robern's 24W, 3000K, 2G11 base (X219-1145) or Philips PL-L24W/830/4D or Sylvania FT24DL/830/ECO



Uplift® Lighting



A sleek and minimalist lighting solution, Uplift pendant and sconce provides both task and night light; available in four metal finishes.

- Available in Anodized Aluminum, Chrome, Brushed Nickel and Polished Nickel
- Night light provides a soft, warm glow that allows you to use the space safely at night
- Sold as a single unit; bulb not included

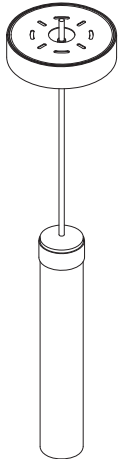


Two Week
Lead Time



Night
Light

Uplift Pendant with Night Light – 6-1/2" x 16-3/4" H

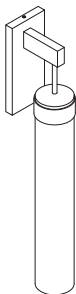


Description	For Use With	Model	Price
Anodized Aluminum Finish	All Cabinets	UFLPAL	\$ 749.
Polished Chrome Finish	All Cabinets	UFLPCRL	\$ 879.
Brushed Nickel Finish	All Cabinets	UFLPBNL	\$ 879.
Polished Nickel Finish	All Cabinets	UFLPPNL	\$ 879.
Bulb: 24W, 3000K, 2G11 base	Uplift Lighting	X219-1145	\$ 99.

Recommended Bulbs – available online and in most lighting supply stores:
Philips PL-L24W/830/4D or Sylvania FT24DL/830/ECO

Title 24 compliant when used with a Title 24 certified bulb (certified bulb not included).

Uplift Sconce with Night Light – 3" W x 22" H x 4" D



Description	For Use With	Model	Price
Anodized Aluminum Finish	All Cabinets	UFLWAL	\$ 749.
Polished Chrome Finish	All Cabinets	UFLWCRL	\$ 879.
Brushed Nickel Finish	All Cabinets	UFLWBNL	\$ 879.
Polished Nickel Finish	All Cabinets	UFLWPNL	\$ 879.
Bulb: 24W, 3000K, 2G11 base	Uplift Lighting	X219-1145	\$ 99.

Recommended Bulbs – available online and in most lighting supply stores:
Philips PL-L24W/830/4D or Sylvania FT24DL/830/ECO

Title 24 compliant when used with a Title 24 certified bulb (certified bulb not included).

 **Note:** Models in **bold** indicate Quick Ship product.

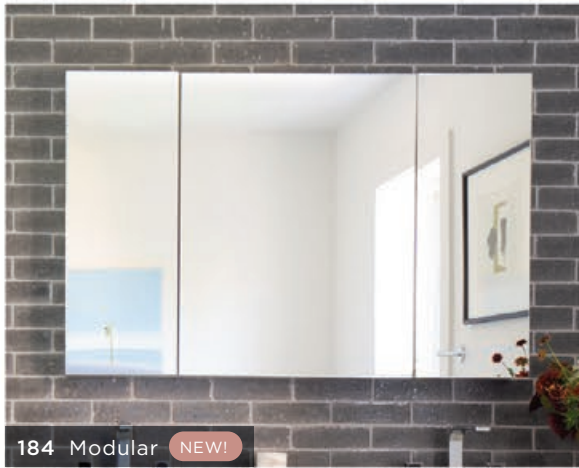
SEE PAGE 174 FOR TIPS & FEATURES.



MIRRORS

Modular Mirrors 184
AiO® 187
Sculpt® 190

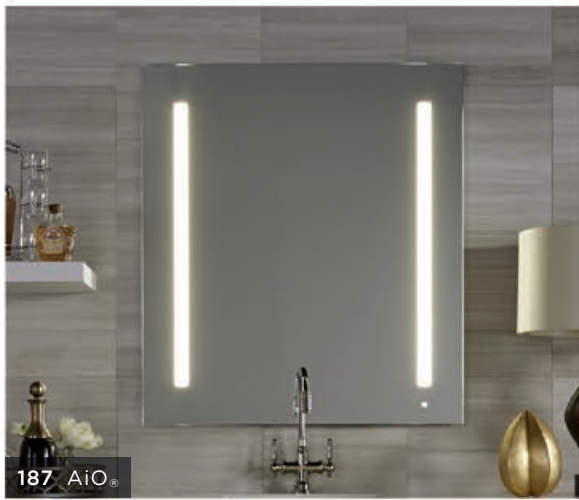
Profiles® 194
Vitality® 197
Main Line 203



184 Modular **NEW!**



190 Sculpt[®]



187 AiO[®]

PRICING CONTINUUM

Robern offers a range of mirrors in varying price points to meet your needs.

Prices noted below are opening price points.



NEW!
Modular
\$349



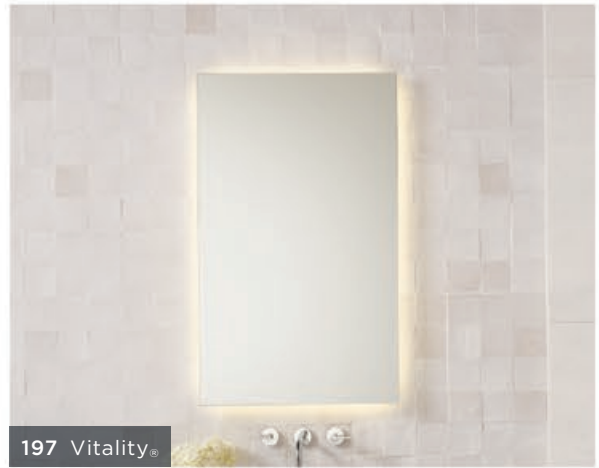
Main Line
\$599



Vitality[®]
\$599



194 Profiles®



197 Vitality®



203 Main Line



Profiles
\$1,099



Sculpt®
\$1,149



AiO®
\$1,529

PRODUCT COMPARISON GUIDE / MIRRORS

	MODULAR	AiO®	SCULPT®	PROFILES®	VITALITY®	MAIN LINE
AVAILABLE FEATURES						
Dimmable LED via Capacitive Touch (LUM®)		•				
Dimmable LED via Third Party Control	With Modular Lighting		•	With Modular Lighting	•	
Tunable LED (2700K-5600K and 3000K-4000K options)	With Modular Lighting			With Modular Lighting		
Integrated Lighting		•	•		•	
Audio/Bluetooth		•				
Defogger			•		•	
Modular	•			•		
Night Light		•				
USB Charging		•				
Pinch Cleat Installation		•		•		•
Plug and Hang Installation			•		•	
STYLES						
Rectangle	•	•	•	•	•	•
Circle					•	
Framed			•	•		•
Full Length		•				
LIGHT PATTERNS						
Inset Perimeter					•	
Perimeter			•		•	
Column		•			•	
Edge Lit					•	
Glow					•	

	MODULAR	AiO®	SCULPT®	PROFILES®	VITALITY®	MAIN LINE
CONFIGURABLE ATTRIBUTES						
Non-Electric	●			●		●
Electric		●	●		●	
Polished Edge	●					
Bevel Edge	●					
2700 Kelvin Temperature		●	●	With Modular Lighting	●	
3000 Kelvin Temperature	With Modular Lighting					
4000 Kelvin Temperature	With Modular Lighting	●		With Modular Lighting	●	
Flip: 48" x 36" or 36" x 48"					●	
METAL FINISHES						
Chrome			●	●		●
Polished Nickel			●	●		●
Matte Gold			●	●		
Matte Black			●	●		
Satin Nickel						●
Brushed Nickel						●
Brushed Black						●
Brushed Bronze						●
CERTIFICATIONS & CODE COMPLIANCE						
UL/ETL	N/A	●	●	N/A	●	N/A
Title 24 Compliant			●		●	
ADA Design Options	●	●			●	
ADD-ON ACCESSORIES						
Ganging Kit				●		

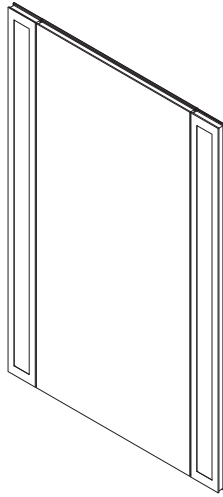
WHAT'S NEW / MODULAR MIRRORS



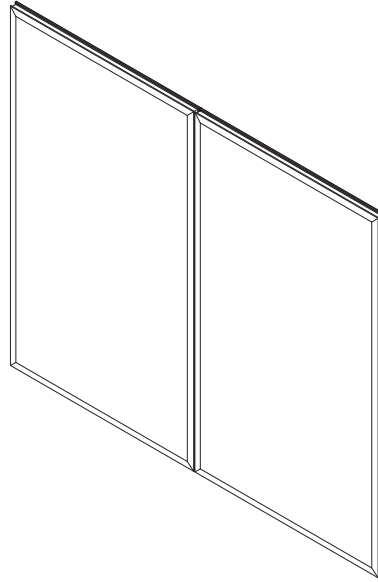
WIDEN YOUR HORIZONS

Modular Mirrors are designed to fit precisely with the sizing and aesthetic style of your Robern medicine cabinet and lighting, so you can mix and match to create a stunning array that adapts to your construction needs. Robern cabinets provide storage where space allows, while Modular Mirrors seamlessly transition across areas where behind-the-wall obstructions exist. The result: a one-stop solution for styling space design, with no limits on the impact you can make.

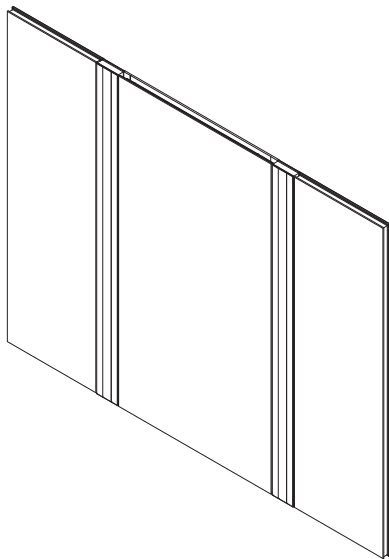
Mirror Ganging Reference



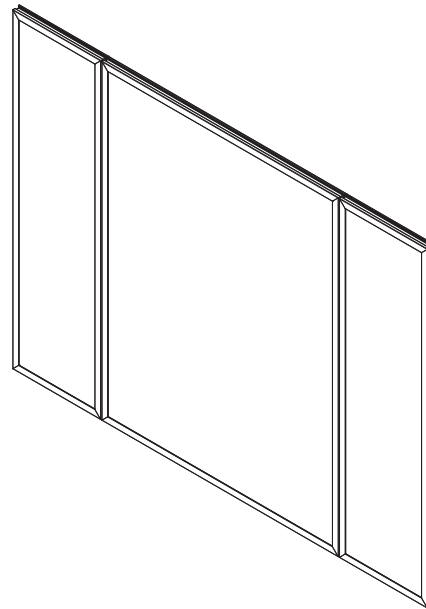
27" W x 40" H Recessed Installation
Light | Mirror | Light
(2) ML3.540ILSFMRD3 – Inline Lighting
(1) MODM2040FP



48" W x 40" H Recessed Installation
Mirror | Mirror
(2) MODM2440FB



49-1/2" W x 36" H Recessed Installation
Mirror | Light | Cabinet | Light | Mirror
(2) MODM1236FP
(2) GLB36MLSS3D – Vesper™ Midline Lighting
(1) P2C2036D4FPFS



54" W x 40" H Recessed Installation
Cabinet | Mirror | Cabinet
(1) PC1240D4TLE76
(1) PC1240D4TRE76
(1) PM3040T76
(1) PMGKIT3040

For more guidance on our modular solutions, visit robern.com/modularity.

Modular Mirrors – Table of Contents, Tips & Features

NEW!

Table of Contents

Modular Mirror Worksheet	185
Modular Mirrors	186
Mirror Ganging Reference	183

Tips & Features

Dimensions & Weight

- Dimensions (W x H):
 - 11-1/4" x 30" (286 mm x 762 mm)
 - 11-1/4" x 36" (286 mm x 914 mm)
 - 11-1/4" x 39-3/8" (286 mm x 1000 mm)
 - 15-1/4" x 30" (387 mm x 762 mm)
 - 15-1/4" x 36" (387 mm x 914 mm)
 - 15-1/4" x 39-3/8" (387 mm x 1000 mm)
 - 19-1/4" x 30" (489 mm x 762 mm)
 - 19-1/4" x 36" (489 mm x 914 mm)
 - 19-1/4" x 39-3/8" (489 mm x 1000 mm)
 - 23-1/4" x 30" (591 mm x 762 mm)
 - 23-1/4" x 36" (591 mm x 914 mm)
 - 23-1/4" x 39-3/8" (591 mm x 1000 mm)
- Depth: 7/8" (22 mm)
- Net Weight: 12 – 21 lbs

Configurable Options

- Edge Type:
 - Polished Edge, Bevel Edge

Features & Benefits

- Widen your horizons with more design flexibility by pairing mirrors with cabinets and lighting to ensure flush alignment
- Use a mirror to seamlessly transition across areas where behind-to wall obstructions exist
- Available in 3/4" bevel or polished edge mirror
- Modular mirrors can be ganged with M Series, PL PORTRAY™, PL Series, AiO® and Vitality® Cabinets
- Pair with InLine and Vesper™ lighting (Vesper must be mounted to a cabinet) to create task lighting in your styling space

Construction

- Durable rust-free anodized aluminum and glass construction – resists intense moisture, ensuring long-lasting beauty
- Hang in portrait orientation only

Installation

- This installation may require more than one person
- Includes installation hardware
- When ganging mirror with InLine Lighting only, no ganging kit is needed – simply align the mirror next to the light for a seamless look
- When ganging mirror with Vesper Lighting, the lighting must be attached to a cabinet



Modular Mirror Worksheet

FEATURES

Select Dimension (W x H):

- 12" x 30"
- 12" x 36"
- 12" x 40"
- 16" x 30"
- 16" x 36"
- 16" x 40"
- 20" x 30"
- 20" x 36"
- 20" x 40"
- 24" x 30"
- 24" x 36"
- 24" x 40"

Select Mirror Style:

- Polished Edge
- Bevel Edge

MODEL

- 1230
- 1236
- 1240
- 1630
- 1636
- 1640
- 2030
- 2036
- 2040
- 2430
- 2436
- 2440

MODM

- FP
- FB

MIRRORS

CUSTOMER INFORMATION

Name _____

Address _____

City/State/Zip _____

Telephone _____

Date Ordered _____

Light Selection _____

Notes _____

Modular Mirrors

NEW!



Widen your horizons with more design flexibility than ever before. Modular Mirrors are designed to fit precisely with the sizing and the aesthetic style of your Robern medicine cabinet and lighting, so you can mix and match to create a stunning array that adapts to your construction needs.

- Seamlessly transition across areas where behind-to wall obstructions exist
- Modular mirrors can be ganged with M Series, PL PORTRAY™, PL Series, AiO® and Vitality® Cabinets
- Pair with InLine and Vesper™ modular lighting to create a task lighting in your styling space



Two Week
Lead Time



Modular

12" W x 30" H Cabinets

	Description	Polished Edge	Bevel Edge	Price
Modular 30" H Mirrors				
	11-1/4" W x 30" H x 7/8" D	MODM1230FP	MODM1230FB	\$ 349.
	15-1/4" W x 30" H x 7/8" D	MODM1630FP	MODM1630FB	\$ 379.
	19-1/4" W x 30" H x 7/8" D	MODM2030FP	MODM2030FB	\$ 399.
	23-1/4" W x 30" H x 7/8" D	MODM2430FP	MODM2430FB	\$ 429.
Modular 36" H Mirrors				
	11-1/4" W x 36" H x 7/8" D	MODM1236FP	MODM1236FB	\$ 379.
	15-1/4" W x 36" H x 7/8" D	MODM1636FP	MODM1636FB	\$ 409.
	19-1/4" W x 36" H x 7/8" D	MODM2036FP	MODM2036FB	\$ 429.
	23-1/4" W x 36" H x 7/8" D	MODM2436FP	MODM2436FB	\$ 459.
Modular 40" H Mirrors				
	11-1/4" W x 39-3/8" H x 7/8" D	MODM1240FP	MODM1240FB	\$ 399.
	15-1/4" W x 39-3/8" H x 7/8" D	MODM1640FP	MODM1640FB	\$ 429.
	19-1/4" W x 39-3/8" H x 7/8" D	MODM2040FP	MODM2040FB	\$ 449.
	23-1/4" W x 39-3/8" H x 7/8" D	MODM2440FP	MODM2440FB	\$ 479.

SEE PAGE 184 FOR TIPS & FEATURES.

AiO® Lighted Mirrors – Table of Contents, Tips & Features

Table of Contents

AiO Mirror Worksheet	188
AiO Lighted Mirrors	189
Mirror Ganging Reference	183

Tips & Features

Dimensions & Weight

- Dimensions (W x H):
23-1/8" x 29-7/8" (587 mm x 759 mm)
23-1/8" x 39-1/4" (587 mm x 997 mm)
23-1/8" x 69-7/8" (587 mm x 1775 mm)
29-1/8" x 29-7/8" (740 mm x 759 mm)
29-1/8" x 39-1/4" (740 mm x 997 mm)
29-1/8" x 69-7/8" (740 mm x 1775 mm)
35-1/8" x 29-7/8" (892 mm x 759 mm)
35-1/8" x 39-1/4" (892 mm x 997 mm)
35-1/8" x 69-7/8" (892 mm x 1775 mm)
- Depth: 1-1/2" (38 mm)
- Net Weight: 45 – 75 lbs

Configurable Options

- Audio Upgrade: OM[®] audio or non-audio version
- Lighting Options:
Soft White (2700K) or Bright White (4000K)

Features & Benefits

- OM Audio: built-in speakers with a range up to 30 feet with a 2 channel stereo at 20 watts/channel. Bluetooth connectivity supports most Android and iOS devices. Volume controlled by device
- LUM[®] Lighting: Integrated dimmable LED lights and one-touch lighting control with capacitive-touch switch built into the mirror
- Choose between soft, relaxing tones (2700K) that replicate indoor lighting or bright, invigorating tones (4000K), which simulate bright daylight
- Light direction and output eliminates dark shadows, provides bright even task lighting and rich, saturated tone in your reflection
- Remarkably accurate color rendering with a CRI value of 90+ and R9 of 50+, so you can see your truest reflection
- Dimmable lighting lets you select the ideal brightness for any task, using a standard dimmer that works with existing wiring
- Energy efficient LEDs with an estimated life of 53,000 hours
- Includes two USB charging ports
- Constructed to operate in high humidity or damp spaces. ETL certified to UL 1598, CSA Standard C22.2, No. 250.0

Construction

- Durable rust-free anodized aluminum and glass construction – resists intense moisture, ensuring long-lasting beauty
- Powder coated steel back frame
- Quality polished edge mirror
- Constructed for surface mounting
- Salt Spray Testing: ASTM Standard for 300 hours performed to test mirror quality against desilvering and degradation resulting from environmental exposure
- Secure placement: Independent lab testing of mirror and frame mounting to ensure that it meets the standard for safety

Installation

- Installation may require more than one person
- Single field wire installation; hardwire to a wall or a switch (120 VAC 60 Hz 1.2A)
- 1/2" conduit (7/8" actual) electrical knockout
- Includes installation hardware with easy installation via Pinch Cleat Mounting System and back pan design for easy wiring
- Hang in portrait orientation only

Lighting Specs

Kelvin	2700K 4000K
CRI	90+
Lumens ¹	1250
Lux ^{1, 2}	710
R9 Value ¹	50+
Foot-candles ^{1, 2}	66

¹ Measured on a 24" W x 30" H model

² Measured at 18" from center of the mirror

Efficacy (LED Source)

Watts per Foot	8.8
Lumens per Foot	610
Lumens per Watt	69



AiO® Lighted Mirror Worksheet

FEATURES

Select Dimension (W x H):

24" x 30"

24" x 40"

24" x 70"

30" x 30"

30" x 40"

30" x 70"

36" x 30"

36" x 40"

36" x 70"

MODEL

2430

2440

2470*

3030

3040

3070*

3630

3640

3670*

AM

R

FP

Select Capacitive Touch Control Location:

Right

R

Select Mirror Style:

Polished Edge

FP

Select Audio Upgrade:

None

(leave blank with no space)

—

OM® Audio

A

Select Lighting Option:

Soft White (2700K)

W

Bright White (4000K)

(leave blank with no space)

—

MIRRORS

Note:

* 70" H not available with OM Audio.

CUSTOMER INFORMATION

Name

Address

City/State/Zip

Telephone

Date Ordered

Light Selection

Notes

AiO[®] Lighted Mirrors



For a mirror with a minimalist aesthetic that provides the perfect task lighting and is easy to use, our AiO Lighted Mirror combines soft or bright task lighting, integrated USB ports and fine-tuned audio capability for a connected experience in your styling space.

- **OM[®] Audio:** built-in speakers with Bluetooth connectivity supports most Android and iOS devices. Volume controlled by device
- **LUM[®] Lighting:** integrated dimmable LED lights and one-touch lighting control with capacitive-touch switch built into the mirror
- Choose between soft, relaxing tones (2700K) that replicate indoor lighting or bright, invigorating tones (4000K), which simulate bright daylight



Two Week Lead Time



Audio/Bluetooth[®]

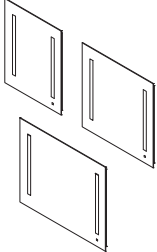
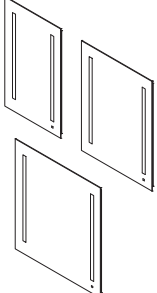
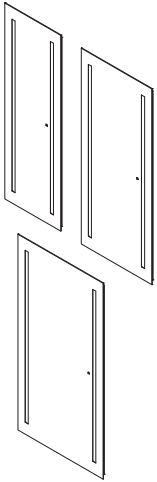


USB Charging



Dimmable LED

AiO Lighted Mirrors

Description	2700K	4000K	Price	2700K With Audio	4000K With Audio	Price
AiO 30" H Mirrors						
 23-1/8" W x 29-7/8" H x 1-1/2" D	AM2430RFPW	AM2430RFP	\$ 1,529.	AM2430RFPW	AM2430RFP	\$ 1,949.
29-1/8" W x 29-7/8" H x 1-1/2" D	AM3030RFPW	AM3030RFP	\$ 1,699.	AM3030RFPW	AM3030RFP	\$ 2,149.
35-1/8" W x 29-7/8" H x 1-1/2" D	AM3630RFPW	AM3630RFP	\$ 1,879.	AM3630RFPW	AM3630RFP	\$ 2,349.
AiO 40" H Mirrors						
 23-1/8" W x 39-1/4" H x 1-1/2" D	AM2440RFPW	AM2440RFP	\$ 1,799.	AM2440RFPW	AM2440RFP	\$ 2,249.
29-1/8" W x 39-1/4" H x 1-1/2" D	AM3040RFPW	AM3040RFP	\$ 1,949.	AM3040RFPW	AM3040RFP	\$ 2,429.
35-1/8" W x 39-1/4" H x 1-1/2" D	AM3640RFPW	AM3640RFP	\$ 2,149.	AM3640RFPW	AM3640RFP	\$ 2,649.
AiO Full Length Mirrors						
 23-1/8" W x 69-7/8" H x 1-1/2" D	N/A	AM2470RFP	\$ 3,279.	N/A	N/A	N/A
29-1/8" W x 69-7/8" H x 1-1/2" D	N/A	AM3070RFP	\$ 3,529.	N/A	N/A	N/A
35-1/8" W x 69-7/8" H x 1-1/2" D	N/A	AM3670RFP	\$ 3,749.	N/A	N/A	N/A

 **Note:** Models in **bold** indicate Quick Ship product.

SEE PAGE 187 FOR TIPS & FEATURES.

MIRRORS

Sculpt® Lighted Mirrors – Table of Contents, Tips & Features

Table of Contents

Sculpt Lighted Mirror Tips & Features	190 – 191
Sculpt Lighted Mirror Worksheet	192
Sculpt Lighted Mirrors	193
Mirror Ganging Reference	183

Tips & Features

Dimensions & Weight

- Dimensions (W x H):
Slim Museum
25-1/4" x 31-1/4" (641 mm x 794 mm)
25-1/4" x 41-1/4" (641 mm x 1048 mm)
31-1/4" x 41-1/4" (794 mm x 1048 mm)
Chamfer Museum
27" x 33" (686 mm x 838 mm)
27" x 43" (686 mm x 1092 mm)
33" x 43" (838 mm x 1092 mm)
- Frame Depth:
Slim Museum = 2-1/4" (57 mm)
Chamfer Museum = 2-5/16" (59 mm)
- Net Weight: 28 – 40 lbs

Configurable Options

- Frame Styles: Slim Museum, Chamfer Museum
- Title 24 Compliant:
Title 24 Compliant and not compliant
- Metal Frame Finishes:
Chrome, Polished Nickel, Matte Gold, Matte Black

Features & Benefits

- An assortment of styles and sizes to accentuate and meet the needs of a variety of styling spaces
- Museum frames showcase a 3/8" gap between the edge of the mirror and the overall frame. The lighting and gap work together to create an even, uniformed illumination across the frame and finishes while providing ambiance and task lighting
- Museum frames include two frame styles:
Slim and Chamfer
Slim Museum Frame: for a shadow box effect and to complement a modern aesthetic, the sleek profile creates a minimalist look
Chamfer Museum Frame: the angled design adds dimension for a unique look that pairs well with transitional and traditional environments

Features & Benefits (Continued)

- Match or coordinate fixtures in your styling space with four popular metal frame finishes:
Chrome, Polished Nickel, Matte Gold, Matte Black
- Create a coordinated ensemble by pairing with Profiles Vanities
- Soft, relaxing tones (2700K) that replicate indoor lighting
- Light direction and output eliminates dark shadows, provides bright, even task lighting and rich, saturated tone in your reflection
- Remarkably accurate color rendering with a CRI value of 90+ and R9 of 50+, so you can see your truest reflection
- Dimmable LED task lighting lets you select the ideal brightness for any task, using a standard dimmer that works with existing wiring. The mirror's LED task lighting provides continuously dimmable brightness to 1%
- Defogging technology ensures a clear reflection using a standard wall switch
- Energy efficient LEDs with an estimated life of 53,000 hours
- Compatible with most Triac/Phase-cut dimmers
- Constructed to operate in high humidity or damp spaces. UL Certified for damp locations to UL 962, CSA Standard C22.2

Title 24 Compliant Models

- LED mirror models (K) tested and certified to California Title 24 standards and meet JA8 2016 requirements
- The Title 24 certified LED mirror has up to 60% more lumen output than the standard model. This increases the overall brightness of warm white light that illuminates your space and reflection
- The mirror's LED task lighting exceeds Title 24 requirements (< 10% minimum dimming level) with continuously dimmable brightness to 1%
- Vacancy and dimmer recommendation:
Maestro C•L Dimmer and Motion Sensor



Sculpt® Lighted Mirrors – Tips & Features

Tips & Features (Continued)

Construction

- Frame Construction:
Plated Chrome and Polished Nickel finishes provide easy upkeep, exceptional durability, and a timeless look that complements any design
Anodized Matte Gold and Matte Black finish options are easy to maintain and won't chip, peel, or fade – so you can enjoy their beauty for years to come
- Durable rust-free anodized aluminum and glass construction – resists intense moisture, ensuring long-lasting beauty
- Quality polished edge mirror
- Constructed for surface mounting
- Salt Spray Testing: ASTM Standard for 300 hours performed to test mirror quality against desilvering and degradation resulting from environmental exposure
- Secure placement: Independent lab testing of mirror and frame mounting to ensure that it meets the standard for safety

Installation

- This installation may require more than one person
- Includes installation hardware with easy installation via Plug and Hang System:
Install mirror by plugging into an outlet behind the mirror, eliminating the need to bring back an electrician to install or remove – making it a cinch for both new construction and renovations.
Works in all North American outlets
Hang the mirror using a pinch cleat mounting system, which provides strength and simplicity to the installation process
- Requires 120 VAC 20 amp GFCI circuit protected wall outlet (configured as detailed in installation instructions)
- Mirror functions (lighting, defogger) operated using standard residential dimmers and switches, available separately through electrical supply and home improvements centers
- Dimmer recommendation:
C•L® Dimmers or Caseta Wireless from LUTRON®
- For on/off (no dimmer) operation, a standard wall switch may be substituted in place of the dimmer
- Hang in portrait orientation only

Lighting Specs

Kelvin	2700K
CRI	90+
Lumens ¹	746 – 1488
Lux ^{1, 2}	275 – 690
R9 Value ¹	50+
Foot-candles ^{1, 2}	26 – 64

¹ Based on a measurement of a subset of sizes, shapes and lighting styles

² Measured at 18" from center of the mirror

Efficacy (LED Source)

Watts per Foot	3 – 6
Lumens per Foot	170 – 400
Lumens per Watt	68

Lighting Specs: Title 24 Sculpt

Kelvin	2700K
CRI	90+
Lumens	3071
Lux ²	345
R9 Value	50+
Foot-candles ²	32

¹ Measured on a 36" W x 40" H model

² Measured at 18" from center of the mirror



Sculpt® Lighted Mirror Worksheet

FEATURES

Select Dimension (W x H):*

25" x 31"

25" x 41"

27" x 33"

27" x 43"

31" x 41"

33" x 43"

Select Shape:

Rectangle/Square

Select Light Pattern:

Perimeter

Select Mirror Style:

Slim Museum Frame

Chamfer Museum Frame

Select Technology:

Defogger

Select Lighting Option:

Soft White (2700K)

Select Title 24 Compliant:

Not Title 24 Compliant
(leave blank with no space)

Title 24 Compliant

Select Metal Finish Option:

Chrome

Polished Nickel

Matte Gold

Matte Black

MODEL	YM	R	P	D	3
2531					
2541					
2733					
2743					
3141					
3343					
R					
P					
SM					
CM					
D					
3					
K					
76					
77					
82					
83					

Note:

* Slim Museum available in 25" x 31", 25" x 41" and 31" x 41"; Chamfer Museum available in 27" x 33", 27" x 43" and 33" x 43".

CUSTOMER INFORMATION

Name

Address

City/State/Zip

Telephone

Date Ordered

Light Selection

Notes

Sculpt® Lighted Mirrors



The sophisticated interplay of premium task lighting and museum frames makes the Sculpt Lighted Mirror an undeniably exquisite focal point in a variety of styling spaces.

- An assortment of styles and sizes to accentuate and meet the needs of a variety of styling spaces
- Museum frames showcase the lighted mirror by featuring a gap between the edge of the mirror and the overall frame. This kind of precision design allows for even task lighting, high CRI and lumen output so you still see your truest reflection
- Smooth and continuous dimming from standard LED dimmers and defogging via standard wall switch



Two Week Lead Time



Defogger

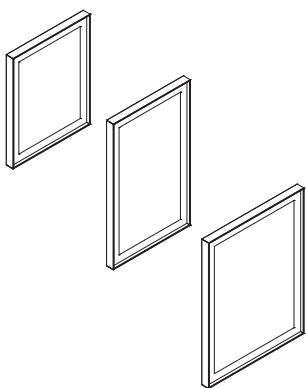
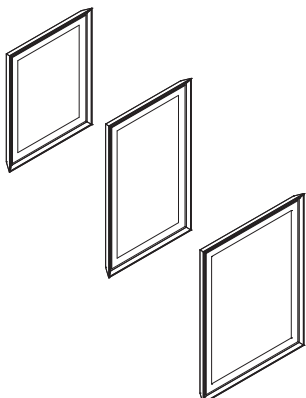


Dimmable LED



Title 24 Compliant

Sculpt Lighted Mirrors

Description	Model	FRAME FINISHES	
		76, 77 Price	82, 83 Price
Slim Museum Frame: Rectangle – Perimeter			
 25-1/4" W x 31-1/4" H x 2-1/4" D	YM2531RPSMD3 __	\$ 1,149.	\$ 1,249.
Title 24 – 25-1/4" W x 31-1/4" H x 2-1/4" D	YM2531RPSMD3K __	\$ 1,249.	\$ 1,349.
25-1/4" W x 41-1/4" H x 2-1/4" D	YM2541RPSMD3 __	\$ 1,349.	\$ 1,649.
Title 24 – 25-1/4" W x 41-1/4" H x 2-1/4" D	YM2541RPSMD3K __	\$ 1,479.	\$ 1,749.
31-1/4" W x 41-1/4" H x 2-1/4" D	YM3141RPSMD3 __	\$ 1,529.	\$ 1,779.
Title 24 – 31-1/4" W x 41-1/4" H x 2-1/4" D	YM3141RPSMD3K __	\$ 1,579.	\$ 1,849.
Chamfer Museum Frame: Rectangle – Perimeter			
 27" W x 33" H x 2-5/16" D	YM2733RPCMD3 __	\$ 1,529.	\$ 1,799.
Title 24 – 27" W x 33" H x 2-5/16" D	YM2733RPCMD3K __	\$ 1,649.	\$ 1,899.
27" W x 43" H x 2-5/16" D	YM2743RPCMD3 __	\$ 1,749.	\$ 1,999.
Title 24 – 27" W x 43" H x 2-5/16" D	YM2743RPCMD3K __	\$ 1,849.	\$ 2,099.
33" W x 43" H x 2-5/16" D	YM3343RPCMD3 __	\$ 1,879.	\$ 2,149.
Title 24 – 33" W x 43" H x 2-5/16" D	YM3343RPCMD3K __	\$ 1,949.	\$ 2,199.

Frame Finish Options

Fill in __ designator to Model listed above with desired finish. Example: YM3040RPSMD3K76.

- 76 Chrome
- 77 Polished Nickel
- 82 Matte Gold
- 83 Matte Black

SEE PAGES 190 – 191 FOR TIPS & FEATURES.

Profiles® Framed Mirrors – Table of Contents, Tips & Features

Table of Contents

Profiles Framed Mirror Worksheet	195
Profiles Framed Mirrors	196
Mirror Ganging Reference	183
Profiles Framed Cabinets	75 – 95
Profiles Lighting Options	164 – 168

Tips & Features

Dimensions & Weight

- Dimensions (W x H):
23-1/8" x 29-7/8" (587 mm x 759 mm)
23-1/8" x 39-1/4" (587 mm x 997 mm)
29-7/8" x 29-7/8" (759 mm x 759 mm)
29-7/8" x 39-1/4" (759 mm x 997 mm)
35-7/8" x 29-7/8" (911 mm x 759 mm)
35-7/8" x 39-1/4" (911 mm x 997 mm)
- Depth: 3/4" (19 mm);
15/16" (24 mm) when ganged with
vertical lighting or medicine cabinets
- Net Weight: 12 – 21 lbs

Configurable Options

- Metal Frame Finishes:
Chrome, Polished Nickel, Matte Gold, Matte Black

Features & Benefits

- Match all fixtures in your styling space with Profiles metal frame finishes for a coordinated look: Chrome, Polished Nickel, Matte Gold, Matte Black
- Modular mirrors can be ganged with Profiles Lighting and Profiles Medicine Cabinets with optional ganging kit
- Pair with Profiles Medicine Cabinets when storage is needed and Profiles Lighting to create task lighting in your styling space
- Create a coordinated ensemble by pairing with Profiles Medicine Cabinets, Profiles Lighting and Profiles Vanities

Construction

- Durable rust-free anodized aluminum and glass construction – resists intense moisture, ensuring long-lasting beauty
- Constructed for surface mounting

Installation

- This installation may require more than one person
- Includes installation hardware with easy installation via Pinch Cleat Mounting System
- For ganging with Profiles Medicine Cabinets or Profiles Lighting, a mirror ganging kit is needed to ensure flush alignment
- If ganging with Profiles Lighting, the existing ganging feature found on one side will need to be removed and the mirror ganging kit (PMGKIT – sold separately) will need to be installed
- Hang in portrait orientation only

Accessories

- Ganging Kit (PMGKIT____)



Profiles Framed Mirror Worksheet

FEATURES

Select Dimension (W x H):

24" x 30"

24" x 40"

30" x 30"

30" x 40"

36" x 30"

36" x 40"

Select Frame Width:

3/4"

Select Metal Finish Option:

Chrome

Polished Nickel

Matte Gold

Matte Black

MODEL

PM

T

2430

2440

3030

3040

3630

3640

T

76

77

82

83

MIRRORS

CUSTOMER INFORMATION

Name _____

Address _____

City/State/Zip _____

Telephone _____

Date Ordered _____

Light Selection _____

Notes _____

Profiles® Framed Mirrors



Put the finishing touches on your ensemble with a Profiles Mirror in coordinating metal finishes, and add Profiles lighting to create a stylish and functional getting-ready space. Profiles mirrors are available in portrait orientation but can easily be ganged together, or connected to a Profiles medicine cabinet, to extend their visual impact.

- Match all fixtures in your styling space with Profiles metal frame finishes for a coordinated look: Chrome, Polished Nickel, Matte Gold, Matte Black
- Modular mirrors can be ganged with Profiles lighting and Profiles medicine cabinets with optional ganging kit
- Pair with Profiles medicine cabinets when storage is needed and Profiles lighting to create task lighting in your styling space


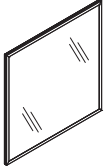
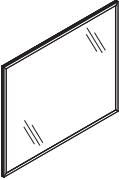
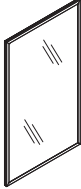
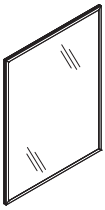
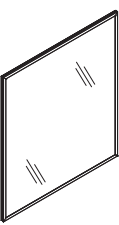


Two Week
Lead Time



Modular

Profiles Wall Mirrors

	Description	Model	FRAME FINISHES	
			76, 77 Price	82, 83 Price
Profiles 30" H Mirrors				
	23-1/8" W x 29-7/8" H x 3/4" D	PM2430T __	\$ 1,099.	\$ 1,199.
	29-7/8" W x 29-7/8" H x 3/4" D	PM3030T __	\$ 1,129.	\$ 1,249.
	35-7/8" W x 29-7/8" H x 3/4" D	PM3630T __	\$ 1,249.	\$ 1,349.
Profiles 40" H Mirrors				
	23-1/8" W x 39-1/4" H x 3/4" D	PM2440T __	\$ 1,199.	\$ 1,349.
	29-7/8" W x 39-1/4" H x 3/4" D	PM3040T __	\$ 1,299.	\$ 1,429.
	35-7/8" W x 39-1/4" H x 3/4" D	PM3640T __	\$ 1,429.	\$ 1,579.

Frame Finish Options

Fill in __ designator to Model listed above with desired finish. Example: **PM2430T77**.

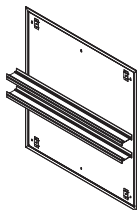
76 Chrome

77 Polished Nickel

82 Matte Gold

83 Matte Black

Add-On Accessories & Options



Description	Model	Price
Profiles Mirror/Lighting Ganging Kit		
Hardware required for ganging Profiles Mirrors with Profiles Lighting and Cabinets		
24x30	PMGKIT2430	\$ 399.
30x30	PMGKIT3030	\$ 449.
36x30	PMGKIT3630	\$ 499.
24x40	PMGKIT2440	\$ 399.
30x40	PMGKIT3040	\$ 449.
36x40	PMGKIT3640	\$ 499.

SEE PAGE 194 FOR TIPS & FEATURES.

Vitality® Lighted Mirrors – Table of Contents, Tips & Features

Table of Contents

Vitality Lighted Mirror Tips & Features	197 – 198
Vitality Lighted Mirror Worksheet	199
Vitality Lighted Mirrors	200 – 202
Rectangle	200 – 202
Round	202
Mirror Ganging Reference	183
Vitality Cabinets	70 – 74

Tips & Features

Dimensions & Weight

- Dimensions (W x H):
 - 30" (762 mm) Diameter
 - 40" (1016 mm) Diameter
 - 24" x 30" (610 mm x 762 mm)
 - 24" x 40" (610 mm x 1016 mm)
 - 30" x 30" (762 mm x 762 mm)
 - 30" x 40" (762 mm x 1016 mm)
 - 36" x 30" (914 mm x 762 mm)
 - 36" x 40" (914 mm x 1016 mm)
 - 48" x 36" (1219 mm x 914 mm)
- Title 24 Dimensions (W x H):
 - 24" x 30" (610 mm x 762 mm)
 - 24" x 40" (610 mm x 1016 mm)
 - 30" x 40" (762 mm x 1016 mm)
 - 36" x 40" (914 mm x 1016 mm)
- Depth: 1-3/4" (44 mm)
- Net Weight: 23 – 39 lbs

Configurable Options

- Light Patterns:
 - Perimeter Round, Perimeter Rectangle,
 - Edge Lit Rectangle, Column Rectangle,
 - Inset Round, Glow Rectangle
- Lighting Options:
 - Soft White (2700K) for Perimeter, Glow, Edge Lit,
 - Inset, Column or Bright White (4000K) for Inset, Column

Features & Benefits

- Choose between soft, relaxing tones (2700K) that replicate indoor lighting or bright, invigorating tones (4000K), which simulate bright daylight
- Light direction and output eliminates dark shadows, provides bright, even task lighting and rich, saturated tone in your reflection
- Dimmable LED task lighting lets you select the ideal brightness for any task, using a standard dimmer that works with existing wiring. The mirror's LED task lighting provides continuously dimmable brightness to 1%
- Defogging technology ensures a clear reflection using a standard wall switch
- Energy efficient LEDs with an estimated life of 53,000 hours
- Flip Installation: the 48" x 36" mirror can be flipped to 36" x 48" to give two size options for a home. By purchasing this mirror option, you not only get the choice to pick the size that meets your needs, it gives you the freedom to change orientation later.
- Compatible with most Triac/Phase-cut dimmers; 0-10V for custom projects
- Constructed to operate in high humidity or damp spaces. ETL/UL Certified for damp locations to UL 962, CSA Standard C22.2, No. 12-82

For a Framed solution, see pages 190 – 193.



Vitality® Lighted Mirrors – Tips & Features

Tips & Features (Continued)

Title 24 Compliant Models

- LED mirror models (K) tested and certified to California Title 24 standards and meet JA8 2016 requirements
- The Title 24 certified LED mirror has up to 60% more lumen output than the standard model. This increases the overall brightness of warm white light that illuminates your space and reflection
- The mirror's LED task lighting exceeds Title 24 requirements (< 10% minimum dimming level) with continuously dimmable brightness to 1%
- Vacancy and dimmer recommendation: Maestro C•L Dimmer and Motion Sensor

Construction

- Durable rust-free anodized aluminum and glass construction – resists intense moisture, ensuring long-lasting beauty
- Anodized aluminum back frame
- Quality polished edge mirror
- Diffuser built into the product eliminating the need for plastic diffusers to be purchased separately
- Fully encased lighting construction eliminating exposed LEDs and electrical components
- Constructed for surface mounting
- Salt Spray Testing: ASTM Standard for 300 hours performed to test mirror quality against desilvering and degradation resulting from environmental exposure
- Secure placement: Independent lab testing of mirror and frame mounting to ensure that it meets the standard for safety

Installation

- Installation may require more than one person
- Includes installation hardware with easy installation via Plug and Hang System:
 - Install mirror by plugging into an outlet behind the mirror, eliminating the need to bring back an electrician to install or remove – making it a cinch for both new construction and renovations. Works in all North American outlets
 - Hang the mirror using a pinch cleat mounting system, which provides strength and simplicity to the installation process
- Requires 120 VAC 20 amp GFCI circuit protected wall outlet (configured as detailed in installation instructions)

Installation (Continued)

- Mirror functions (lighting, defogger) operated using standard residential dimmers and switches, available separately through electrical supply and home improvements centers
- Dimmer recommendation: C•L® Dimmers or Caseta Wireless from LUTRON®
- For on/off (no dimmer) operation, a standard wall switch may be substituted in place of the dimmer

Lighting Specs

Kelvin	2700K 4000K
CRI	90+
Lumens ¹	746 – 1488
Lux ^{1, 2}	275 – 690
R9 Value ¹	50+
Foot-candles ^{1, 2}	26 – 64

¹ Based on a measurement of a subset of sizes, shapes and lighting styles

² Measured at 18" from center of the mirror

Efficacy (LED Source)

Watts per Foot	3 – 6
Lumens per Foot	170 – 400
Lumens per Watt	68

Lighting Specs: Title 24 Vitality

Kelvin	2700K
CRI	90+
Lumens	3071
Lux ²	345
R9 Value	50+
Foot-candles ²	32

² Measured at 18" from center of the mirror

³ Based on 36" x 40" Perimeter Vitality Mirror that supports Title 24 Compliance

For a Framed solution, see pages 190 – 193.



Vitality® Lighted Mirror Worksheet

FEATURES

Select Dimension (W x H):

30" Diameter

40" Diameter

24" x 30"

24" x 40"

30" x 30"

30" x 40"

36" x 30"

36" x 40"

48" x 36"

Select Shape:

Round

Rectangle/Square

Select Light Pattern:

Perimeter

Edge Lit

Column

Inset

Glow

Select Mirror Style:

Polished Edge

Select Technology:

Defogger

Select Lighting Option:

Soft White (2700K)

Bright White (4000K)

Select Flippable Option:

Not Flippable

(leave blank with no space)

Flippable (48" x 36" only)

Select Title 24 Compliant:

Not Title 24 Compliant

(leave blank with no space)

Title 24 Compliant

MODEL YM

FP

D

0030

0040

2430

2440

3030

3040

3630

3640

4836

C

R

P

S*

C*

I

G*

FP

D

3

4**

—

P

—

K

Notes:

* Only available in rectangle models.

** Column and Inset only.

CUSTOMER INFORMATION

Name

Address

City/State/Zip

Telephone

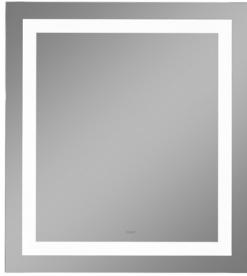
Date Ordered

Light Selection

Notes

MIRRORS

Vitality® Lighted Mirrors



Perfect light is now within reach. The Vitality Lighted Mirror Collection enhances your everyday routine with the highest quality of lighting in its class.

- Choose between two Kelvin ratings to create soft mood lighting or bright, energizing task lighting
- Dimmable lighting lets you select the ideal brightness for any task
- Defogging technology ensures a clear reflection
- Select models tested and certified to California Title 24 standards and meets JA8 2016 requirements



Two Week Lead Time



Defogger



Dimmable LED



Title 24 Compliant

Vitality Lighted Mirrors – Rectangle

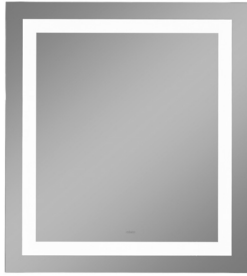
	Description	2700K	4000K	Price
Rectangle – Edge Lit				
	24" W x 30" H x 1-3/4" D	YM2430RSFPD3	N/A	\$ 699.
	24" W x 40" H x 1-3/4" D	YM2440RSFPD3	N/A	\$ 749.
	30" W x 40" H x 1-3/4" D	YM3040RSFPD3	N/A	\$ 879.
	36" W x 40" H x 1-3/4" D	YM3640RSFPD3	N/A	\$ 999.
	36" W x 48" H x 1-3/4" D or 48" W x 36" H x 1-3/4" D	FLIP YM4836RSFPD3P	N/A	\$ 1,279.
Rectangle – Glow Light				
	24" W x 30" H x 1-3/4" D	YM2430RGFPD3	N/A	\$ 699.
	24" W x 40" H x 1-3/4" D	YM2440RGFPD3	N/A	\$ 749.
	30" W x 40" H x 1-3/4" D	YM3040RGFPD3	N/A	\$ 879.
	36" W x 40" H x 1-3/4" D	YM3640RGFPD3	N/A	\$ 999.
	36" W x 48" H x 1-3/4" D or 48" W x 36" H x 1-3/4" D	FLIP YM4836RGFPD3P	N/A	\$ 1,279.



Note: Models in **bold** indicate Quick Ship product.

SEE PAGES 197 – 198 FOR TIPS & FEATURES.

Vitality[®] Lighted Mirrors



Perfect light is now within reach. The Vitality Lighted Mirror Collection enhances your everyday routine with the highest quality of lighting in its class.

- Choose between two Kelvin ratings to create soft mood lighting or bright, energizing task lighting
- Dimmable lighting lets you select the ideal brightness for any task
- Defogging technology ensures a clear reflection
- Select models tested and certified to California Title 24 standards and meets JA8 2016 requirements



Two Week Lead Time



Defogger



Dimmable LED



Title 24 Compliant

Vitality Lighted Mirrors – Rectangle (Continued)

Description		2700K	4000K	Price	
Rectangle – Column					
	24" W x 30" H x 1-3/4" D	YM2430RCFPD3	YM2430RCFPD4	\$ 599.	
	30" W x 30" H x 1-3/4" D	YM3030RCFPD3	YM3030RCFPD4	\$ 729.	
	36" W x 30" H x 1-3/4" D	YM3630RCFPD3	YM3630RCFPD4	\$ 829.	
	24" W x 40" H x 1-3/4" D	YM2440RCFPD3	YM2440RCFPD4	\$ 649.	
	30" W x 40" H x 1-3/4" D	YM3040RCFPD3	YM3040RCFPD4	\$ 779.	
	36" W x 40" H x 1-3/4" D	YM3640RCFPD3	YM3640RCFPD4	\$ 879.	
	36" W x 48" H x 1-3/4" D or 48" W x 36" H x 1-3/4" D	FLIP YM4836RCFPD3P	YM4836RCFPD4P	\$ 1,179.	
	Rectangle – Perimeter				
		24" W x 30" H x 1-3/4" D	YM2430RPFPD3	N/A	\$ 779.
Title 24 – 24" W x 30" H x 1-3/4" D		YM2430RPFPD3K	N/A	\$ 949.	
30" W x 30" H x 1-3/4" D		YM3030RPFPD3	N/A	\$ 879.	
36" W x 30" H x 1-3/4" D		YM3630RPFPD3	N/A	\$ 999.	
24" W x 40" H x 1-3/4" D		YM2440RPFPD3	N/A	\$ 829.	
Title 24 – 24" W x 40" H x 1-3/4" D		YM2440RPFPD3K	N/A	\$ 999.	
30" W x 40" H x 1-3/4" D		YM3040RPFPD3	N/A	\$ 979.	
Title 24 – 30" W x 40" H x 1-3/4" D		YM3040RPFPD3K	N/A	\$ 1,129.	
36" W x 40" H x 1-3/4" D		YM3640RPFPD3	N/A	\$ 1,079.	
Title 24 – 36" W x 40" H x 1-3/4" D	YM3640RPFPD3K	N/A	\$ 1,229.		
36" W x 48" H x 1-3/4" D or 48" W x 36" H x 1-3/4" D	FLIP YM4836RPFPD3P	N/A	\$ 1,429.		

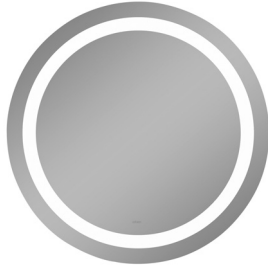
MIRRORS



Note: Models in **bold** indicate Quick Ship product.

SEE PAGES 197 – 198 FOR TIPS & FEATURES.

Vitality® Lighted Mirrors



Perfect light is now within reach. The Vitality Lighted Mirror Collection enhances your everyday routine with the highest quality of lighting in its class.

- Choose between two Kelvin ratings to create soft mood lighting or bright, energizing task lighting
- Dimmable lighting lets you select the ideal brightness for any task
- Defogging technology ensures a clear reflection
- Select models tested and certified to California Title 24 standards and meets JA8 2016 requirements



Two Week Lead Time



Defogger

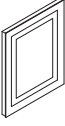

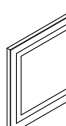
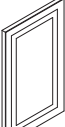
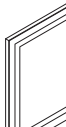
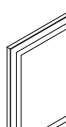
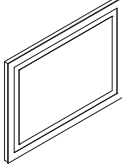


Dimmable LED







Title 24 Compliant

Vitality Lighted Mirrors – Rectangle (Continued)

Description	2700K	4000K	Price
Rectangle – Inset			
 24" W x 30" H x 1-3/4" D	YM2430RIFPD3	YM2430RIFPD4	\$ 829.
 30" W x 30" H x 1-3/4" D	YM3030RIFPD3	YM3030RIFPD4	\$ 929.
 36" W x 30" H x 1-3/4" D	YM3630RIFPD3	YM3630RIFPD4	\$ 1,079.
 24" W x 40" H x 1-3/4" D	YM2440RIFPD3	YM2440RIFPD4	\$ 879.
 30" W x 40" H x 1-3/4" D	YM3040RIFPD3	YM3040RIFPD4	\$ 999.
 36" W x 40" H x 1-3/4" D	YM3640RIFPD3	YM3640RIFPD4	\$ 1,129.
 36" W x 48" H x 1-3/4" D or 48" W x 36" H x 1-3/4" D	YM4836RIFPD3P	YM4836RIFPD4P	\$ 1,479.

FLIP

Vitality Lighted Mirrors – Round

Description	2700K	4000K	Price
Round – Perimeter			
 30" Diameter x 1-3/4" D	YM0030CPFPD3	N/A	\$ 879.
 40" Diameter x 1-3/4" D	YM0040CPFPD3	N/A	\$ 1,079.
Round – Inset			
 30" Diameter x 1-3/4" D	YM0030CIFPD3	YM0030CIFPD4	\$ 929.
 40" Diameter x 1-3/4" D	YM0040CIFPD3	YM0040CIFPD4	\$ 1,129.



Note: Models in **bold** indicate Quick Ship product.

SEE PAGES 197 – 198 FOR TIPS & FEATURES.

Main Line Framed Mirrors – Table of Contents, Tips & Features

Table of Contents

Main Line Framed Mirror Worksheet 204

Main Line Framed Mirrors 205

Mirror Ganging Reference 183

Tips & Features

Dimensions & Weight

- Dimensions (W x H):
 15-3/8" x 30-1/6" (391 mm x 764 mm)
 15-3/8" x 39-1/2" (391 mm x 1003 mm)
 19-3/8" x 30-1/6" (492 mm x 764 mm)
 19-3/8" x 39-1/2" (492 mm x 1003 mm)
 23-3/8" x 30-1/6" (594 mm x 764 mm)
 23-3/8" x 39-1/2" (594 mm x 1003 mm)
- Depth: 1-5/8" (44 mm)
- Net Weight: 19 – 37 lbs

Configurable Options

- Frame Styles:
 Bryn Mawr®, Merion®, Rosemont®
- Metal Frame Finishes:
 Chrome, Polished Nickel, Satin Nickel,
 Brushed Nickel, Brushed Bronze, Brushed Black

Features & Benefits

- Available in three uniquely designed frame options:
 Bryn Mawr, Merion, Rosemont
- Match fixtures in your styling space with six metal frame finishes for a coordinated look

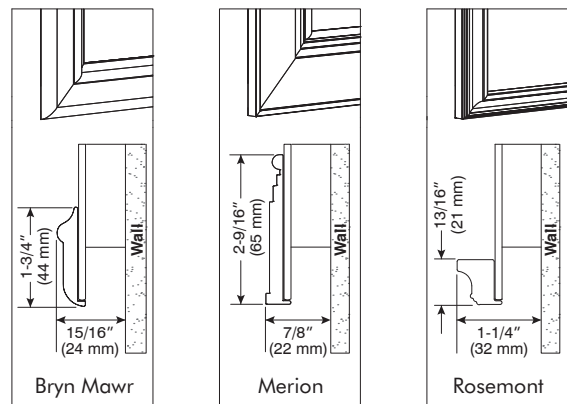
Construction

- Durable rust-free anodized aluminum and glass construction – resists intense moisture, ensuring long-lasting beauty
- Satin anodized aluminum back frame
- Frame width:
 1-3/4" for Bryn Mawr, 2-9/16" for Merion and 13/16" for Rosemont
- Constructed for surface mounting
- Salt Spray Testing: ASTM Standard for 300 hours performed to test mirror quality against desilvering and degradation resulting from environmental exposure
- Secure placement: Independent lab testing of mirror and frame mounting to ensure that it meets the standard for safety

Installation

- This installation may require more than one person
- Supplied with concealed mounting hardware
- Hang in portrait orientation

Frame Details & Dimensions



MIRRORS



Main Line Framed Mirror Worksheet

FEATURES

Select Dimension (W x H):

16" x 30"

16" x 40"

20" x 30"

20" x 40"

24" x 30"

24" x 40"

Select Mirror Style:

Bryn Mawr® Frame

Merion® Frame

Rosemont® Frame

Select Metal Finish Option:

Satin Nickel

Brushed Nickel

Brushed Black

Brushed Bronze

Chrome

Polished Nickel

MODEL

DM

1630

1640

2030

2040

2430

2440

BM

ME

RM

70

71

74

75

76

77

CUSTOMER INFORMATION

Name

Address

City/State/Zip

Telephone

Date Ordered

Light Selection

Notes

Main Line Framed Mirrors



Available in three distinct frame styles and six metal finishes, Main Line framed mirrors ensure that you're looking your best from all angles.

- Available in three uniquely designed frame options: Bryn Mawr®, Merion®, Rosemont®
- Wall mirrors can only be hung in portrait orientation



Two Week
Lead Time

MIRRORS

Main Line Framed Wall Mirrors

Description	Model	FINISHES			
		70, 71 Price	74, 75 Price	76, 77 Price	
Bryn Mawr Framed Wall Mirrors					
	15-1/8" W x 29-7/8" H	DM1630BM __	\$ 599.	\$ 729.	\$ 929.
	19-1/8" W x 29-7/8" H	DM2030BM __	\$ 729.	\$ 829.	\$ 1,049.
	23-1/8" W x 29-7/8" H	DM2430BM __	\$ 829.	\$ 929.	\$ 1,149.
	15-1/8" W x 39-7/8" H	DM1640BM __	\$ 829.	\$ 929.	\$ 1,149.
	19-1/8" W x 39-7/8" H	DM2040BM __	\$ 929.	\$ 1,049.	\$ 1,299.
	23-1/8" W x 39-7/8" H	DM2440BM __	\$ 1,049.	\$ 1,149.	\$ 1,399.
Merion Framed Wall Mirrors					
	15-1/8" W x 29-7/8" H	DM1630ME __	\$ 599.	\$ 729.	\$ 929.
	19-1/8" W x 29-7/8" H	DM2030ME __	\$ 729.	\$ 829.	\$ 1,049.
	23-1/8" W x 29-7/8" H	DM2430ME __	\$ 829.	\$ 929.	\$ 1,149.
	15-1/8" W x 39-7/8" H	DM1640ME __	\$ 829.	\$ 929.	\$ 1,149.
	19-1/8" W x 39-7/8" H	DM2040ME __	\$ 929.	\$ 1,049.	\$ 1,299.
	23-1/8" W x 39-7/8" H	DM2440ME __	\$ 1,049.	\$ 1,149.	\$ 1,399.
Rosemont Framed Wall Mirrors					
	15-1/8" W x 29-7/8" H	DM1630RM __	\$ 599.	\$ 729.	\$ 929.
	19-1/8" W x 29-7/8" H	DM2030RM __	\$ 729.	\$ 829.	\$ 1,049.
	23-1/8" W x 29-7/8" H	DM2430RM __	\$ 829.	\$ 929.	\$ 1,149.
	15-1/8" W x 39-7/8" H	DM1640RM __	\$ 829.	\$ 929.	\$ 1,149.
	19-1/8" W x 39-7/8" H	DM2040RM __	\$ 929.	\$ 1,049.	\$ 1,299.
	23-1/8" W x 39-7/8" H	DM2440RM __	\$ 1,049.	\$ 1,149.	\$ 1,399.

Frame Finish Options

Fill in __ designator to Model listed above with desired finish. Example: DC1640BM74.

- 70 Satin Nickel
- 71 Brushed Nickel
- 74 Brushed Black
- 75 Brushed Bronze
- 76 Chrome
- 77 Polished Nickel

SEE PAGE 203 FOR TIPS & FEATURES.



VANITIES

Profiles® Freestanding	213
Profiles with Antique Mirror	218
Profiles	224

Cartesian® Freestanding	242
Cartesian	248
Curated Cartesian	268
Vanity Tops	278



213 Profiles® Freestanding **NEW!**



218 Profiles with Antique Mirror



224 Profiles

PRICING CONTINUUM

Robern offers a range of vanities and tops in varying price points to help you personalize your space.

Prices noted below are opening price points for a full vanity solution, based on the smallest size that is not a 12".



BUILD YOUR OWN

Vanity Tops
\$929



BUILD YOUR OWN

Cartesian®
\$1,078



BUILD YOUR OWN

Profiles
\$1,328

Vanities



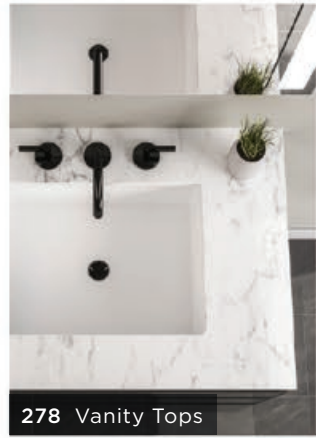
242 Cartesian® Freestanding **NEW!**



248 Cartesian



268 Curated Cartesian



278 Vanity Tops

VANITY TOP INCLUDED



PRECONFIGURED

Curated Cartesian
\$3,229



NEW!

PRECONFIGURED

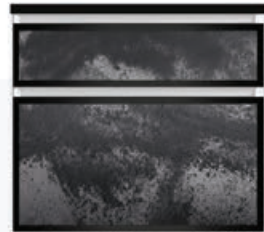
Cartesian Freestanding
\$3,629



NEW!

PRECONFIGURED

Profiles® Freestanding
\$4,149



PRECONFIGURED

Profiles with Antique Mirror Glass
\$8,657

PRODUCT COMPARISON GUIDE / VANITIES

	PROFILES® FREESTANDING	PROFILES WITH ANTIQUE MIRROR	PROFILES	CARTESIAN® FREESTANDING	CARTESIAN	CURATED CARTESIAN
FEATURES						
Modular (Build Your Own)			•		•	
Curated (Preconfigured)	•	•		•		•
Night Light	•	•	•	•	•	•
Glass Bins	•	•	•	•	•	•
Organization Kit	•	•	•	•	•	•
CONFIGURABLE ATTRIBUTES						
Tip Out Drawer		•	•		•	•
False Front	•		•	•	•	
Plumbing Drawer	•	•	•	•	•	•
Full Drawer			•		•	•
Slow-Close Drawer	•	•	•	•	•	•
Selectable Night Light, 2700K/4000K	•	•	•	•	•	•
DECORATIVE COLORS						
Mirror			•		•	
Tinted Gray Mirror	•		•	•	•	•
White	•		•	•	•	•
Black			•		•	
Matte White	•		•	•	•	
Matte Gray	•		•	•	•	•
Matte Black			•		•	
Beach			•		•	
Reeded White				•	•	
Reeded Brass					•	
Satin Bronze			•		•	
Satin White			•		•	
Ocean			•		•	
Smoke Screen					•	
Silver Screen					•	
Arcobaleno Antique Mirror		•				
Luna Antique Mirror		•				

	PROFILES® FREESTANDING	PROFILES WITH ANTIQUE MIRROR	PROFILES	CARTESIAN® FREESTANDING	CARTESIAN	CURATED CARTESIAN
METAL FINISHES						
Chrome	●		●			
Polished Nickel			●			
Matte Gold		●	●			
Matte Black		●	●			
VANITY TOP COLORS (ADD-ON PRODUCT EXCEPT FOR CURATED CARTESIAN)						
White Glass	●	●	●	●	●	
Quartz White	●	●	●	●	●	●
White Zeus Extreme	●	●	●	●	●	
Lyra	●	●	●	●	●	●
Stone Gray	●	●	●	●	●	●
Lava Black	●	●	●	●	●	
CERTIFICATIONS & CODE COMPLIANCE						
UL/ETL - Night Light	●	●	●	●	●	●
ADD-ON ACCESSORIES						
Electric Accessory	●	●	●	●	●	●
Night Light	●	●	●	●	●	●
Hair Styling Organizer	●	●	●	●	●	●
Glass Bins	●	●	●	●	●	●
Drawer Inserts	●	●	●	●	●	●
Leg Kits			●			●
Ganging Kit			●		●	
Side Kits			●		●	
Alcove Kits			●		●	
Glass or Engineered Stone Tops with Sink	●	●	●	●	●	●

WHAT'S NEW / FREESTANDING VANITIES



MODERN FLAIR MEETS TRADITIONAL STYLING

Combining elegance with easy installation, the Freestanding Vanity is available in multiple sizes and glass options that pair perfectly with the Polished Stainless Steel leg finish. Choose from Profiles® Freestanding Vanity with a Chrome frame finish or Cartesian® Freestanding Vanity (shown).

Profiles® Freestanding Vanities – Table of Contents, Tips & Features

NEW!

Table of Contents

Profiles Freestanding Vanity Tips & Features	213 – 214
Profiles Freestanding Vanity Model Number Worksheet	215
Profiles Freestanding Vanities	216 – 217
24" Wide Profiles Freestanding Vanity	216
30" Wide Profiles Freestanding Vanity	216
36" Wide Profiles Freestanding Vanity	216
Accessories & Options	217
Vanity Tops	279 – 286
Profiles Vanity Undermount Bowl Space Availability	287
Vanity Accessories	300 – 303

Tips & Features

Dimensions & Weight

- Dimensions (W x H):*
24" x 34-1/2" (610 mm x 876 mm)
30" x 34-1/2" (762 mm x 876 mm)
36" x 34-1/2" (914 mm x 876 mm)
*Total vanity height: 34-1/2", drawer height = 22-1/2"
- Depth:
21-3/4" (552 mm)
- Net Weight: 80 – 98 lbs

Configurable Options

- Color Options:
Matte White vanity glass and Chrome frame finish,
White vanity glass and Chrome frame finish,
Matte Gray vanity glass and Chrome frame finish,
Tinted Gray Mirror vanity glass and Chrome frame finish
- Night Light:
No Night Light or Integrated LED Night Light in
selectable 2700 Kelvin/4000 Kelvin for top drawer

Features & Benefits

- Offered in three preconfigured sizes and four color options make product selection easy
- Match fixtures in your styling space with Chrome and Polished Nickel finishes for a coordinated look
- The tapered legs of the freestanding vanity are minimalist and understated, crafted with a mid-century modern appeal in polished stainless steel for versatility in design and coordination

Features & Benefits (Continued)

- The Polished Stainless Steel legs are durable and rust resistant with a smooth surface that is easy to clean
- The Polished Stainless Steel legs were designed to accommodate baseboard molding up to 3/4" thick
- The raised legs allow for ease of cleaning under the vanity
- Create a coordinated ensemble by pairing with Profiles Medicine Cabinets, Profiles Lighting and Profiles Mirrors in Chrome
- False front drawer for H1 (7-1/2" H) maintains the vanity's design where a sink does not allow room for a drawer; plumbing slow-close drawer for H2 (15" H) allows clearance for the drain
- Uniquely designed handleless ergonomic drawer, allows for a comfortable feel and effortless operation
- Organization kit for H2 (15" H): two fully adjustable glass drawer dividers provide storage right where you need it and prevent items from moving and sliding in the drawer
- Night light option – integrated LED night light with light bar built into top frame of each drawer, provides soft light to illuminate drawer interior and for wayfinding light in selectable 2700 Kelvin/4000 Kelvin. Night light is ETL certified to UL 2108, CSA Standard C22.2 No. 12
- Electric accessory option: three plugs and a switch that turns off power to the unit to keep appliances safely plugged in

Vanities & Tops



Profiles® Freestanding Vanities – Tips & Features

Tips & Features (Continued)

Construction

- Durable rust-free anodized aluminum and glass construction – resists intense moisture, ensuring long-lasting beauty
- Slow-close full-extension slides combined with the durability of aluminum construction ensure smooth operation of the vanity drawers that will last a lifetime
- Glass fronts and side kits are replaceable
- Industrial grade installation hardware
- White shatter-protected glass drawer bottoms will not degrade or show wear. Glass dissipates heat to ensure confidence that hot items will not leave heat marks on the bottom of the drawers

Installation

- This installation may require more than one person
- Includes installation hardware and structural mounting hardware
- Special site preparation is required. Wall bracing and Robern supplied hardware are recommended
- The plumbing must be roughed into the plumbing cutout area of the vanity. Refer to the sink rough-in and the vanity rough-in for proper placement. The water supply and drain lines must be installed before installing the vanity
- Components needed for stacking are included with each vanity
- Each design offers the necessary 15" plumbing clearance needed to clear the pipes
- Night light (S) – 12VDC plug-in transformer. Option of two color temperatures for one night light: 2700 or 4000 Kelvin. The vanity is preconfigured at 2700K. Night light can be reconfigured to 4000K at time of installation, see installation instructions for more information
- Electric Accessory option: 120VAC 20A outlet – GFCI protected. Installed within 15" H (H2) vanity drawer; not recommended to be used in combination with Slim Drawer Insert; recommended in combination with Hair Styling Organizer
- Slim plumbing drawer insert must be used with an above-counter sink installation – includes four glass bins and only available for 15" H (H2) vanities
- Hair Styling Organizer fits all 15" H (H2) plumbing vanity drawers; cannot be used in combination with slim plumbing drawer insert; recommended in combination with Electric Accessory

Accessories

- In-drawer Electric accessory (VAELECTRIC21): ETL certified to UL 1363, CSA Standard C22.2 No. 21 – to be used in 15" H (H2) vanity drawers only
- Accessory Night Light in selectable 2700 Kelvin/4000 Kelvin (SLEDS24, SLEDS30, SLEDS36): Night light is ETL certified to UL 2108, CSA Standard C22.2 No. 12
- Hair Styling Organizer (VAHAIRORG): fits most hair dryers and curling irons – to be used in 15" H (H2) vanity drawers only
- Slim Plumbing Drawer insert with four glass bins (VADRAWER30P) – to be used in 15" H (H2) vanity drawers only
- Glass Bins: divided storage (GLASSBIN6.38), small (GLASSBIN3.25), medium (GLASSBIN5.25), large (GLASSBIN8.5)
- Glass top with integrated bowl or engineered stone tops with vitreous china sink
- Alcove finishing kits are required for corner or alcove installations and is available in 22-1/2" (H3) height



Profiles® Freestanding Vanity Model Number Worksheet

FEATURES

Select Dimension (W x H):*

24" x 22-1/2" (drawer height)

30" x 22-1/2" (drawer height)

36" x 22-1/2" (drawer height)

Select Depth:

21"

Select Drawer Application:

H1 Fixed Front, H2 Plumbing Drawer,

H3 Side Kit Pair + Polished Stainless Steel Leg

Select Glass Color:

Essentials Palette

Tinted Gray Mirror

White

Classic Palette

Matte White

Matte Gray

Select Night Light Option:

No Night Light

Selectable Night Light

(2700K/4000K)

Select Metal Frame Finish Option:

Chrome

MODEL	VP	D21	A				76
24H3							
30H3							
36H3							
D21							
A							
11							
21							
26							
27							
N							
S							
76							

Note:

* Total vanity height: 34-1/2"; vanity top sold separately.

CUSTOMER INFORMATION

Name

Address

City/State/Zip

Telephone

Date Ordered

Profiles® Freestanding Vanity

NEW!



Add dimension and a modern flair to your styling space with Profiles Freestanding Vanities. These preconfigured vanities bring the style of furniture into a space with tapered legs and metal finishes to coordinate with fixtures, creating a look that is elegant and tailored.

- Three preconfigured sizes and four color options
- Vanity sits on raised tapered legs
- Match fixtures with Polished Stainless Steel legs and a Chrome frame finish



Four Week Lead Time

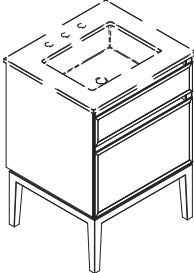
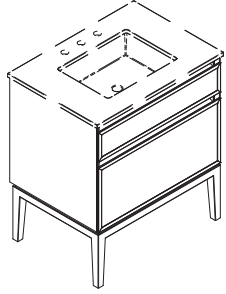
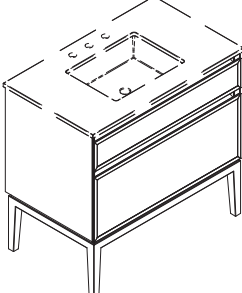


Electrical Outlet



Night Light

21-3/4" D Freestanding Vanity

Description	Models	Essentials Palette Price	Classic Palette Price
24" W x 34-1/2" H Vanity – False Front Top Drawer, Plumbing Bottom Drawer, Polished Stainless Steel Legs			
 Base Unit	VP24H3D21A __ N76	\$ 4,149.	\$ 4,979.
With 2700K/4000K Night Light	VP24H3D21A __ S76	\$ 4,499.	\$ 5,329.
30" W x 34-1/2" H Vanity – False Front Top Drawer, Plumbing Bottom Drawer, Polished Stainless Steel Legs			
 Base Unit	VP30H3D21A __ N76	\$ 5,079.	\$ 5,899.
With 2700K/4000K Night Light	VP30H3D21A __ S76	\$ 5,479.	\$ 6,299.
36" W x 34-1/2" H Vanity – False Front Top Drawer, Plumbing Bottom Drawer, Polished Stainless Steel Legs			
 Base Unit	VP36H3D21A __ N76	\$ 5,999.	\$ 6,829.
With 2700K/4000K Night Light	VP36H3D21A __ S76	\$ 6,449.	\$ 7,279.

Vanity top and sink sold separately.

Fill in __ designator to Model listed above with desired color listed on the following page.
Example: VP30H3D21A26S76.

See Vanity Color Options, Vanity Tops, Accessories & Options on the following page.

Profiles® Freestanding Vanity

Vanity Glass Colors/Frame Finish

Fill in __ designator to Model listed at left with desired color. Example: VP30H3D21A26S76.

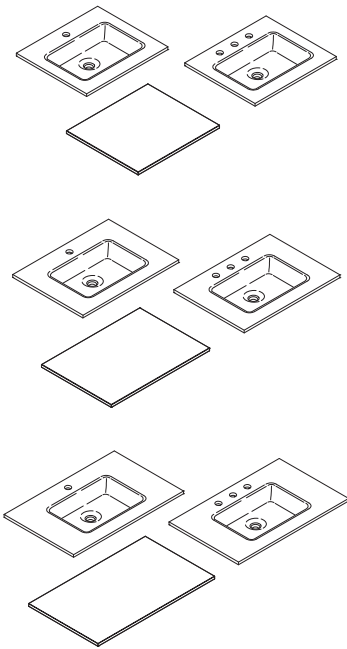
Essentials Palette

- 11 Tinted Gray Mirror with Chrome Frame Finish
- 21 White with Chrome Frame Finish

Classic Palette

- 26 Matte White with Chrome Frame Finish
- 27 Matte Gray with Chrome Frame Finish

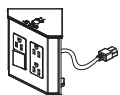
22" D Vanity Tops – For 21" D Vanities



Description	See Page
For 24" W Vanities	
TS25UCN __ Glass Vanity Top	279
TF25UCO __ Engineered Stone Vanity Top	279
TF25G __ Engineered Stone Vanity Top (No Sink)	279
For 30" W Vanities	
TS31UCN __ Glass Vanity Top	280
TF31UCO __ Engineered Stone Vanity Top	280
TF31G __ Engineered Stone Vanity Top (No Sink)	280
For 36" W Vanities	
TF37UCO __ Engineered Stone Vanity Top	281
TF37G __ Engineered Stone Vanity Top (No Sink)	281

Undercounter Sink available for Custom Countertop – see page 286

Add-On Accessories & Options



Description

Electric Accessory

For use in plumbing bottom drawer

Model

VAELECTRIC21

Price

\$ 499.

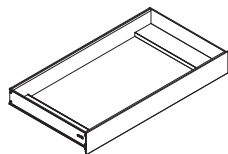


Hair Styling Organizer

For use in plumbing bottom drawer

VAHAIRORG

\$ 249.



Slim Drawer Insert

For use in 24" W vanity – plumbing bottom drawer

VADRAWER24P

\$ 679.

For use in 30" W vanity – plumbing bottom drawer

VADRAWER30P

\$ 779.

For use in 36" W vanity – plumbing bottom drawer

VADRAWER36P

\$ 849.

See additional Accessories on pages 301 – 303.

SEE PAGES 213 – 214 FOR TIPS & FEATURES.

Table of Contents

Profiles Vanity with Antique Mirror Glass Tips & Features	218 – 219
Profiles Vanity with Antique Mirror Glass Model Number Worksheet	220
Profiles Vanities with Antique Mirror Glass	222 – 223
Vanity Tops	279 – 286
Profiles Vanity Undermount Bowl Space Availability	287
Vanity Accessories	300 – 303

Tips & Features

Dimensions & Weight

- Dimensions (W x H):
30" x 22-1/2" (762 mm x 572 mm)
60" x 22-1/2" (1524 mm x 572 mm)
- Depth: 21-3/4" (552 mm)
- Net Weight: 72 – 127 lbs

Configurable Options

- Vanity Styles:
Powder Room (30" W)
Master Bath (60" W)
- Decorative Options:
Arcobaleno with a Matte Gold frame finish
Luna with a Matte Black frame finish

Features & Benefits

- Exclusive offering available:
Antique Mirror options in Arcobaleno with a Matte Gold frame finish and Luna with a Matte Black frame finish
- Arcobaleno and Luna patterns are unique and unrepeatable which means no two pieces are alike due to the handcrafted quality of this product
- Match fixtures in your styling space with Matte Gold and Matte Black metal frame finishes for a coordinated look
- Create a coordinated ensemble by pairing with Profiles Medicine Cabinets, Profiles Lighting and Profiles Mirrors
- Tip out drawer for H1 (7-1/2" H) gives storage back by providing a drawer for smaller items and slow-close plumbing drawer for H2 (15" H) allows for maximum storage

Features & Benefits (Continued)

- Uniquely designed handleless ergonomic drawer, allows for a comfortable feel and effortless operation
- Organization kit for H2 (15" H): two fully adjustable glass drawer dividers provide storage right where you need it and prevent items from moving and sliding in the drawer
- Night light – integrated LED night light with light bar built into top frame of each drawer, provides soft light to illuminate drawer interior and for wayfinding light in selectable 2700 Kelvin/4000 Kelvin. Night light is ETL certified to UL 2108, CSA Standard C22.2 No. 12
- Electric accessory option: three plugs and a switch that turns off power to the unit to keep appliances safely plugged in

Construction

- Durable rust-free anodized aluminum and glass construction – resists intense moisture, ensuring long-lasting beauty
- Slow-close full-extension slides combined with the durability of aluminum construction ensure smooth operation of the vanity drawers that will last a lifetime
- Constructed for wall hanging loads with stone tops
- Glass fronts and side kits are replaceable
- Industrial grade installation hardware
- White shatter-protected glass drawer bottoms will not degrade or show wear. Glass dissipates heat to ensure confidence that hot items will not leave heat marks on the bottom of the drawers



Profiles® Vanities with Antique Mirror Glass – Tips & Features

Tips & Features (Continued)

Installation

- This installation may require more than one person
- Includes installation hardware and structural bolts
- Special site preparation is required. Wall bracing and Robern supplied hardware are recommended
- The plumbing must be roughed into the plumbing cutout area of the vanity. Refer to the sink rough-in and the vanity rough-in for proper placement. The water supply and drain lines must be installed before installing the vanity.
- Components needed for stacking are included with each vanity; ganging kit sold separately for the 60" configuration
- Side kits are sold separately to allow for customization and are available as pairs
- Each design offers the necessary 15" plumbing clearance needed to clear the pipes
- Night light (S) – 12VDC plug-in transformer. Option of two color temperatures for one night light: 2700 or 4000 Kelvin. The vanity is preconfigured at 2700K. Night light can be reconfigured to 4000K at time of installation, see installation instructions for more information
- Electric Accessory option: 120VAC 20A tamper resistant outlet. Installed within 15" H (H2) vanity drawer; not recommended to be used in combination with Slim Drawer Insert; recommended in combination with Hair Styling Organizer
- Slim plumbing drawer insert must be used with a sink installation – includes four glass bins and only available for 15" H (H2) vanities
- Hair Styling Organizer fits 15" H (H2) plumbing vanity drawers; cannot be used in combination with slim plumbing drawer insert; recommended in combination with Electric Accessory

Accessories

- In-drawer Electric Accessory (VAELECTRIC21): ETL certified to UL 1363, CSA Standard C22.2 No. 21; to be used in 15" H (H2) vanity drawers only
- Hair Styling Organizer (VAHAIRORG): fits most hair dryers and curling irons – to be used in 15" H (H2) vanity drawers only
- Slim Plumbing Drawer insert with four glass bins (VADRAWER30P) – to be used in 15" H (H2) vanity drawers only
- Glass Bins: divided storage (GLASSBIN6.38), small (GLASSBIN3.25), medium (GLASSBIN5.25), large (GLASSBIN8.5)
- Glass (30" W only) and engineered stone tops with porcelain sink
- Glass side kits sold separately as a pair. Available in 22-1/2" (H3) height and 21" depth
- Ganging kits are required for the 60" W configuration. One 22-1/2" (H3) ganging kit is needed to gang the vanity drawers together
- Alcove finishing kits are required for corner or alcove installations and is available in 22-1/2" (H3) height



Profiles® Vanity with Antique Mirror Glass Model Number Worksheet

FEATURES

Select Dimension (W):*

30"

60"

Select Color Option:

Arcobaleno Antique Mirror Vanity,

Matte Gold Metal Frame

Luna Antique Mirror Vanity,

Matte Black Metal Frame

Select Night Light Option:

Selectable Night Light (2700K/4000K)

Select Included Option:

Vanity and Side Kits Only (no vanity top)

Select Configuration:

Powder Bathroom

(H1 Tip Out, H2 Plumbing Drawer, H3 Side Kit Pair)

Master Bathroom

(H1 Tip Out x 2, H2 Plumbing Drawer x 2, H3 Side Kit Pair)

MODEL

S

A

30

60

588200

598300

S

A

00004

00005

Note:

* Total vanity height: 22-1/2"; vanity top sold separately.

CUSTOMER INFORMATION

Name _____

Address _____

City/State/Zip _____

Telephone _____

Date Ordered _____

Profiles® Vanity with Antique Mirror Glass



The stunning and versatile Profiles Collection features two dramatic Italian glass options: antique mirror in Arcobaleno and Luna.

- Antique Mirror options in Arcobaleno with a Matte Gold frame finish and Luna with a Matte Black frame finish
- Arcobaleno and Luna patterns are unique and unrepeatable which means no two pieces are alike due to the handcrafted quality of this product



Two Week Lead Time



Modular

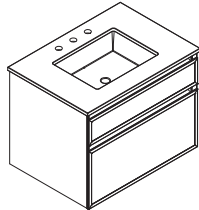


Electrical Outlet



Night Light

Powder Room – 30" W x 22-1/2" H x 22-3/4" D



Description

Model

Price Each

Arcobaleno Antique Mirror – Consists of:

Profiles Framed Vanity, 30" W x 7-1/2" H x 21" D, Matte Gold Frame, Tip Out Drawer, Selectable Night Light: 2700K/4000K Temperature (VP30H1D21T58S82, Quantity = 1)

30588200SA00004

\$ 8,657.

Profiles Framed Vanity, 30" W x 15" H x 21" D, Matte Gold Frame, Plumbing Drawer, Selectable Night Light: 2700K/4000K Temperature (VP30H2D21P58S82, Quantity = 1)

Profiles Pair of Side Kits, 7/8" W x 22-1/2" H x 21" D (VM2SKH3D21-58, Quantity = 1)

Luna Antique Mirror – Consists of:

Profiles Framed Vanity, 30" W x 7-1/2" H x 21" D, Matte Black Frame, Tip Out Drawer, Selectable Night Light: 2700K/4000K Temperature (VP30H1D21T59S83, Quantity = 1)

30598300SA00004

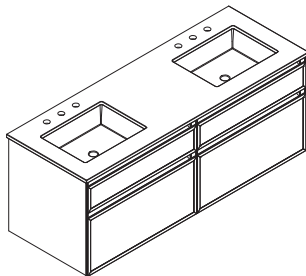
\$ 8,657.

Profiles Framed Vanity, 30" W x 15" H x 21" D, Matte Black Frame, Plumbing Drawer, Selectable Night Light: 2700K/4000K Temperature (VP30H2D21P59S83, Quantity = 1)

Profiles Pair of Side Kits, 7/8" W x 22-1/2" H x 21" D (VM2SKH3D21-59, Quantity = 1)

Vanity top and sink sold separately.

Master Bath – 60" W x 22-1/2" H x 22-3/4" D



Description

Model

Price Each

Arcobaleno Antique Mirror – Consists of:

Profiles Framed Vanity, 30" W x 7-1/2" H x 21" D, Matte Gold Frame, Tip Out Drawer, Selectable Night Light: 2700K/4000K Temperature (VP30H1D21T58S82, Quantity = 2)

60588200SA00005

\$ 16,264.

Profiles Framed Vanity, 30" W x 15" H x 21" D, Matte Gold Frame, Plumbing Drawer, Selectable Night Light: 2700K/4000K Temperature (VP30H2D21P58S82, Quantity = 2)

Profiles Pair of Side Kits, 7/8" W x 22-1/2" H x 21" D (VM2SKH3D21-58, Quantity = 1)

Profiles 22-1/2" H Ganging Kit (VMGKITH3, Quantity = 1)

Luna Antique Mirror – Consists of:

Profiles Framed Vanity, 30" W x 7-1/2" H x 21" D, Matte Black Frame, Tip Out Drawer, Selectable Night Light: 2700K/4000K Temperature (VP30H1D21T59S83, Quantity = 2)

60598300SA00005

\$ 16,264.

Profiles Framed Vanity, 30" W x 15" H x 21" D, Matte Black Frame, Plumbing Drawer, Selectable Night Light: 2700K/4000K Temperature (VP30H2D21P59S83, Quantity = 2)

Profiles Pair of Side Kits, 7/8" W x 22-1/2" H x 21" D (VM2SKH3D21-59, Quantity = 1)

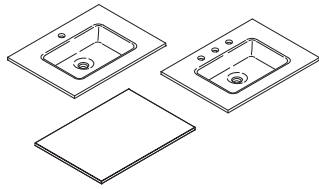
Profiles 22-1/2" H Ganging Kit (VMGKITH3, Quantity = 1)

Vanity top and sink sold separately.

See Vanity Tops, Accessories & Options on the following page.

Profiles® Vanity with Antique Mirror Glass

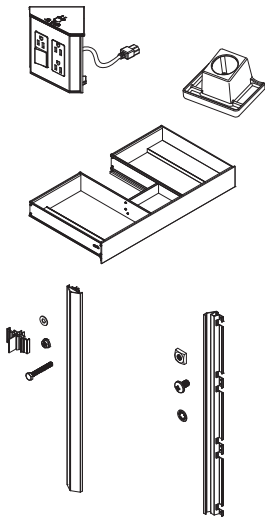
31" W x 22" D Vanity Tops – For 21" D Vanities



Description	For Use With Vanity	See Page
TS31UCN __ Glass Vanity Top	Plumbing & Tip Out Drawer	280
TF31UCO __ Engineered Stone Vanity Top	Plumbing & Tip Out Drawer	280
TF31G __ Engineered Stone Vanity Top (No Sink)	30" W Vanities	280
TF61G __ Engineered Stone Vanity Top (No Sink)	60" W Vanities	284

Undercounter Sink available for Custom Countertop – see page 286.

Add-On Accessories & Options



Description	Model	Price
Electric Accessory For use in 15" H plumbing drawer (H2)	VAELECTRIC21	\$ 499.
Hair Styling Organizer For use in 15" H plumbing drawer (H2)	VAHAIRORG	\$ 249.
Slim Drawer Insert For use in 15" H vanity plumbing drawer (H2)	VADRAWER30P	\$ 779.
Vanity Ganging Kit – Hardware required when combining two or more vanities (each connection point) 22-1/2" H	VMGKITH3	\$ 229.
Vanity Alcove Finishing Kit – Hardware required for corner or alcove installations 22-1/2" H	VMAKITH3	\$ 229.

See additional Accessories on pages 301 – 303.

SEE PAGES 218 – 219 FOR TIPS & FEATURES.

Profiles® Vanities – Table of Contents, Tips & Features

Table of Contents

Profiles Vanity Tips & Features	224 – 225
Profiles Ganging Reference	226
Profiles Vanity Model Number Worksheet	227
Profiles Vanities	228 – 241
12" Wide Profiles Vanity	228 – 229
24" Wide Profiles Vanity	230 – 233
30" Wide Profiles Vanity	234 – 237
36" Wide Profiles Vanity	238 – 241
Vanity Tops	279 – 286
Profiles Vanity Undermount Bowl Space Availability	287
Vanity Accessories	300 – 303

Tips & Features

Dimensions & Weight

- Dimensions (W x H): *
 - 12-1/8" x 7-1/2" (308 mm x 191 mm)
 - 12-1/8" x 15" (308 mm x 381 mm)
 - 24-1/8" x 7-1/2" (613 mm x 191 mm)
 - 24-1/8" x 15" (613 mm x 381 mm)
 - 30-1/8" x 7-1/2" (765 mm x 191 mm)
 - 30-1/8" x 15" (765 mm x 381 mm)
 - 36-1/8" x 7-1/2" (918 mm x 191 mm)
 - 36-1/8" x 15" (918 mm x 381 mm)
- *Width is with side kits installed
- Depth:
 - 18-3/4" (476 mm)
 - 21-3/4" (552 mm)
- Net Weight: 17 – 55 lbs

Configurable Options

- Metal Frame Finishes:
 - Chrome, Polished Nickel, Matte Gold, Matte Black
- Glass Finish Options:
 - Mirror, 10 Decorative Gloss and Matte Colors
- Night Light:
 - No Night Light or Integrated LED Night Light in selectable 2700 Kelvin/4000 Kelvin
- Drawer Application:
 - Choice of split plumbing (not available for 12" W drawer), full drawer or tip out drawer (7-1/2" H only, not available for 12" W drawer)
- No Drawer, False Front: 7-1/2" H only, **NEW!** not available for 12" W drawer

Features & Benefits

- Match or coordinate fixtures in your styling space with four popular metal frame finishes:
 - Chrome, Polished Nickel, Matte Gold, Matte Black
- Modular vanities can be ganged or stacked to fit a variety of desired heights and widths (ganging kit required)
- Create a coordinated ensemble by pairing with Profiles Medicine Cabinets, Profiles Lighting and Profiles Mirrors
- Plumbing drawer to allow clearance for drain (not available for 12" W drawer); false fronts (7-1/2" height – H1 only, not available for 12" W drawer) maintain the vanity's design when a sink does not allow room for a drawer; tip out drawer (7-1/2" height – H1 only, not available for 12" W drawer) gives storage back by providing a drawer for smaller items and full drawer allows optimal storage solutions; full drawers are not designed to accept a sink or plumbing. Drawers are intended for ganging and stacking
- Uniquely designed handleless ergonomic drawer, allows for a comfortable feel and effortless operation
- H1 (7-1/2" H) vanities include five glass bins for plumbing drawers and four glass bins for full drawers; H2 (15" H) vanities include one glass bin with plumbing drawers; not available for 12" W vanities
- Organization kit for H2 (15" H): two fully adjustable glass drawer dividers provide storage right where you need it and prevent items from moving and sliding in the drawer
- Night Light Option – integrated LED night light with light bar built into top frame of each drawer, provides soft light to illuminate drawer interior and for wayfinding light in selectable 2700 Kelvin/4000 Kelvin. Night light is ETL certified to UL 2108, CSA Standard C22.2 No. 12
- Electric accessory option: three plugs and a switch that turns off power to the unit to keep appliances safely plugged in



Profiles® Vanities – Tips & Features

Tips & Features (Continued)

Construction

- Durable rust-free anodized aluminum and glass construction – resists intense moisture, ensuring long-lasting beauty
- Slow-close full-extension slides combined with the durability of aluminum construction ensure smooth operation of the vanity drawers that will last a lifetime
- Constructed for wall hanging loads with stone tops
- Glass fronts and side kits are replaceable
- Industrial grade installation hardware
- White shatter-protected glass drawer bottoms will not degrade or show wear. Glass dissipates heat to ensure confidence that hot items will not leave heat marks on the bottom of the drawers

Installation

- This installation may require more than one person
- Includes installation hardware and structural bolts
- Special site preparation is required. Wall bracing and Robern supplied hardware are recommended
- The plumbing must be roughed into the plumbing cutout area of the vanity. Refer to the sink rough-in and the vanity rough-in for proper placement. The water supply and drain lines must be installed before installing the vanity.
- Components needed for stacking are included with each vanity
- Within a column, all vanities must stay the same width. Ganging kit required for each column connection point and is selected based on the connection height of the cabinets. Each ganging kit is by 7-1/2" H increments (H1 = 7-1/2", H2 = 15", H3 = 22-1/2", H4 = 30").
- Side kits are sold separately to allow for customization and are available individually or as pairs. You must choose one side kit or alcove kit for every exposed side.
- With a 7-1/2" H vanity, a tip out drawer must be used with an undercounter sink
- If stacking with a 7-1/2" H tip out drawer, the second vanity must be a 7-1/2" H plumbing drawer, a 15" H plumbing drawer or a 15" full drawer as the first 15" H needs plumbing clearance. If using 7-1/2" H tip out for undercounter sink installation, slim plumbing drawer insert can be used with a 15" H plumbing drawer and still clear pipes.
- Night light option (S) – 12VDC plug-in transformer. Option of two color temperatures for one night light: 2700 or 4000 Kelvin. The vanity is preconfigured at 2700K. Night light can be reconfigured to 4000K at time of installation, See installation instructions for more information.

Installation (Continued)

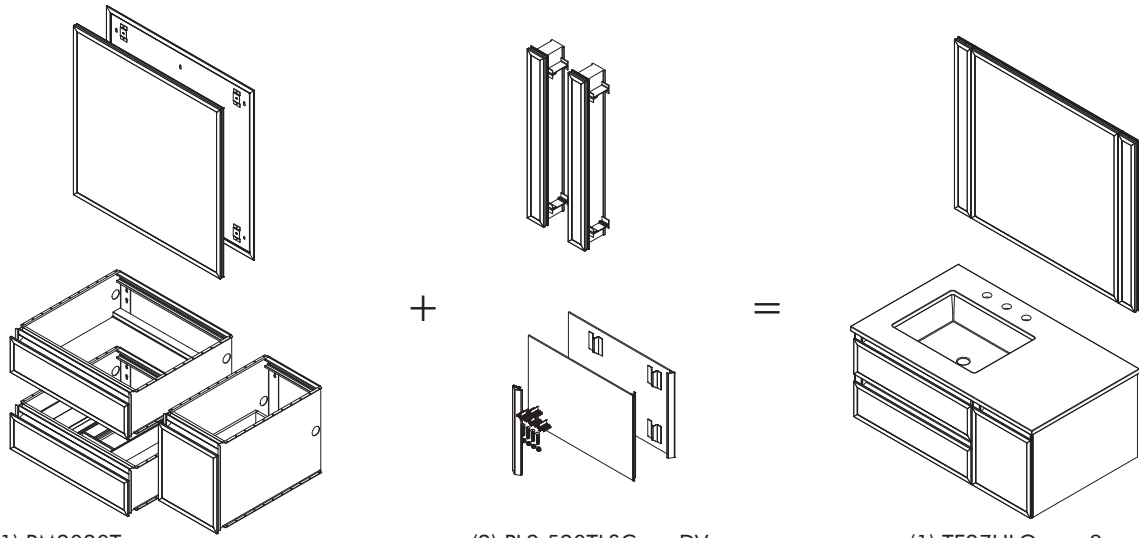
- Electric Accessory option: 120VAC 20A tamper resistant outlet. Installed within 15" H (H2) vanity drawer; not recommended to be used in combination with Slim Drawer Insert; recommended in combination with Hair Styling Organizer
- Slim plumbing drawer insert must be used with an above-counter sink installation; full drawer version can be used in a full drawer – includes four glass bins and only available for 15" H (H2) vanities (not available for 12" W vanities)
- Hair Styling Organizer fits all 15" H (H2) vanity drawers except 24" plumbing drawer; cannot be used in combination with slim drawer insert; recommended in combination with Electric Accessory

Accessories

- In-drawer Electric Accessory (VAELECTRIC18, VAELECTRIC21): ETL certified to UL 1363, CSA Standard C22.2 No. 21 – 15" H only
- Accessory Night Light in selectable 2700 Kelvin/4000 Kelvin (SLEDS12, SLEDS24, SLEDS30, SLEDS36): Night light is ETL certified to UL 2108, CSA Standard C22.2 No. 12
- Slim Plumbing Drawer Insert with four glass bins (VADRAWER24P, VADRAWER30P, VADRAWER36P) – 15" H only
- Slim Full Drawer Insert with four glass bins (VADRAWER12X, VADRAWER24X, VADRAWER30X, VADRAWER36X) – 15" H only
- Glass Bins: divided storage (GLASSBIN6.38), small (GLASSBIN3.25), medium (GLASSBIN5.25), large (GLASSBIN8.5)
- Hair Styling Organizer (VAHAIRORG): fits most hair dryers and curling irons – to be used in 15" H (H2) vanity drawers only
- Glass and engineered stone tops with porcelain sink
- Glass side kits sold separately as single units or as a pair. Available in 4 heights and 2 depths, and based on the final configuration of the vanity (7-1/2", 15", 22-1/2", 30")
- Ganging kits are required when combining two or more vanities and are available in 4 heights and based on the final configuration of the vanity (7-1/2", 15", 22-1/2", 30")
- Alcove finishing kits are required for corner or alcove installations and are available in 4 heights and based on the final configuration of the vanity (7-1/2", 15", 22-1/2", 30")
- Freestanding Leg Accessory: **NEW!** 22-1/2" H x 21" D vanities, not available for 12" W vanities



Profiles® Ganging Reference

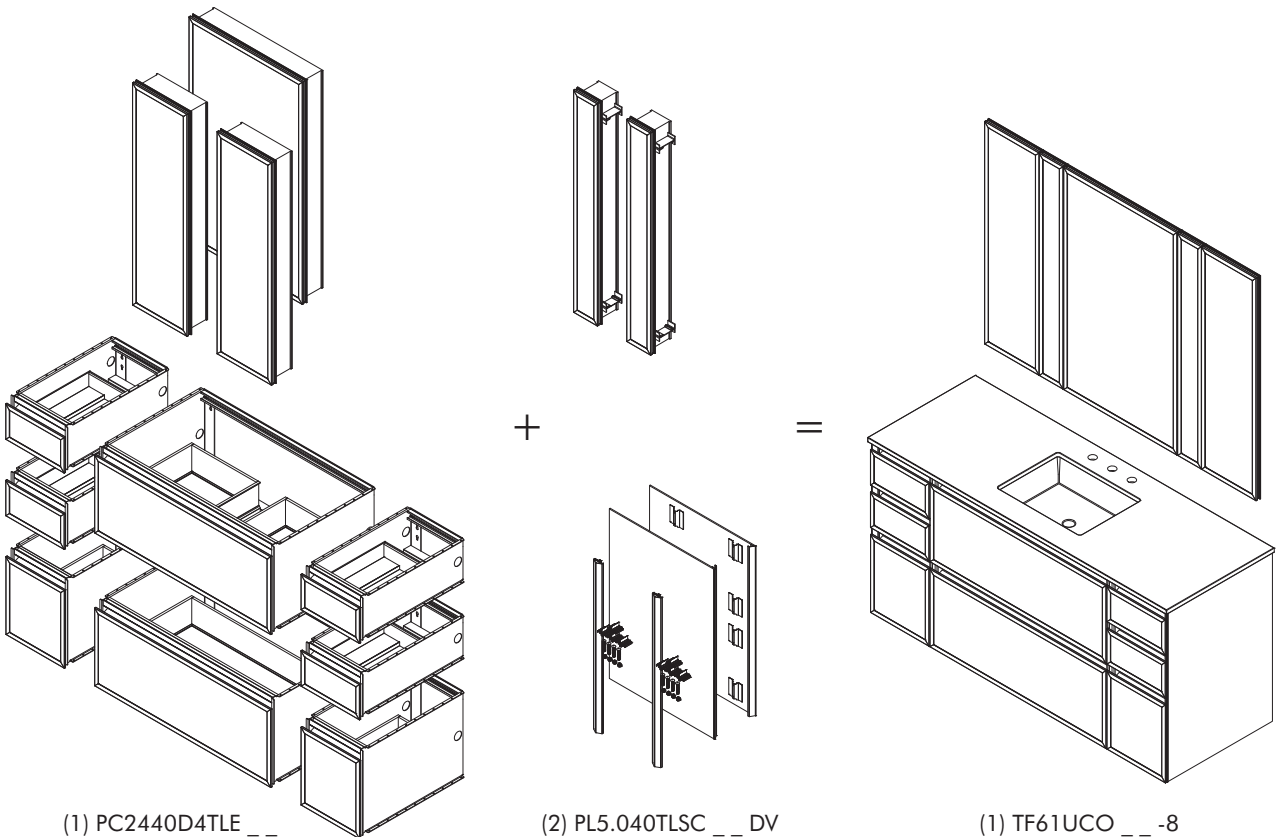


- (1) PM3030T _ _ _
- (1) PMGKIT3030
- (1) VP24H1D21T _ _ S _ _
- (1) VP24H1D21P _ _ S _ _
- (1) VP12H2D21F _ _ S _ _

- (2) PL3.530TLSC _ _ DV
- (1) VM2SKH2D21- _ _ _
- (1) VMGKITH2

- (1) TF37ULO _ _ -8

Configuration 1



- (1) PC2440D4TLE _ _ _
- (2) PC1240D4TNN _ _ _
- (1) VP36H2D21P _ _ S _ _
- (1) VP36H2D21F _ _ S _ _
- (4) VP12H1D21F _ _ S _ _
- (2) VP12H2D21F _ _ S _ _

- (2) PL5.040TLSC _ _ DV
- (1) VM2SKH4D21- _ _ _
- (2) VMGKITH4
- (1) MGKIT

- (1) TF61UCO _ _ -8

Configuration 2

For more guidance on our modular solutions, visit robern.com/modularity.

Profiles® Vanity Model Number Worksheet

FEATURES

Select Dimension (W x H):

12" x 7-1/2"

12" x 15"

24" x 7-1/2"

24" x 15"

30" x 7-1/2"

30" x 15"

36" x 7-1/2"

36" x 15"

Select Depth:

18"

21"

Select Drawer Application:

Plumbing

Full

Tip Out

False Front

Select Glass Color:

Essentials Palette

Tinted Gray Mirror

Black

White

Classic Palette

Beach

Matte White

Matte Gray

Matte Black

Inspire Palette

Satin Bronze

Satin White

Ocean

Smoke Screen

Silver Screen

Select Night Light Option:

No Night Light

Selectable Night Light

(2700K/4000K)

Select Metal Finish Option:

Chrome

Polished Nickel

Matte Gold

Matte Black

MODEL

VP

12H1

12H2

24H1

24H2

30H1

30H2

36H1

36H2

D18

D21

P

F

T*

R*

11

20

21

22

26

27

28

12

19

23

24

25

N

S

76

77

82

83

Note:

* Tip Out Drawer and False Front only available in 7-1/2" height; vanity top sold separately.

CUSTOMER INFORMATION

Name

Address

City/State/Zip

Telephone

Date Ordered

Profiles® Vanity – VP12 – 12" W x 21" or 18" D



For those who want a high-functioning styling space, that pays homage to an age gone by, the Profiles Collection offers mirrored cabinets, mirrors, vanities, and task lighting in a wide assortment of sizes and finishes to meet the unique needs of any space.

- Glass vanity fronts and side kits available in 11 colors
- Limitless design solutions with ability to mix and match
- Spacious drawers and tip out storage options eliminate clutter and make the daily routine effortless



12-1/8" W x 21-3/4" D Vanity		Frame Finish 76, 77, 82, 83	Models		Essentials Palette	Classic Palette	Inspire Palette
Description	Price				Price	Price	
7-1/2" H x 21-3/4" D Vanity – Full Drawer, No Sink							
	Base Unit	76, 77	VP12H1D21F __ N76	VP12H1D21F __ N77	\$ 749.	\$ 1,199.	\$ 1,679.
	With 2700K/ 4000K Night Light		VP12H1D21F __ S76	VP12H1D21F __ S77	\$ 1,029.	\$ 1,529.	\$ 1,949.
	Base Unit	82, 83	VP12H1D21F __ N82	VP12H1D21F __ N83	\$ 879.	\$ 1,299.	\$ 1,779.
	With 2700K/ 4000K Night Light		VP12H1D21F __ S82	VP12H1D21F __ S83	\$ 1,149.	\$ 1,629.	\$ 2,049.
15" H x 21-3/4" D Vanity – Full Drawer, No Sink							
	Base Unit	76, 77	VP12H2D21F __ N76	VP12H2D21F __ N77	\$ 979.	\$ 1,429.	\$ 1,899.
	With 2700K/ 4000K Night Light		VP12H2D21F __ S76	VP12H2D21F __ S77	\$ 1,249.	\$ 1,729.	\$ 2,199.
	Base Unit	82, 83	VP12H2D21F __ N82	VP12H2D21F __ N83	\$ 1,079.	\$ 1,579.	\$ 1,999.
	With 2700K/ 4000K Night Light		VP12H2D21F __ S82	VP12H2D21F __ S83	\$ 1,349.	\$ 1,849.	\$ 2,299.

Vanity top and side kits sold separately.

12-1/8" W x 18-3/4" D Vanity		Frame Finish 76, 77, 82, 83	Models		Essentials Palette	Classic Palette	Inspire Palette
Description	Price				Price	Price	
7-1/2" H x 18-3/4" D Vanity – Full Drawer, No Sink							
	Base Unit	76, 77	VP12H1D18F __ N76	VP12H1D18F __ N77	\$ 749.	\$ 1,199.	\$ 1,679.
	With 2700K/ 4000K Night Light		VP12H1D18F __ S76	VP12H1D18F __ S77	\$ 1,029.	\$ 1,529.	\$ 1,949.
	Base Unit	82, 83	VP12H1D18F __ N82	VP12H1D18F __ N83	\$ 879.	\$ 1,299.	\$ 1,779.
	With 2700K/ 4000K Night Light		VP12H1D18F __ S82	VP12H1D18F __ S83	\$ 1,149.	\$ 1,629.	\$ 2,049.
15" H x 18-3/4" D Vanity – Full Drawer, No Sink							
	Base Unit	76, 77	VP12H2D18F __ N76	VP12H2D18F __ N77	\$ 979.	\$ 1,429.	\$ 1,899.
	With 2700K/ 4000K Night Light		VP12H2D18F __ S76	VP12H2D18F __ S77	\$ 1,249.	\$ 1,729.	\$ 2,199.
	Base Unit	82, 83	VP12H2D18F __ N82	VP12H2D18F __ N83	\$ 1,079.	\$ 1,579.	\$ 1,999.
	With 2700K/ 4000K Night Light		VP12H2D18F __ S82	VP12H2D18F __ S83	\$ 1,349.	\$ 1,849.	\$ 2,299.

Vanity top and side kits sold separately.

Fill in __ designator to Model listed above with desired color listed on the following page.
Example: VP12H2D18F26S76.

See Vanity Color/Finish Options, Vanity Tops, Accessories & Options on the following page.

Profiles® Vanity – VP12 – 12" W x 21" or 18" D

Vanity Glass Colors and Frame Finishes

Fill in __ designator to Model listed at left with desired color. Example: VP12H2D18F26S76.

Essentials Palette

- 10 Mirror
- 11 Tinted Gray Mirror
- 20 Black
- 21 White

Classic Palette

- 22 Beach
- 26 Matte White
- 27 Matte Gray
- 28 Matte Black

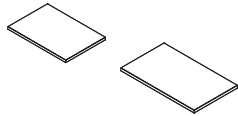
Inspire Palette

- 12 Satin Bronze
- 19 Satin White
- 23 Ocean

Frame Finishes

- 76 Chrome
- 77 Polished Nickel
- 82 Matte Gold
- 83 Matte Black

13" W x 19" D & 13" W x 22" D Vanity Tops



Description

- TF13G __ Engineered Stone Vanity Top (No Sink)
- TE13G __ Engineered Stone Vanity Top (No Sink)

For Use With Vanity

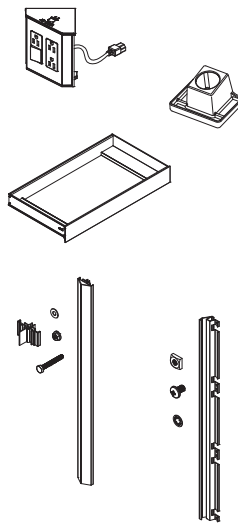
- 21" D, 12" W Vanities
- 18" D, 12" W Vanities

See Page

- 279
- 279

See Profiles Ganging Reference on page 226.

Add-On Accessories & Options



Description

Electric Accessory

- For use in 21" D drawer, with 15" H vanity (H2)
- For use in 18" D drawer, with 15" H vanity (H2)

Model

- VAELECTRIC21
- VAELECTRIC18

Price

- \$ 499.
- \$ 499.

Hair Styling Organizer

- For use in 15" H drawer (H2)

VAHAIRORG

\$ 249.

Slim Drawer Insert

- For use in 15" H drawer (H2)

VADRAWER12X

\$ 549.

Vanity Ganging Kit – Hardware required when combining two or more vanities (each connection point)

- 7-1/2" H
- 15" H
- 22-1/2" H
- 30" H

- VMGKITH1
- VMGKITH2
- VMGKITH3
- VMGKITH4

- \$ 99.
- \$ 99.
- \$ 229.
- \$ 229.

Vanity Alcove Finishing Kit – Hardware required for corner or alcove installations

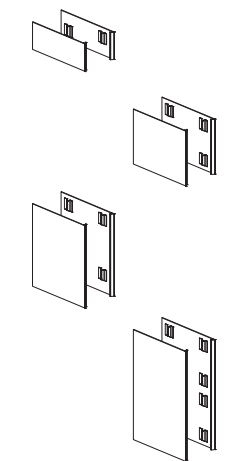
- 7-1/2" H
- 15" H
- 22-1/2" H
- 30" H

- VMAKITH1
- VMAKITH2
- VMAKITH3
- VMAKITH4

- \$ 99.
- \$ 99.
- \$ 229.
- \$ 229.

See additional Accessories on pages 301 – 303.

Vanity Side Kits (sold separately)



Description

Vanity Side Kits – Includes glass panel(s) & hardware (see Color Options above)

- Single, 7-1/2" H, 21" D
- Pair, 7-1/2" H, 21" D
- Single, 7-1/2" H, 18" D
- Pair, 7-1/2" H, 18" D
- Single, 15" H, 21" D
- Pair, 15" H, 21" D
- Single, 15" H, 18" D
- Pair, 15" H, 18" D
- Single, 22-1/2" H, 21" D
- Pair, 22-1/2" H, 21" D
- Single, 22-1/2" H, 18" D
- Pair, 22-1/2" H, 18" D
- Single, 30" H, 21" D
- Pair, 30" H, 21" D
- Single, 30" H, 18" D
- Pair, 30" H, 18" D

Model

- VM1SKH1D21- __
- VM2SKH1D21- __
- VM1SKH1D18- __
- VM2SKH1D18- __
- VM1SKH2D21- __
- VM2SKH2D21- __
- VM1SKH2D18- __
- VM2SKH2D18- __
- VM1SKH3D21- __
- VM2SKH3D21- __
- VM1SKH3D18- __
- VM2SKH3D18- __
- VM1SKH4D21- __
- VM2SKH4D21- __
- VM1SKH4D18- __
- VM2SKH4D18- __

Essentials Palette

- \$ 229.
- \$ 349.
- \$ 229.
- \$ 349.
- \$ 299.
- \$ 449.
- \$ 299.
- \$ 449.
- \$ 349.
- \$ 599.
- \$ 349.
- \$ 599.
- \$ 449.
- \$ 729.
- \$ 449.
- \$ 729.

Classic Palette

- \$ 299.
- \$ 499.
- \$ 299.
- \$ 499.
- \$ 349.
- \$ 549.
- \$ 349.
- \$ 549.
- \$ 449.
- \$ 729.
- \$ 449.
- \$ 729.
- \$ 499.
- \$ 849.
- \$ 499.
- \$ 849.

Inspire Palette

- \$ 349.
- \$ 599.
- \$ 349.
- \$ 599.
- \$ 449.
- \$ 679.
- \$ 449.
- \$ 679.
- \$ 499.
- \$ 849.
- \$ 499.
- \$ 849.
- \$ 549.
- \$ 949.
- \$ 549.
- \$ 949.

Note: You must choose one side kit or alcove kit for every exposed side.

SEE PAGES 224 – 225 FOR TIPS & FEATURES.

Profiles® Vanity – VP24 – 24" W x 21" D



For those who want a high-functioning styling space, that pays homage to an age gone by, the Profiles Collection offers mirrored cabinets, mirrors, vanities, and task lighting in a wide assortment of sizes and finishes to meet the unique needs of any space.



Four Week Lead Time



Modular


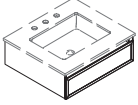
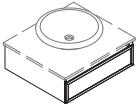

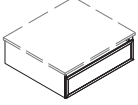
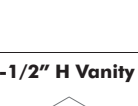
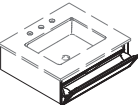

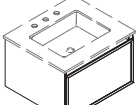

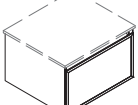
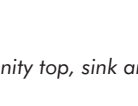


Electrical Outlet



Night Light

24-1/8" W x 21-3/4" D Vanity

Description		Frame Finish 76, 77, 82, 83	Models		Essentials Palette 10, 11, 20, 21 Price	Classic Palette 22, 26, 27, 28 Price	Inspire Palette 12, 19, 23 Price
7-1/2" H Vanity – No Drawer, False Front							
	Base Unit	76, 77	VP24H1D21R __ N76	VP24H1D21R __ N77	\$ 979.	\$ 1,279.	\$ 1,579.
	With 2700K/ 4000K Night Light		VP24H1D21R __ S76	VP24H1D21R __ S77	\$ 1,279.	\$ 1,579.	\$ 1,899.
	Base Unit	82, 83	VP24H1D21R __ N82	VP24H1D21R __ N83	\$ 1,079.	\$ 1,379.	\$ 1,699.
	With 2700K/ 4000K Night Light		VP24H1D21R __ S82	VP24H1D21R __ S83	\$ 1,379.	\$ 1,699.	\$ 1,999.
7-1/2" H Vanity – Plumbing Drawer, No Undercounter Sink							
	Base Unit	76, 77	VP24H1D21P __ N76	VP24H1D21P __ N77	\$ 1,299.	\$ 1,779.	\$ 2,249.
	With 2700K/ 4000K Night Light		VP24H1D21P __ S76	VP24H1D21P __ S77	\$ 1,679.	\$ 2,149.	\$ 2,599.
	Base Unit	82, 83	VP24H1D21P __ N82	VP24H1D21P __ N83	\$ 1,429.	\$ 1,899.	\$ 2,349.
	With 2700K/ 4000K Night Light		VP24H1D21P __ S82	VP24H1D21P __ S83	\$ 1,779.	\$ 2,249.	\$ 2,699.
7-1/2" H Vanity – Full Drawer, No Sink							
	Base Unit	76, 77	VP24H1D21F __ N76	VP24H1D21F __ N77	\$ 1,299.	\$ 1,779.	\$ 2,249.
	With 2700K/ 4000K Night Light		VP24H1D21F __ S76	VP24H1D21F __ S77	\$ 1,679.	\$ 2,149.	\$ 2,599.
	Base Unit	82, 83	VP24H1D21F __ N82	VP24H1D21F __ N83	\$ 1,429.	\$ 1,899.	\$ 2,349.
	With 2700K/ 4000K Night Light		VP24H1D21F __ S82	VP24H1D21F __ S83	\$ 1,779.	\$ 2,249.	\$ 2,699.
7-1/2" H Vanity – Tip Out Drawer							
	Base Unit	76, 77	VP24H1D21T __ N76	VP24H1D21T __ N77	\$ 1,299.	\$ 1,779.	\$ 2,249.
	With 2700K/ 4000K Night Light		VP24H1D21T __ S76	VP24H1D21T __ S77	\$ 1,679.	\$ 2,149.	\$ 2,599.
	Base Unit	82, 83	VP24H1D21T __ N82	VP24H1D21T __ N83	\$ 1,429.	\$ 1,899.	\$ 2,349.
	With 2700K/ 4000K Night Light		VP24H1D21T __ S82	VP24H1D21T __ S83	\$ 1,779.	\$ 2,249.	\$ 2,699.
15" H Vanity – Plumbing Drawer							
	Base Unit	76, 77	VP24H2D21P __ N76	VP24H2D21P __ N77	\$ 1,579.	\$ 1,999.	\$ 2,499.
	With 2700K/ 4000K Night Light		VP24H2D21P __ S76	VP24H2D21P __ S77	\$ 1,899.	\$ 2,349.	\$ 2,829.
	Base Unit	82, 83	VP24H2D21P __ N82	VP24H2D21P __ N83	\$ 1,679.	\$ 2,149.	\$ 2,599.
	With 2700K/ 4000K Night Light		VP24H2D21P __ S82	VP24H2D21P __ S83	\$ 1,999.	\$ 2,499.	\$ 2,929.
15" H Vanity – Full Drawer, No Sink							
	Base Unit	76, 77	VP24H2D21F __ N76	VP24H2D21F __ N77	\$ 1,579.	\$ 1,999.	\$ 2,499.
	With 2700K/ 4000K Night Light		VP24H2D21F __ S76	VP24H2D21F __ S77	\$ 1,899.	\$ 2,349.	\$ 2,829.
	Base Unit	82, 83	VP24H2D21F __ N82	VP24H2D21F __ N83	\$ 1,679.	\$ 2,149.	\$ 2,599.
	With 2700K/ 4000K Night Light		VP24H2D21F __ S82	VP24H2D21F __ S83	\$ 1,999.	\$ 2,499.	\$ 2,929.

Vanity top, sink and side kits sold separately.

Fill in __ designator to Model listed above with desired color listed on the following page.
Example: VP24H2D21F26S76.

See Vanity Color/Finish Options, Vanity Tops, Accessories & Options on the following page.

Profiles® Vanity – VP24 – 24" W x 21" D

Vanity Glass Colors and Frame Finishes

Fill in __ designator to Model listed at left with desired color. Example: VP24H2D21F26S76.

Essentials Palette

- 10 Mirror
- 11 Tinted Gray Mirror
- 20 Black
- 21 White

Classic Palette

- 22 Beach
- 26 Matte White
- 27 Matte Gray
- 28 Matte Black

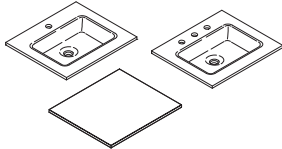
Inspire Palette

- 12 Satin Bronze
- 19 Satin White
- 23 Ocean

Frame Finishes

- 76 Chrome
- 77 Polished Nickel
- 82 Matte Gold
- 83 Matte Black

25" W x 22" D Vanity Tops – For 21" D Vanities



Description

- TS25UCN __ Glass Vanity Top
- TF25UCO __ Engineered Stone Vanity Top
- TF25G __ Engineered Stone Vanity Top (No Sink)

For Use With Vanity

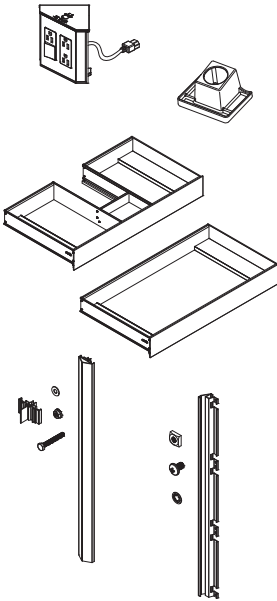
- Plumbing & Tip Out Drawer
- Plumbing & Tip Out Drawer
- 24" W Vanities

See Page

- 279
- 279
- 279

**Undercounter Sink available for Custom Countertop – see page 286.
See Profiles Ganging Reference on page 226.**

Add-On Accessories & Options



Description

Electric Accessory

For use in 15" H plumbing or full drawer (H2)

Model

VAELECTRIC21

Price

\$ 499.

Hair Styling Organizer

For use in 15" H full drawer (H2)

VAHAIRORG

\$ 249.

Slim Drawer Insert

For use in 15" H plumbing drawer (H2)

VADRAWER24P

\$ 679.

For use in 15" H full drawer (H2)

VADRAWER24X

\$ 679.

Note: Not for use with plumbing drawer undercounter sink installations or with Robern's stone vanity tops.
Can be used in above-counter vessel installations.

Vanity Ganging Kit – Hardware required when combining two or more vanities (each connection point)

7-1/2" H

VMGKITH1

\$ 99.

15" H

VMGKITH2

\$ 99.

22-1/2" H

VMGKITH3

\$ 229.

30" H

VMGKITH4

\$ 229.

Vanity Alcove Finishing Kit – Hardware required for corner or alcove installations

7-1/2" H

VMAKITH1

\$ 99.

15" H

VMAKITH2

\$ 99.

22-1/2" H

VMAKITH3

\$ 229.

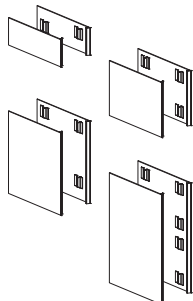
30" H

VMAKITH4

\$ 229.

See additional Accessories on pages 301 – 303.

Vanity Side Kits (sold separately)



Description

Model

Essentials Palette

Classic Palette

Inspire Palette

Vanity Side Kits – Includes glass panel(s) & hardware (see Color Options above)

Single, 7-1/2" H, 21" D

VM1SKH1D21- __

\$ 229.

\$ 299.

\$ 349.

Pair, 7-1/2" H, 21" D

VM2SKH1D21- __

\$ 349.

\$ 499.

\$ 599.

Single, 15" H, 21" D

VM1SKH2D21- __

\$ 299.

\$ 349.

\$ 449.

Pair, 15" H, 21" D

VM2SKH2D21- __

\$ 449.

\$ 549.

\$ 679.

Single, 22-1/2" H, 21" D

VM1SKH3D21- __

\$ 349.

\$ 449.

\$ 499.

Pair, 22-1/2" H, 21" D

VM2SKH3D21- __

\$ 599.

\$ 729.

\$ 849.

Single, 30" H, 21" D

VM1SKH4D21- __

\$ 449.

\$ 499.

\$ 549.

Pair, 30" H, 21" D

VM2SKH4D21- __

\$ 729.

\$ 849.

\$ 949.

Note: You must choose one side kit or alcove kit for every exposed side.

SEE PAGES 224 – 225 FOR TIPS & FEATURES.


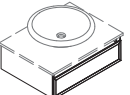
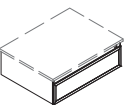
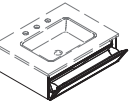
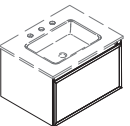
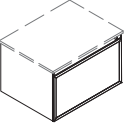
Profiles® Vanity – VP24 – 24" W x 18" D



For those who want a high-functioning styling space, that pays homage to an age gone by, the Profiles Collection offers mirrored cabinets, mirrors, vanities, and task lighting in a wide assortment of sizes and finishes to meet the unique needs of any space.



24-1/8" W x 18-3/4" D Vanity

Description	Frame Finish 76, 77, 82, 83	Models	Essentials Palette 10, 11, 20, 21 Price	Classic Palette 22, 26, 27, 28 Price	Inspire Palette 12, 19, 23 Price	
7-1/2" H Vanity – No Drawer, False Front						
 Base Unit		VP24H1D18R__N76	VP24H1D18R__N77	\$ 979.	\$ 1,279.	\$ 1,579.
With 2700K/ 4000K Night Light	76, 77	VP24H1D18R__S76	VP24H1D18R__S77	\$ 1,279.	\$ 1,579.	\$ 1,899.
Base Unit		VP24H1D18R__N82	VP24H1D18R__N83	\$ 1,079.	\$ 1,379.	\$ 1,699.
With 2700K/ 4000K Night Light	82, 83	VP24H1D18R__S82	VP24H1D18R__S83	\$ 1,379.	\$ 1,699.	\$ 1,999.
7-1/2" H Vanity – Plumbing Drawer, No Undercounter Sink						
 Base Unit		VP24H1D18P__N76	VP24H1D18P__N77	\$ 1,299.	\$ 1,779.	\$ 2,249.
With 2700K/ 4000K Night Light	76, 77	VP24H1D18P__S76	VP24H1D18P__S77	\$ 1,679.	\$ 2,149.	\$ 2,599.
Base Unit		VP24H1D18P__N82	VP24H1D18P__N83	\$ 1,429.	\$ 1,899.	\$ 2,349.
With 2700K/ 4000K Night Light	82, 83	VP24H1D18P__S82	VP24H1D18P__S83	\$ 1,779.	\$ 2,249.	\$ 2,699.
7-1/2" H Vanity – Full Drawer, No Sink						
 Base Unit		VP24H1D18F__N76	VP24H1D18F__N77	\$ 1,299.	\$ 1,779.	\$ 2,249.
With 2700K/ 4000K Night Light	76, 77	VP24H1D18F__S76	VP24H1D18F__S77	\$ 1,679.	\$ 2,149.	\$ 2,599.
Base Unit		VP24H1D18F__N82	VP24H1D18F__N83	\$ 1,429.	\$ 1,899.	\$ 2,349.
With 2700K/ 4000K Night Light	82, 83	VP24H1D18F__S82	VP24H1D18F__S83	\$ 1,779.	\$ 2,249.	\$ 2,699.
7-1/2" H Vanity – Tip Out Drawer						
 Base Unit		VP24H1D18T__N76	VP24H1D18T__N77	\$ 1,299.	\$ 1,779.	\$ 2,249.
With 2700K/ 4000K Night Light	76, 77	VP24H1D18T__S76	VP24H1D18T__S77	\$ 1,679.	\$ 2,149.	\$ 2,599.
Base Unit		VP24H1D18T__N82	VP24H1D18T__N83	\$ 1,429.	\$ 1,899.	\$ 2,349.
With 2700K/ 4000K Night Light	82, 83	VP24H1D18T__S82	VP24H1D18T__S83	\$ 1,779.	\$ 2,249.	\$ 2,699.
15" H Vanity – Plumbing Drawer						
 Base Unit		VP24H2D18P__N76	VP24H2D18P__N77	\$ 1,579.	\$ 1,999.	\$ 2,499.
With 2700K/ 4000K Night Light	76, 77	VP24H2D18P__S76	VP24H2D18P__S77	\$ 1,899.	\$ 2,349.	\$ 2,829.
Base Unit		VP24H2D18P__N82	VP24H2D18P__N83	\$ 1,679.	\$ 2,149.	\$ 2,599.
With 2700K/ 4000K Night Light	82, 83	VP24H2D18P__S82	VP24H2D18P__S83	\$ 1,999.	\$ 2,499.	\$ 2,929.
15" H Vanity – Full Drawer, No Sink						
 Base Unit		VP24H2D18F__N76	VP24H2D18F__N77	\$ 1,579.	\$ 1,999.	\$ 2,499.
With 2700K/ 4000K Night Light	76, 77	VP24H2D18F__S76	VP24H2D18F__S77	\$ 1,899.	\$ 2,349.	\$ 2,829.
Base Unit		VP24H2D18F__N82	VP24H2D18F__N83	\$ 1,679.	\$ 2,149.	\$ 2,599.
With 2700K/ 4000K Night Light	82, 83	VP24H2D18F__S82	VP24H2D18F__S83	\$ 1,999.	\$ 2,499.	\$ 2,929.

Vanity top, sink and side kits sold separately.

Fill in __ designator to Model listed above with desired color listed on the following page.
Example: VP24H2D18F26S76.

See Vanity Color/Finish Options, Vanity Tops, Accessories & Options on the following page.

Profiles® Vanity – VP24 – 24" W x 18" D

Vanity Glass Colors and Frame Finishes

Fill in __ designator to Model listed at left with desired color. Example: VP24H2D18F26S76.

Essentials Palette

- 10 Mirror
- 11 Tinted Gray Mirror
- 20 Black
- 21 White

Classic Palette

- 22 Beach
- 26 Matte White
- 27 Matte Gray
- 28 Matte Black

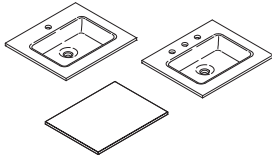
Inspire Palette

- 12 Satin Bronze
- 19 Satin White
- 23 Ocean

Frame Finishes

- 76 Chrome
- 77 Polished Nickel
- 82 Matte Gold
- 83 Matte Black

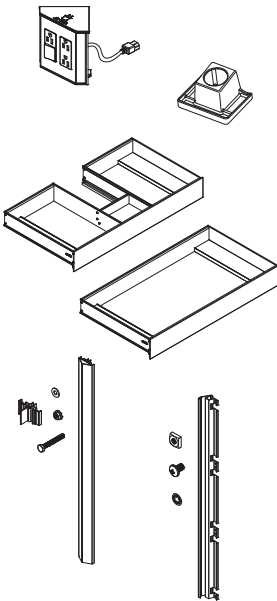
25" W x 19" D Vanity Tops – For 18" D Vanities



Description	For Use With Vanity	See Page
TC25UCN __ Glass Vanity Top	Plumbing & Tip Out Drawer	279
TE25G __ Engineered Stone Vanity Top (No Sink)	24" W Vanities	279

**Undercounter Sink available for Custom Countertop – see page 286.
See Profiles Ganging Reference on page 226.**

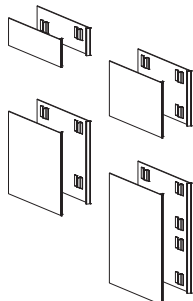
Add-On Accessories & Options



Description	Model	Price
Electric Accessory		
For use in 15" H plumbing or full drawer (H2)	VAELECTRIC18	\$ 499.
Hair Styling Organizer		
For use in 15" H full drawer (H2)	VAHAIRORG	\$ 249.
Slim Drawer Insert		
For use in 15" H plumbing drawer (H2)	VADRAWER24P	\$ 679.
For use in 15" H full drawer (H2)	VADRAWER24X	\$ 679.
Note: Not for use with plumbing drawer undercounter sink installations or with Robern's stone vanity tops. Can be used in above-counter vessel installations.		
Vanity Ganging Kit – Hardware required when combining two or more vanities (each connection point)		
7-1/2" H	VMGKITH1	\$ 99.
15" H	VMGKITH2	\$ 99.
22-1/2" H	VMGKITH3	\$ 229.
30" H	VMGKITH4	\$ 229.
Vanity Alcove Finishing Kit – Hardware required for corner or alcove installations		
7-1/2" H	VMAKITH1	\$ 99.
15" H	VMAKITH2	\$ 99.
22-1/2" H	VMAKITH3	\$ 229.
30" H	VMAKITH4	\$ 229.

See additional Accessories on pages 301 – 303.

Vanity Side Kits (sold separately)



Description	Model	Essentials Palette	Classic Palette	Inspire Palette
Vanity Side Kits – Includes glass panel(s) & hardware (see Color Options above)				
Single, 7-1/2" H, 18" D	VM1SKH1D18-__	\$ 229.	\$ 299.	\$ 349.
Pair, 7-1/2" H, 18" D	VM2SKH1D18-__	\$ 349.	\$ 499.	\$ 599.
Single, 15" H, 18" D	VM1SKH2D18-__	\$ 299.	\$ 349.	\$ 449.
Pair, 15" H, 18" D	VM2SKH2D18-__	\$ 449.	\$ 549.	\$ 679.
Single, 22-1/2" H, 18" D	VM1SKH3D18-__	\$ 349.	\$ 449.	\$ 499.
Pair, 22-1/2" H, 18" D	VM2SKH3D18-__	\$ 599.	\$ 729.	\$ 849.
Single, 30" H, 18" D	VM1SKH4D18-__	\$ 449.	\$ 499.	\$ 549.
Pair, 30" H, 18" D	VM2SKH4D18-__	\$ 729.	\$ 849.	\$ 949.

Note: You must choose one side kit or alcove kit for every exposed side.

SEE PAGES 224 – 225 FOR TIPS & FEATURES.

Profiles® Vanity – VP30 – 30" W x 21" D



For those who want a high-functioning styling space, that pays homage to an age gone by, the Profiles Collection offers mirrored cabinets, mirrors, vanities, and task lighting in a wide assortment of sizes and finishes to meet the unique needs of any space.



Four Week Lead Time



Modular


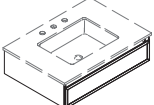
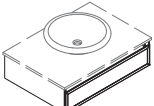
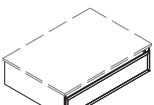
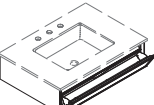
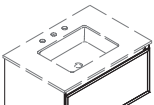
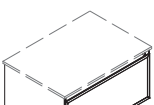


Electrical Outlet



Night Light

30-1/8" W x 21-3/4" D Vanity

Description	Frame Finish 76, 77, 82, 83	Models	Essentials Palette 10, 11, 20, 21 Price	Classic Palette 22, 26, 27, 28 Price	Inspire Palette 12, 19, 23 Price	
7-1/2" H Vanity – No Drawer, False Front						
 	Base Unit	VP30H1D21R __ N76	VP30H1D21R __ N77	\$ 1,479.	\$ 1,799.	\$ 2,099.
	With 2700K/ 4000K Night Light	76, 77 VP30H1D21R __ S76	VP30H1D21R __ S77	\$ 1,849.	\$ 2,149.	\$ 2,449.
	Base Unit	VP30H1D21R __ N82	VP30H1D21R __ N83	\$ 1,579.	\$ 1,899.	\$ 2,199.
	With 2700K/ 4000K Night Light	82, 83 VP30H1D21R __ S82	VP30H1D21R __ S83	\$ 1,949.	\$ 2,249.	\$ 2,549.
7-1/2" H Vanity – Plumbing Drawer, No Undercounter Sink						
	Base Unit	VP30H1D21P __ N76	VP30H1D21P __ N77	\$ 1,899.	\$ 2,349.	\$ 2,829.
	With 2700K/ 4000K Night Light	76, 77 VP30H1D21P __ S76	VP30H1D21P __ S77	\$ 2,299.	\$ 2,779.	\$ 3,229.
	Base Unit	VP30H1D21P __ N82	VP30H1D21P __ N83	\$ 1,999.	\$ 2,499.	\$ 2,929.
	With 2700K/ 4000K Night Light	82, 83 VP30H1D21P __ S82	VP30H1D21P __ S83	\$ 2,399.	\$ 2,879.	\$ 3,329.
7-1/2" H Vanity – Full Drawer, No Sink						
	Base Unit	VP30H1D21F __ N76	VP30H1D21F __ N77	\$ 1,899.	\$ 2,349.	\$ 2,829.
	With 2700K/ 4000K Night Light	76, 77 VP30H1D21F __ S76	VP30H1D21F __ S77	\$ 2,299.	\$ 2,779.	\$ 3,229.
	Base Unit	VP30H1D21F __ N82	VP30H1D21F __ N83	\$ 1,999.	\$ 2,499.	\$ 2,929.
	With 2700K/ 4000K Night Light	82, 83 VP30H1D21F __ S82	VP30H1D21F __ S83	\$ 2,399.	\$ 2,879.	\$ 3,329.
7-1/2" H Vanity – Tip Out Drawer						
	Base Unit	VP30H1D21T __ N76	VP30H1D21T __ N77	\$ 1,899.	\$ 2,349.	\$ 2,829.
	With 2700K/ 4000K Night Light	76, 77 VP30H1D21T __ S76	VP30H1D21T __ S77	\$ 2,299.	\$ 2,779.	\$ 3,229.
	Base Unit	VP30H1D21T __ N82	VP30H1D21T __ N83	\$ 1,999.	\$ 2,499.	\$ 2,929.
	With 2700K/ 4000K Night Light	82, 83 VP30H1D21T __ S82	VP30H1D21T __ S83	\$ 2,399.	\$ 2,879.	\$ 3,329.
15" H Vanity – Plumbing Drawer						
	Base Unit	VP30H2D21P __ N76	VP30H2D21P __ N77	\$ 2,149.	\$ 2,599.	\$ 3,049.
	With 2700K/ 4000K Night Light	76, 77 VP30H2D21P __ S76	VP30H2D21P __ S77	\$ 2,549.	\$ 2,979.	\$ 3,449.
	Base Unit	VP30H2D21P __ N82	VP30H2D21P __ N83	\$ 2,249.	\$ 2,699.	\$ 3,179.
	With 2700K/ 4000K Night Light	82, 83 VP30H2D21P __ S82	VP30H2D21P __ S83	\$ 2,649.	\$ 3,099.	\$ 3,579.
15" H Vanity – Full Drawer, No Sink						
	Base Unit	VP30H2D21F __ N76	VP30H2D21F __ N77	\$ 2,149.	\$ 2,599.	\$ 3,049.
	With 2700K/ 4000K Night Light	76, 77 VP30H2D21F __ S76	VP30H2D21F __ S77	\$ 2,549.	\$ 2,979.	\$ 3,449.
	Base Unit	VP30H2D21F __ N82	VP30H2D21F __ N83	\$ 2,249.	\$ 2,699.	\$ 3,179.
	With 2700K/ 4000K Night Light	82, 83 VP30H2D21F __ S82	VP30H2D21F __ S83	\$ 2,649.	\$ 3,099.	\$ 3,579.

Vanity top, sink and side kits sold separately.

Fill in __ designator to Model listed above with desired color listed on the following page.
Example: VP30H2D21F26S76.

See Vanity Color/Finish Options, Vanity Tops, Accessories & Options on the following page.

Profiles® Vanity – VP30 – 30" W x 21" D

Vanity Glass Colors and Frame Finishes

Fill in __ designator to Model listed at left with desired color. Example: VP30H2D21F26S76.

Essentials Palette

- 10 Mirror
- 11 Tinted Gray Mirror
- 20 Black
- 21 White

Classic Palette

- 22 Beach
- 26 Matte White
- 27 Matte Gray
- 28 Matte Black

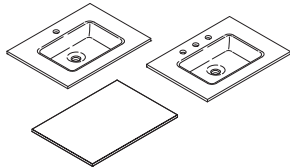
Inspire Palette

- 12 Satin Bronze
- 19 Satin White
- 23 Ocean

Frame Finishes

- 76 Chrome
- 77 Polished Nickel
- 82 Matte Gold
- 83 Matte Black

31" W x 22" D Vanity Tops – For 21" D Vanities



Description

- TS31UCN __ Glass Vanity Top
- TF31UCO __ Engineered Stone Vanity Top
- TF31G __ Engineered Stone Vanity Top (No Sink)

For Use With Vanity

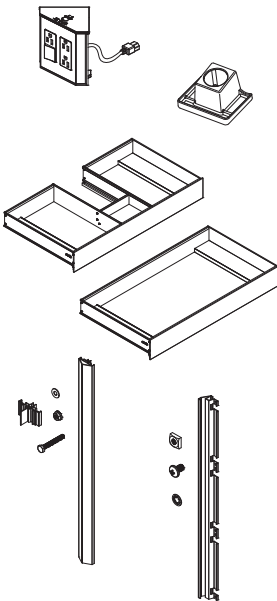
- Plumbing & Tip Out Drawer
- Plumbing & Tip Out Drawer
- 30" W Vanities

See Page

- 280
- 280
- 280

**Undercounter Sink available for Custom Countertop – see page 286.
See Profiles Ganging Reference on page 226.**

Add-On Accessories & Options



Description

Electric Accessory

For use in 15" H plumbing or full drawer (H2)

Model

VAELECTRIC21

Price

\$ 499.

Hair Styling Organizer

For use in 15" H plumbing (vessel only) or full drawer (H2)

VAHAIRORG

\$ 249.

Slim Drawer Insert

For use in 15" H plumbing drawer (H2)

VADRAWER30P

\$ 779.

For use in 15" H full drawer (H2)

VADRAWER30X

\$ 779.

Note: Not for use with plumbing drawer undercounter sink installations or with Robern's stone vanity tops.
Can be used in above-counter vessel installations.

Vanity Ganging Kit – Hardware required when combining two or more vanities (each connection point)

7-1/2" H

VMGKITH1

\$ 99.

15" H

VMGKITH2

\$ 99.

22-1/2" H

VMGKITH3

\$ 229.

30" H

VMGKITH4

\$ 229.

Vanity Alcove Finishing Kit – Hardware required for corner or alcove installations

7-1/2" H

VMAKITH1

\$ 99.

15" H

VMAKITH2

\$ 99.

22-1/2" H

VMAKITH3

\$ 229.

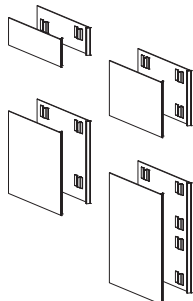
30" H

VMAKITH4

\$ 229.

See additional Accessories on pages 301 – 303.

Vanity Side Kits (sold separately)



Description

Model

Essentials Palette

Classic Palette

Inspire Palette

Vanity Side Kits – Includes glass panel(s) & hardware (see Color Options above)

Single, 7-1/2" H, 21" D

VM1SKH1D21- __

\$ 229.

\$ 299.

\$ 349.

Pair, 7-1/2" H, 21" D

VM2SKH1D21- __

\$ 349.

\$ 499.

\$ 599.

Single, 15" H, 21" D

VM1SKH2D21- __

\$ 299.

\$ 349.

\$ 449.

Pair, 15" H, 21" D

VM2SKH2D21- __

\$ 449.

\$ 549.

\$ 679.

Single, 22-1/2" H, 21" D

VM1SKH3D21- __

\$ 349.

\$ 449.

\$ 499.

Pair, 22-1/2" H, 21" D

VM2SKH3D21- __

\$ 599.

\$ 729.

\$ 849.

Single, 30" H, 21" D

VM1SKH4D21- __

\$ 449.

\$ 499.

\$ 549.

Pair, 30" H, 21" D

VM2SKH4D21- __

\$ 729.

\$ 849.

\$ 949.

Note: You must choose one side kit or alcove kit for every exposed side.

SEE PAGES 224 – 225 FOR TIPS & FEATURES.

Profiles® Vanity – VP30 – 30" W x 18" D



For those who want a high-functioning styling space, that pays homage to an age gone by, the Profiles Collection offers mirrored cabinets, mirrors, vanities, and task lighting in a wide assortment of sizes and finishes to meet the unique needs of any space.



Four Week Lead Time



Modular


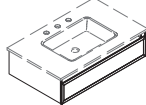
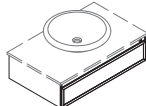
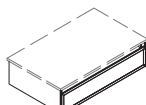
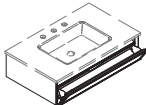
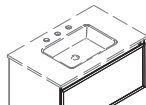
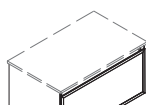


Electrical Outlet



Night Light

30-1/8" W x 18-3/4" D Vanity

Description	Frame Finish 76, 77, 82, 83	Models		Essentials	Classic	Inspire	
				Palette 10, 11, 20, 21 Price	Palette 22, 26, 27, 28 Price	Palette 12, 19, 23 Price	
7-1/2" H Vanity – No Drawer, False Front							
 	Base Unit		VP30H1D18R__N76	VP30H1D18R__N77	\$ 1,479.	\$ 1,799.	\$ 2,099.
	With 2700K/ 4000K Night Light	76, 77	VP30H1D18R__S76	VP30H1D18R__S77	\$ 1,849.	\$ 2,149.	\$ 2,449.
	Base Unit		VP30H1D18R__N82	VP30H1D18R__N83	\$ 1,579.	\$ 1,899.	\$ 2,199.
	With 2700K/ 4000K Night Light	82, 83	VP30H1D18R__S82	VP30H1D18R__S83	\$ 1,949.	\$ 2,249.	\$ 2,549.
7-1/2" H Vanity – Plumbing Drawer, No Undercounter Sink							
	Base Unit		VP30H1D18P__N76	VP30H1D18P__N77	\$ 1,899.	\$ 2,349.	\$ 2,829.
	With 2700K/ 4000K Night Light	76, 77	VP30H1D18P__S76	VP30H1D18P__S77	\$ 2,299.	\$ 2,779.	\$ 3,229.
	Base Unit		VP30H1D18P__N82	VP30H1D18P__N83	\$ 1,999.	\$ 2,499.	\$ 2,929.
	With 2700K/ 4000K Night Light	82, 83	VP30H1D18P__S82	VP30H1D18P__S83	\$ 2,399.	\$ 2,879.	\$ 3,329.
7-1/2" H Vanity – Full Drawer, No Sink							
	Base Unit		VP30H1D18F__N76	VP30H1D18F__N77	\$ 1,899.	\$ 2,349.	\$ 2,829.
	With 2700K/ 4000K Night Light	76, 77	VP30H1D18F__S76	VP30H1D18F__S77	\$ 2,299.	\$ 2,779.	\$ 3,229.
	Base Unit		VP30H1D18F__N82	VP30H1D18F__N83	\$ 1,999.	\$ 2,499.	\$ 2,929.
	With 2700K/ 4000K Night Light	82, 83	VP30H1D18F__S82	VP30H1D18F__S83	\$ 2,399.	\$ 2,879.	\$ 3,329.
7-1/2" H Vanity – Tip Out Drawer							
	Base Unit		VP30H1D18T__N76	VP30H1D18T__N77	\$ 1,899.	\$ 2,349.	\$ 2,829.
	With 2700K/ 4000K Night Light	76, 77	VP30H1D18T__S76	VP30H1D18T__S77	\$ 2,299.	\$ 2,779.	\$ 3,229.
	Base Unit		VP30H1D18T__N82	VP30H1D18T__N83	\$ 1,999.	\$ 2,499.	\$ 2,929.
	With 2700K/ 4000K Night Light	82, 83	VP30H1D18T__S82	VP30H1D18T__S83	\$ 2,399.	\$ 2,879.	\$ 3,329.
15" H Vanity – Plumbing Drawer							
	Base Unit		VP30H2D18P__N76	VP30H2D18P__N77	\$ 2,149.	\$ 2,599.	\$ 3,049.
	With 2700K/ 4000K Night Light	76, 77	VP30H2D18P__S76	VP30H2D18P__S77	\$ 2,549.	\$ 2,979.	\$ 3,449.
	Base Unit		VP30H2D18P__N82	VP30H2D18P__N83	\$ 2,249.	\$ 2,699.	\$ 3,179.
	With 2700K/ 4000K Night Light	82, 83	VP30H2D18P__S82	VP30H2D18P__S83	\$ 2,649.	\$ 3,099.	\$ 3,579.
15" H Vanity – Full Drawer, No Sink							
	Base Unit		VP30H2D18F__N76	VP30H2D18F__N77	\$ 2,149.	\$ 2,599.	\$ 3,049.
	With 2700K/ 4000K Night Light	76, 77	VP30H2D18F__S76	VP30H2D18F__S77	\$ 2,549.	\$ 2,979.	\$ 3,449.
	Base Unit		VP30H2D18F__N82	VP30H2D18F__N83	\$ 2,249.	\$ 2,699.	\$ 3,179.
	With 2700K/ 4000K Night Light	82, 83	VP30H2D18F__S82	VP30H2D18F__S83	\$ 2,649.	\$ 3,099.	\$ 3,579.

Vanity top, sink and side kits sold separately.

Fill in __ designator to Model listed above with desired color listed on the following page.
Example: VP30H2D18F26S76.

See Vanity Color/Finish Options, Vanity Tops, Accessories & Options on the following page.

Profiles® Vanity – VP30 – 30" W x 18" D

Vanity Glass Colors and Frame Finishes

Fill in __ designator to Model listed at left with desired color. Example: VP30H2D18F26S76.

Essentials Palette

- 10 Mirror
- 11 Tinted Gray Mirror
- 20 Black
- 21 White

Classic Palette

- 22 Beach
- 26 Matte White
- 27 Matte Gray
- 28 Matte Black

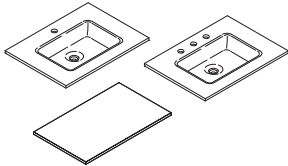
Inspire Palette

- 12 Satin Bronze
- 19 Satin White
- 23 Ocean

Frame Finishes

- 76 Chrome
- 77 Polished Nickel
- 82 Matte Gold
- 83 Matte Black

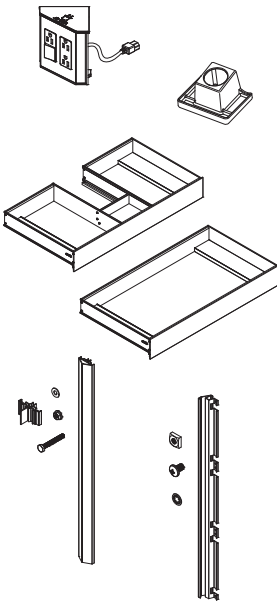
31" W x 19" D Vanity Tops – For 18" D Vanities



Description	For Use With Vanity	See Page
TC31UCN __ Glass Vanity Top	Plumbing & Tip Out Drawer	280
TE31G __ Engineered Stone Vanity Top (No Sink)	30" W Vanities	280

**Undercounter Sink available for Custom Countertop – see page 286.
See Profiles Ganging Reference on page 226.**

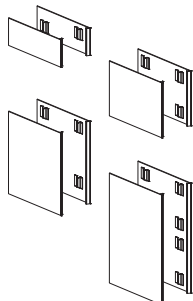
Add-On Accessories & Options



Description	Model	Price
Electric Accessory For use in 15" H plumbing or full drawer (H2)	VAELECTRIC18	\$ 499.
Hair Styling Organizer For use in 15" H plumbing (vessel only) or full drawer (H2)	VAHAIRORG	\$ 249.
Slim Drawer Insert For use in 15" H plumbing drawer (H2)	VADRAWER30P	\$ 779.
For use in 15" H full drawer (H2)	VADRAWER30X	\$ 779.
Note: Not for use with plumbing drawer undercounter sink installations or with Robern's stone vanity tops. Can be used in above-counter vessel installations.		
Vanity Ganging Kit – Hardware required when combining two or more vanities (each connection point)		
7-1/2" H	VMGKITH1	\$ 99.
15" H	VMGKITH2	\$ 99.
22-1/2" H	VMGKITH3	\$ 229.
30" H	VMGKITH4	\$ 229.
Vanity Alcove Finishing Kit – Hardware required for corner or alcove installations		
7-1/2" H	VMAKITH1	\$ 99.
15" H	VMAKITH2	\$ 99.
22-1/2" H	VMAKITH3	\$ 229.
30" H	VMAKITH4	\$ 229.

See additional Accessories on pages 301 – 303.

Vanity Side Kits (sold separately)



Description	Model	Essentials Palette	Classic Palette	Inspire Palette
Vanity Side Kits – Includes glass panel(s) & hardware (see Color Options above)				
Single, 7-1/2" H, 18" D	VM1SKH1D18-__	\$ 229.	\$ 299.	\$ 349.
Pair, 7-1/2" H, 18" D	VM2SKH1D18-__	\$ 349.	\$ 499.	\$ 599.
Single, 15" H, 18" D	VM1SKH2D18-__	\$ 299.	\$ 349.	\$ 449.
Pair, 15" H, 18" D	VM2SKH2D18-__	\$ 449.	\$ 549.	\$ 679.
Single, 22-1/2" H, 18" D	VM1SKH3D18-__	\$ 349.	\$ 449.	\$ 499.
Pair, 22-1/2" H, 18" D	VM2SKH3D18-__	\$ 599.	\$ 729.	\$ 849.
Single, 30" H, 18" D	VM1SKH4D18-__	\$ 449.	\$ 499.	\$ 549.
Pair, 30" H, 18" D	VM2SKH4D18-__	\$ 729.	\$ 849.	\$ 949.

Note: You must choose one side kit or alcove kit for every exposed side.

SEE PAGES 224 – 225 FOR TIPS & FEATURES.

Profiles® Vanity – VP36 – 36" W x 21" D



For those who want a high-functioning styling space, that pays homage to an age gone by, the Profiles Collection offers mirrored cabinets, mirrors, vanities, and task lighting in a wide assortment of sizes and finishes to meet the unique needs of any space.




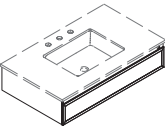
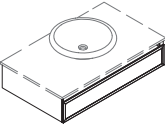
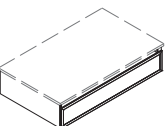
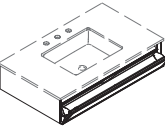
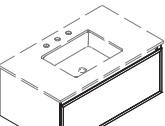
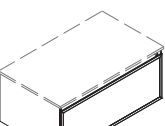
Four Week
Lead Time

Modular

Electrical
Outlet

Night
Light

36-1/8" W x 21-3/4" D Vanity

Description	Frame Finish 76, 77, 82, 83	Models		Essentials Palette 10, 11, 20, 21 Price	Classic Palette 22, 26, 27, 28 Price	Inspire Palette 12, 19, 23 Price	
7-1/2" H Vanity – No Drawer, False Front							
 	Base Unit		VP36H1D21R __ N76	VP36H1D21R __ N77	\$ 1,999.	\$ 2,299.	\$ 2,599.
	With 2700K/ 4000K Night Light	76, 77	VP36H1D21R __ S76	VP36H1D21R __ S77	\$ 2,399.	\$ 2,729.	\$ 3,029.
	Base Unit		VP36H1D21R __ N82	VP36H1D21R __ N83	\$ 2,099.	\$ 2,399.	\$ 2,729.
	With 2700K/ 4000K Night Light	82, 83	VP36H1D21R __ S82	VP36H1D21R __ S83	\$ 2,499.	\$ 2,829.	\$ 3,129.
7-1/2" H Vanity – Plumbing Drawer, No Undercounter Sink							
	Base Unit		VP36H1D21P __ N76	VP36H1D21P __ N77	\$ 2,499.	\$ 2,929.	\$ 3,379.
	With 2700K/ 4000K Night Light	76, 77	VP36H1D21P __ S76	VP36H1D21P __ S77	\$ 2,929.	\$ 3,379.	\$ 3,849.
	Base Unit		VP36H1D21P __ N82	VP36H1D21P __ N83	\$ 2,599.	\$ 3,049.	\$ 3,529.
	With 2700K/ 4000K Night Light	82, 83	VP36H1D21P __ S82	VP36H1D21P __ S83	\$ 3,049.	\$ 3,529.	\$ 3,949.
7-1/2" H Vanity – Full Drawer, No Sink							
	Base Unit		VP36H1D21F __ N76	VP36H1D21F __ N77	\$ 2,499.	\$ 2,929.	\$ 3,379.
	With 2700K/ 4000K Night Light	76, 77	VP36H1D21F __ S76	VP36H1D21F __ S77	\$ 2,929.	\$ 3,379.	\$ 3,849.
	Base Unit		VP36H1D21F __ N82	VP36H1D21F __ N83	\$ 2,599.	\$ 3,049.	\$ 3,529.
	With 2700K/ 4000K Night Light	82, 83	VP36H1D21F __ S82	VP36H1D21F __ S83	\$ 3,049.	\$ 3,529.	\$ 3,949.
7-1/2" H Vanity – Tip Out Drawer							
	Base Unit		VP36H1D21T __ N76	VP36H1D21T __ N77	\$ 2,499.	\$ 2,929.	\$ 3,379.
	With 2700K/ 4000K Night Light	76, 77	VP36H1D21T __ S76	VP36H1D21T __ S77	\$ 2,929.	\$ 3,379.	\$ 3,849.
	Base Unit		VP36H1D21T __ N82	VP36H1D21T __ N83	\$ 2,599.	\$ 3,049.	\$ 3,529.
	With 2700K/ 4000K Night Light	82, 83	VP36H1D21T __ S82	VP36H1D21T __ S83	\$ 3,049.	\$ 3,529.	\$ 3,949.
15" H Vanity – Plumbing Drawer							
	Base Unit		VP36H2D21P __ N76	VP36H2D21P __ N77	\$ 2,699.	\$ 3,179.	\$ 3,629.
	With 2700K/ 4000K Night Light	76, 77	VP36H2D21P __ S76	VP36H2D21P __ S77	\$ 3,179.	\$ 3,629.	\$ 4,099.
	Base Unit		VP36H2D21P __ N82	VP36H2D21P __ N83	\$ 2,829.	\$ 3,279.	\$ 3,749.
	With 2700K/ 4000K Night Light	82, 83	VP36H2D21P __ S82	VP36H2D21P __ S83	\$ 3,279.	\$ 3,749.	\$ 4,199.
15" H Vanity – Full Drawer, No Sink							
	Base Unit		VP36H2D21F __ N76	VP36H2D21F __ N77	\$ 2,699.	\$ 3,179.	\$ 3,629.
	With 2700K/ 4000K Night Light	76, 77	VP36H2D21F __ S76	VP36H2D21F __ S77	\$ 3,179.	\$ 3,629.	\$ 4,099.
	Base Unit		VP36H2D21F __ N82	VP36H2D21F __ N83	\$ 2,829.	\$ 3,279.	\$ 3,749.
	With 2700K/ 4000K Night Light	82, 83	VP36H2D21F __ S82	VP36H2D21F __ S83	\$ 3,279.	\$ 3,749.	\$ 4,199.

Vanity top, sink and side kits sold separately.

Fill in __ designator to Model listed above with desired color listed on the following page.
Example: VP36H2D21F26S76.

See Vanity Color/Finish Options, Vanity Tops, Accessories & Options on the following page.

Profiles® Vanity – VP36 – 36" W x 21" D

Vanity Glass Colors and Frame Finishes

Fill in __ designator to Model listed at left with desired color. Example: VP36H2D21F26S76.

Essentials Palette

- 10 Mirror
- 11 Tinted Gray Mirror
- 20 Black
- 21 White

Classic Palette

- 22 Beach
- 26 Matte White
- 27 Matte Gray
- 28 Matte Black

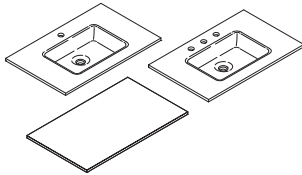
Inspire Palette

- 12 Satin Bronze
- 19 Satin White
- 23 Ocean

Frame Finishes

- 76 Chrome
- 77 Polished Nickel
- 82 Matte Gold
- 83 Matte Black

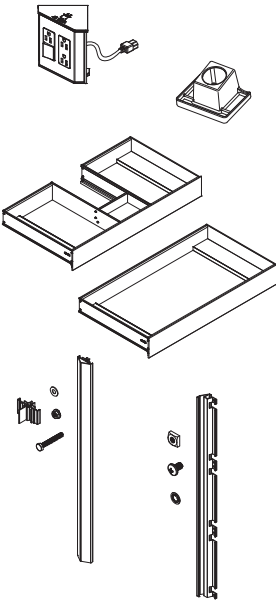
37" W x 22" D Vanity Tops – For 21" D Vanities



Description	For Use With Vanity	See Page
TF37UCO __ Engineered Stone Vanity Top	Plumbing & Tip Out Drawer	281
TF37G __ Engineered Stone Vanity Top (No Sink)	36" W Vanities	281

Undercounter Sink available for Custom Countertop – see page 286.
See Profiles Ganging Reference on page 226.

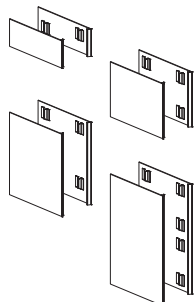
Add-On Accessories & Options



Description	Model	Price
Electric Accessory For use in 15" H plumbing or full drawer (H2)	VAELECTRIC21	\$ 499.
Hair Styling Organizer For use in 15" H plumbing (vessel only) or full drawer (H2)	VAHAIRORG	\$ 249.
Slim Drawer Insert For use in 15" H plumbing drawer (H2)	VADRAWER36P	\$ 849.
For use in 15" H full drawer (H2)	VADRAWER36X	\$ 849.
Note: Not for use with plumbing drawer undercounter sink installations or with Robern's stone vanity tops. Can be used in above-counter vessel installations.		
Vanity Ganging Kit – Hardware required when combining two or more vanities (each connection point)		
7-1/2" H	VMGKITH1	\$ 99.
15" H	VMGKITH2	\$ 99.
22-1/2" H	VMGKITH3	\$ 229.
30" H	VMGKITH4	\$ 229.
Vanity Alcove Finishing Kit – Hardware required for corner or alcove installations		
7-1/2" H	VMAKITH1	\$ 99.
15" H	VMAKITH2	\$ 99.
22-1/2" H	VMAKITH3	\$ 229.
30" H	VMAKITH4	\$ 229.

See additional Accessories on pages 301 – 303.

Vanity Side Kits (sold separately)



Description	Model	Essentials Palette	Classic Palette	Inspire Palette
Vanity Side Kits – Includes glass panel(s) & hardware (see Color Options above)				
Single, 7-1/2" H, 21" D	VM1SKH1D21- __	\$ 229.	\$ 299.	\$ 349.
Pair, 7-1/2" H, 21" D	VM2SKH1D21- __	\$ 349.	\$ 499.	\$ 599.
Single, 15" H, 21" D	VM1SKH2D21- __	\$ 299.	\$ 349.	\$ 449.
Pair, 15" H, 21" D	VM2SKH2D21- __	\$ 449.	\$ 549.	\$ 679.
Single, 22-1/2" H, 21" D	VM1SKH3D21- __	\$ 349.	\$ 449.	\$ 499.
Pair, 22-1/2" H, 21" D	VM2SKH3D21- __	\$ 599.	\$ 729.	\$ 849.
Single, 30" H, 21" D	VM1SKH4D21- __	\$ 449.	\$ 499.	\$ 549.
Pair, 30" H, 21" D	VM2SKH4D21- __	\$ 729.	\$ 849.	\$ 949.

Note: You must choose one side kit or alcove kit for every exposed side.

SEE PAGES 224 – 225 FOR TIPS & FEATURES.

Profiles® Vanity – VP36 – 36" W x 18" D



For those who want a high-functioning styling space, that pays homage to an age gone by, the Profiles Collection offers mirrored cabinets, mirrors, vanities, and task lighting in a wide assortment of sizes and finishes to meet the unique needs of any space.



Four Week Lead Time



Modular


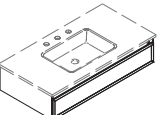
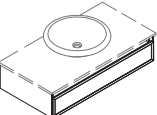
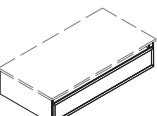
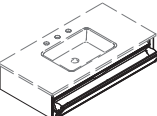
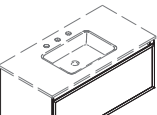
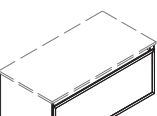


Electrical Outlet



Night Light

36-1/8" W x 18-3/4" D Vanity

Description	Frame Finish 76, 77, 82, 83	Models		Essentials Palette 10, 11, 20, 21 Price	Classic Palette 22, 26, 27, 28 Price	Inspire Palette 12, 19, 23 Price	
7-1/2" H Vanity – No Drawer, False Front							
 	Base Unit		VP36H1D18R__N76	VP36H1D18R__N77	\$ 1,999.	\$ 2,299.	\$ 2,599.
	With 2700K/ 4000K Night Light	76, 77	VP36H1D18R__S76	VP36H1D18R__S77	\$ 2,399.	\$ 2,729.	\$ 3,029.
	Base Unit		VP36H1D18R__N82	VP36H1D18R__N83	\$ 2,099.	\$ 2,399.	\$ 2,729.
	With 2700K/ 4000K Night Light	82, 83	VP36H1D18R__S82	VP36H1D18R__S83	\$ 2,499.	\$ 2,829.	\$ 3,129.
7-1/2" H Vanity – Plumbing Drawer, No Undercounter Sink							
	Base Unit		VP36H1D18P__N76	VP36H1D18P__N77	\$ 2,499.	\$ 2,929.	\$ 3,379.
	With 2700K/ 4000K Night Light	76, 77	VP36H1D18P__S76	VP36H1D18P__S77	\$ 2,929.	\$ 3,379.	\$ 3,849.
	Base Unit		VP36H1D18P__N82	VP36H1D18P__N83	\$ 2,599.	\$ 3,049.	\$ 3,529.
	With 2700K/ 4000K Night Light	82, 83	VP36H1D18P__S82	VP36H1D18P__S83	\$ 3,049.	\$ 3,529.	\$ 3,949.
7-1/2" H Vanity – Full Drawer, No Sink							
	Base Unit		VP36H1D18F__N76	VP36H1D18F__N77	\$ 2,499.	\$ 2,929.	\$ 3,379.
	With 2700K/ 4000K Night Light	76, 77	VP36H1D18F__S76	VP36H1D18F__S77	\$ 2,929.	\$ 3,379.	\$ 3,849.
	Base Unit		VP36H1D18F__N82	VP36H1D18F__N83	\$ 2,599.	\$ 3,049.	\$ 3,529.
	With 2700K/ 4000K Night Light	82, 83	VP36H1D18F__S82	VP36H1D18F__S83	\$ 3,049.	\$ 3,529.	\$ 3,949.
7-1/2" H Vanity – Tip Out Drawer							
	Base Unit		VP36H1D18T__N76	VP36H1D18T__N77	\$ 2,499.	\$ 2,929.	\$ 3,379.
	With 2700K/ 4000K Night Light	76, 77	VP36H1D18T__S76	VP36H1D18T__S77	\$ 2,929.	\$ 3,379.	\$ 3,849.
	Base Unit		VP36H1D18T__N82	VP36H1D18T__N83	\$ 2,599.	\$ 3,049.	\$ 3,529.
	With 2700K/ 4000K Night Light	82, 83	VP36H1D18T__S82	VP36H1D18T__S83	\$ 3,049.	\$ 3,529.	\$ 3,949.
15" H Vanity – Plumbing Drawer							
	Base Unit		VP36H2D18P__N76	VP36H2D18P__N77	\$ 2,699.	\$ 3,179.	\$ 3,629.
	With 2700K/ 4000K Night Light	76, 77	VP36H2D18P__S76	VP36H2D18P__S77	\$ 3,179.	\$ 3,629.	\$ 4,099.
	Base Unit		VP36H2D18P__N82	VP36H2D18P__N83	\$ 2,829.	\$ 3,279.	\$ 3,749.
	With 2700K/ 4000K Night Light	82, 83	VP36H2D18P__S82	VP36H2D18P__S83	\$ 3,279.	\$ 3,749.	\$ 4,199.
15" H Vanity – Full Drawer, No Sink							
	Base Unit		VP36H2D18F__N76	VP36H2D18F__N77	\$ 2,699.	\$ 3,179.	\$ 3,629.
	With 2700K/ 4000K Night Light	76, 77	VP36H2D18F__S76	VP36H2D18F__S77	\$ 3,179.	\$ 3,629.	\$ 4,099.
	Base Unit		VP36H2D18F__N82	VP36H2D18F__N83	\$ 2,829.	\$ 3,279.	\$ 3,749.
	With 2700K/ 4000K Night Light	82, 83	VP36H2D18F__S82	VP36H2D18F__S83	\$ 3,279.	\$ 3,749.	\$ 4,199.

Vanity top, sink and side kits sold separately.

Fill in __ designator to Model listed above with desired color listed on the following page.
Example: VP36H2D18F26S76.

See Vanity Color/Finish Options, Vanity Tops, Accessories & Options on the following page.

Profiles® Vanity – VP36 – 36" W x 18" D

Vanity Glass Colors and Frame Finishes

Fill in __ designator to Model listed at left with desired color. Example: VP36H2D18F26S76.

Essentials Palette

- 10 Mirror
- 11 Tinted Gray Mirror
- 20 Black
- 21 White

Classic Palette

- 22 Beach
- 26 Matte White
- 27 Matte Gray
- 28 Matte Black

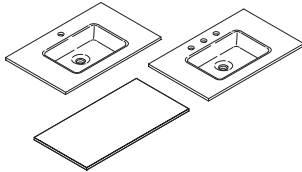
Inspire Palette

- 12 Satin Bronze
- 19 Satin White
- 23 Ocean

Frame Finishes

- 76 Chrome
- 77 Polished Nickel
- 82 Matte Gold
- 83 Matte Black

37" W x 19" D Vanity Tops – For 18" D Vanities



Description

TC37UCN __ Glass Vanity Top

For Use With Vanity

Plumbing & Tip Out Drawer

See Page

281

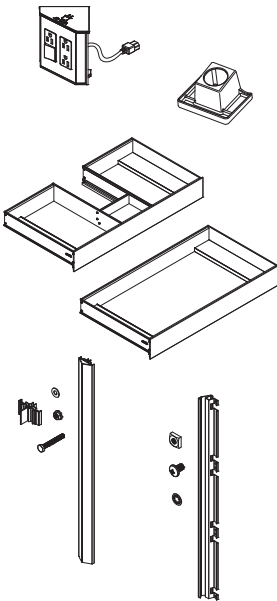
TE37G __ Engineered Stone Vanity Top
(No Sink)

36" W Vanities

281

**Undercounter Sink available for Custom Countertop – see page 286.
See Profiles Ganging Reference on page 226.**

Add-On Accessories & Options



Description

Electric Accessory

For use in 15" H plumbing or full drawer (H2)

Model

VAELECTRIC18

Price

\$ 499.

Hair Styling Organizer

For use in 15" H plumbing (vessel only) or full drawer (H2)

VAHAIRORG

\$ 249.

Slim Drawer Insert

For use in 15" H plumbing drawer (H2)

VADRAWER36P

\$ 849.

For use in 15" H full drawer (H2)

VADRAWER36X

\$ 849.

Note: Not for use with plumbing drawer undercounter sink installations or with Robern's stone vanity tops.
Can be used in above-counter vessel installations.

Vanity Ganging Kit – Hardware required when combining two or more vanities (each connection point)

7-1/2" H

VMGKITH1

\$ 99.

15" H

VMGKITH2

\$ 99.

22-1/2" H

VMGKITH3

\$ 229.

30" H

VMGKITH4

\$ 229.

Vanity Alcove Finishing Kit – Hardware required for corner or alcove installations

7-1/2" H

VMAKITH1

\$ 99.

15" H

VMAKITH2

\$ 99.

22-1/2" H

VMAKITH3

\$ 229.

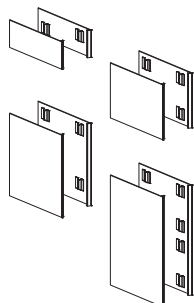
30" H

VMAKITH4

\$ 229.

See additional Accessories on pages 301 – 303.

Vanity Side Kits (sold separately)



Description

Model

Essentials Palette

Classic Palette

Inspire Palette

Vanity Side Kits – Includes glass panel(s) & hardware (see Color Options above)

Single, 7-1/2" H, 18" D

VM1SKH1D18-__

\$ 229.

\$ 299.

\$ 349.

Pair, 7-1/2" H, 18" D

VM2SKH1D18-__

\$ 349.

\$ 499.

\$ 599.

Single, 15" H, 18" D

VM1SKH2D18-__

\$ 299.

\$ 349.

\$ 449.

Pair, 15" H, 18" D

VM2SKH2D18-__

\$ 449.

\$ 549.

\$ 679.

Single, 22-1/2" H, 18" D

VM1SKH3D18-__

\$ 349.

\$ 449.

\$ 499.

Pair, 22-1/2" H, 18" D

VM2SKH3D18-__

\$ 599.

\$ 729.

\$ 849.

Single, 30" H, 18" D

VM1SKH4D18-__

\$ 449.

\$ 499.

\$ 549.

Pair, 30" H, 18" D

VM2SKH4D18-__

\$ 729.

\$ 849.

\$ 949.

Note: You must choose one side kit or alcove kit for every exposed side.

SEE PAGES 224 – 225 FOR TIPS & FEATURES.

Cartesian® Freestanding Vanities – Table of Contents, Tips & Features

NEW!

Table of Contents

Cartesian Freestanding Vanity Tips & Features	242 – 243
Cartesian Freestanding Vanity Model Number Worksheet	244
Cartesian Freestanding Vanities	246 – 247
24" Wide Cartesian Freestanding Vanity	246
30" Wide Cartesian Freestanding Vanity	246
36" Wide Cartesian Freestanding Vanity	246
Accessories & Options	247
Vanity Tops	279 – 286
Cartesian Vanity Undermount Bowl Space Availability	287
Vanity Accessories	300 – 303

Tips & Features

Dimensions & Weight

- Dimensions (W x H):*
24" x 34-1/2" (610 mm x 876 mm)
30" x 34-1/2" (762 mm x 876 mm)
36" x 34-1/2" (914 mm x 876 mm)
*Total vanity height: 34-1/2", drawer height = 22-1/2"
- Depth:
21-3/4" (552 mm)
- Net Weight: 80 – 98 lbs

Configurable Options

- Color Options:
Matte White, White, Reeded White,
Matte Gray, Tinted Gray Mirror
- Night Light:
No Night Light or Integrated LED Night Light in
selectable 2700 Kelvin/4000 Kelvin for top drawer

Features & Benefits

- Offered in three preconfigured sizes and five color options make product selection easy
- Match fixtures in your styling space with Chrome and Polished Nickel finishes for a coordinated look
- The tapered legs of the freestanding vanity are minimalist and understated, crafted with a mid-century modern appeal in polished stainless steel for versatility in design and coordination

Features & Benefits (Continued)

- The Polished Stainless Steel legs are durable and rust resistant with a smooth surface that is easy to clean
- The Polished Stainless Steel legs were designed to accommodate baseboard molding up to 3/4" thick
- The raised legs allow for ease of cleaning under the vanity
- False front drawer for H1 (7-1/2" H) maintains the vanity's design where a sink does not allow room for a drawer; plumbing slow-close drawer for H2 (15" H) allows clearance for the drain
- Uniquely designed handleless ergonomic drawer, allows for a comfortable feel and effortless operation
- Organization kit for H2 (15" H): two fully adjustable glass drawer dividers provide storage right where you need it and prevent items from moving and sliding in the drawer
- Night light option – integrated LED night light with light bar built into top frame of each drawer, provides soft light to illuminate drawer interior and for wayfinding light in selectable 2700 Kelvin/4000 Kelvin. Night light is ETL certified to UL 2108, CSA Standard C22.2 No. 12
- Electric accessory option: three plugs and a switch that turns off power to the unit to keep appliances safely plugged in



Cartesian® Freestanding Vanities – Tips & Features

Tips & Features (Continued)

Construction

- Durable rust-free anodized aluminum and glass construction – resists intense moisture, ensuring long-lasting beauty
- Slow-close full-extension slides combined with the durability of aluminum construction ensure smooth operation of the vanity drawers that will last a lifetime
- Glass fronts and side kits are replaceable
- Industrial grade installation hardware
- White shatter-protected glass drawer bottoms will not degrade or show wear. Glass dissipates heat to ensure confidence that hot items will not leave heat marks on the bottom of the drawers

Installation

- This installation may require more than one person
- Includes installation hardware and structural mounting hardware
- Special site preparation is required. Wall bracing and Robern supplied hardware are recommended
- The plumbing must be roughed into the plumbing cutout area of the vanity. Refer to the sink rough-in and the vanity rough-in for proper placement. The water supply and drain lines must be installed before installing the vanity
- Components needed for stacking are included with each vanity
- Each design offers the necessary 15" plumbing clearance needed to clear the pipes
- Night light (S) – 12VDC plug-in transformer. Option of two color temperatures for one night light: 2700 or 4000 Kelvin. The vanity is preconfigured at 2700K. Night light can be reconfigured to 4000K at time of installation, see installation instructions for more information
- Electric Accessory option: 120VAC 20A outlet – GFCI protected. Installed within 15" H (H2) vanity drawer; not recommended to be used in combination with Slim Drawer Insert; recommended in combination with Hair Styling Organizer
- Slim plumbing drawer insert must be used with an above-counter sink installation – includes four glass bins and only available for 15" H (H2) vanities
- Hair Styling Organizer fits all 15" H (H2) plumbing vanity drawers; cannot be used in combination with slim plumbing drawer insert; recommended in combination with Electric Accessory

Accessories

- In-drawer Electric accessory (VAELECTRIC21): ETL certified to UL 1363, CSA Standard C22.2 No. 21 – to be used in 15" H (H2) vanity drawers only
- Accessory Night Light in selectable 2700 Kelvin/4000 Kelvin (SLEDS24, SLEDS30, SLEDS36): Night light is ETL certified to UL 2108, CSA Standard C22.2 No. 12
- Hair Styling Organizer (VAHAIRORG): fits most hair dryers and curling irons – to be used in 15" H (H2) vanity drawers only
- Slim Plumbing Drawer insert with four glass bins (VADRAWER30P) – to be used in 15" H (H2) vanity drawers only
- Glass Bins: divided storage (GLASSBIN6.38), small (GLASSBIN3.25), medium (GLASSBIN5.25), large (GLASSBIN8.5)
- Glass top with integrated bowl or engineered stone tops with vitreous china sink
- Alcove finishing kits are required for corner or alcove installations and is available in 22-1/2" (H3) height



Cartesian® Freestanding Vanity Model Number Worksheet

FEATURES

Select Dimension (W x H):*
 24" x 22-1/2" (drawer height)
 30" x 22-1/2" (drawer height)
 36" x 22-1/2" (drawer height)

Select Depth:
 21"

Select Drawer Application:
 H1 Fixed Front, H2 Plumbing Drawer,
 H3 Side Kit Pair + Polished Stainless Steel Leg

Select Glass Color:
 Essentials Palette
 Tinted Gray Mirror
 White

Classic Palette
 Matte White
 Matte Gray
 Reeded White

Select Night Light Option:
 No Night Light
 Selectable Night Light
 (2700K/4000K)

MODEL	VM	D21	A
24H3			
30H3			
36H3			
D21			
A			
11			
21			
26			
27			
60			
N			
S			

Note:

* Total vanity height: 34-1/2"; vanity top sold separately.

CUSTOMER INFORMATION

Name _____

Address _____

City/State/Zip _____

Telephone _____

Date Ordered _____

Cartesian® Freestanding Vanity

NEW!



Combining classic elegance with easy installation, the Cartesian Freestanding Vanity is available in three sizes and five glass options that pair perfectly with the Polished Stainless Steel leg finish.

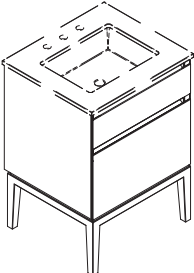
- Three preconfigured sizes and five color options
- Vanity sits on raised tapered legs
- Match fixtures with Polished Stainless Steel legs



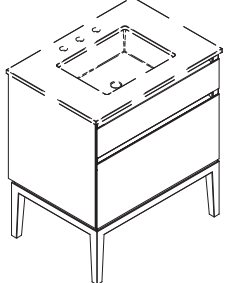
Available in a 2-week to 4-week lead time



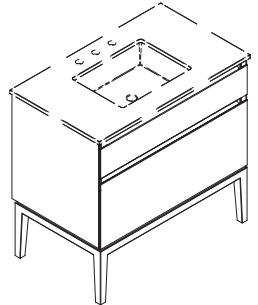
21-3/4" D Freestanding Vanity

Description	Models	Essentials Palette 11, 21 Price	Classic Palette 26, 27, 60 Price
24" W x 34-1/2" H Vanity – False Front Top Drawer, Plumbing Bottom Drawer, Polished Stainless Steel Legs			
 Base Unit	VM24H3D21A __ N	\$ 3,629.	\$ 4,449.
With 2700K/4000K Night Light	VM24H3D21A __ S	\$ 3,999.	\$ 4,829.

30" W x 34-1/2" H Vanity – False Front Top Drawer, Plumbing Bottom Drawer, Polished Stainless Steel Legs

 Base Unit	VM30H3D21A __ N	\$ 4,549.	\$ 5,379.
With 2700K/4000K Night Light	VM30H3D21A __ S	\$ 4,979.	\$ 5,799.

36" W x 34-1/2" H Vanity – False Front Top Drawer, Plumbing Bottom Drawer, Polished Stainless Steel Legs

 Base Unit	VM36H3D21A __ N	\$ 5,479.	\$ 6,299.
With 2700K/4000K Night Light	VM36H3D21A __ S	\$ 5,949.	\$ 6,749.

Vanity top and sink sold separately.

Fill in __ designator to Model listed above with desired color listed on the following page.
Example: VM24H3D21A27S.

See Vanity Color Options, Vanity Tops, Accessories & Options on the following page.

Cartesian® Freestanding Vanity

Vanity Glass Colors

Fill in __ designator to Model listed at left with desired color. Example: VM24H3D21A27S.

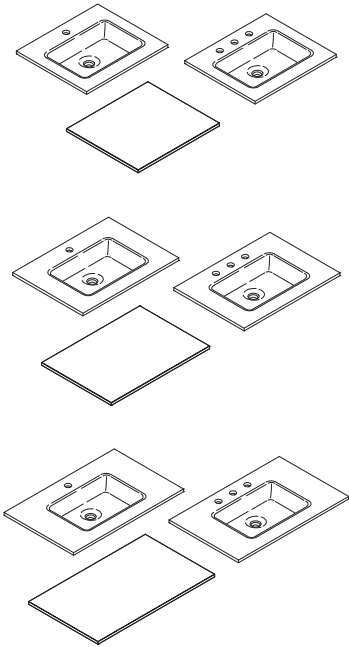
Essentials Palette

- 11 Tinted Gray Mirror
- 21 White

Classic Palette

- 26 Matte White
- 27 Matte Gray
- 60 Reeded White

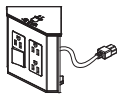
22" D Vanity Tops – For 21" D Vanities



Description	See Page
For 24" W Vanities	
TS25UCN __ Glass Vanity Top	279
TF25UCO __ Engineered Stone Vanity Top	279
TF25G __ Engineered Stone Vanity Top (No Sink)	279
For 30" W Vanities	
TS31UCN __ Glass Vanity Top	280
TF31UCO __ Engineered Stone Vanity Top	280
TF31G __ Engineered Stone Vanity Top (No Sink)	280
For 36" W Vanities	
TF37UCO __ Engineered Stone Vanity Top	281
TF37G __ Engineered Stone Vanity Top (No Sink)	281

Undercounter Sink available for Custom Countertop – see page 286

Add-On Accessories & Options



Description

Electric Accessory

For use in plumbing bottom drawer

Model

VAELECTRIC21

Price

\$ 499.

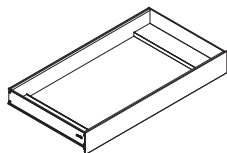


Hair Styling Organizer

For use in plumbing bottom drawer

VAHAIRORG

\$ 249.



Slim Drawer Insert

For use in 24" W vanity – plumbing bottom drawer

VADRAWER24P

\$ 679.

For use in 30" W vanity – plumbing bottom drawer

VADRAWER30P

\$ 779.

For use in 36" W vanity – plumbing bottom drawer

VADRAWER36P

\$ 849.

See additional Accessories on pages 301 – 303.

SEE PAGES 242 – 243 FOR TIPS & FEATURES.

Cartesian® Vanities – Table of Contents, Tips & Features

Table of Contents

Cartesian Vanity Tips & Features	248 – 249
Cartesian Vanity Ganging Reference	250 – 252
Cartesian Vanity Model Number Worksheet	253
Cartesian Vanities	254 – 267
12" Wide Cartesian Vanity	254 – 255
24" Wide Cartesian Vanity	256 – 259
30" Wide Cartesian Vanity	260 – 263
36" Wide Cartesian Vanity	264 – 267
Vanity Tops	279 – 286
Cartesian Vanity Undermount Bowl Space Availability	287
Vanity Accessories	300 – 303

Tips & Features

Dimensions & Weight

- Dimensions (W x H):*
 - 12-1/8" x 7-1/2" (308 mm x 191 mm)
 - 12-1/8" x 15" (308 mm x 381 mm)
 - 24-1/8" x 7-1/2" (613 mm x 191 mm)
 - 24-1/8" x 15" (613 mm x 381 mm)
 - 30-1/8" x 7-1/2" (765 mm x 191 mm)
 - 30-1/8" x 15" (765 mm x 381 mm)
 - 36-1/8" x 7-1/2" (918 mm x 191 mm)
 - 36-1/8" x 15" (918 mm x 381 mm)

*Width is with side kits installed

- Depth:
 - 18-3/4" (476 mm)
 - 21-3/4" (552 mm)
- Net Weight: 25 – 97 lbs

Configurable Options

- Decorative Glass Options:
 - mirror, 14 decorative gloss, matte and textured colors
- Night Light:
 - No Night Light or Integrated LED Night Light in selectable 2700 Kelvin/4000 Kelvin
- Drawer Application:
 - Choice of split plumbing (not available for 12" W drawer), full drawer or tip out drawer (7-1/2" H only, not available for 12" W drawer)
- No Drawer, False Front: 7-1/2" H only, **NEW!** not available for 12" W drawer

Features & Benefits

- Offered in limitless designs, these vanities are built to fit your preference and storage needs
- Modular vanities can be ganged or stacked to fit a variety of desired heights and widths (ganging kit required)
- Plumbing drawer to allow clearance for drain (not available for 12" W drawer); false fronts (7-1/2" height – H1 only, not available for 12" W drawer) maintain the vanity's design when a sink does not allow room for a drawer; tip out drawer (7-1/2" height – H1 only, not available for 12" W drawer) gives storage back by providing a drawer for smaller items and full drawer allows optimal storage solutions; full drawers are not designed to accept a sink or plumbing. Drawers are intended for ganging and stacking
- Uniquely designed handleless ergonomic drawer, allows for a comfortable feel and effortless operation
- H1 (7-1/2") vanities include five glass bins for plumbing drawers and four glass bins for full drawers; H2 (15") vanities include one glass bin with plumbing drawers; not available for 12" W vanities
- Organization kit for H2 (15" H): two fully adjustable glass drawer dividers provide storage right where you need it and prevent items from moving and sliding in the drawer
- Night Light Option – integrated LED night light with light bar built into top frame of each drawer, provides soft light to illuminate drawer interior and for wayfinding light in selectable 2700 Kelvin/4000 Kelvin. Night light is ETL certified to UL 2108, CSA Standard C22.2 No. 12
- Electric accessory option: three plugs and a switch that turns off power to the unit to keep appliances safely plugged in



Cartesian® Vanities – Tips & Features

Tips & Features (Continued)

Construction

- Durable rust-free anodized aluminum and glass construction – resists intense moisture, ensuring long-lasting beauty
- Slow-close full-extension slides combined with the durability of aluminum construction ensure smooth operation of the vanity drawers that will last a lifetime
- Constructed for wall hanging loads with stone tops
- Glass fronts and side kits are replaceable
- White shatter-protected glass drawer bottoms will not degrade or show wear. Glass dissipates heat to ensure confidence that hot items will not leave heat marks on the bottom of the drawers

Installation

- This installation may require more than one person
- Includes installation hardware and structural bolts
- Special site preparation is required. Wall bracing and Robern supplied hardware are recommended
- The plumbing must be roughed into the plumbing cutout area of the vanity. Refer to the sink rough-in and the vanity rough-in for proper placement. The water supply and drain lines must be installed before installing the vanity
- Components needed for stacking are included with each vanity
- Within a column, all vanities must stay the same width. Ganging kit required for each column connection point and is selected based on the connection height of the vanities. Each ganging kit is by 7-1/2" increments (H1 = 7-1/2", H2 = 15", H3 = 22-1/2", H4 = 30").
- Side kits are sold separately to allow for customization and are available individually or as pairs. You must choose one side kit or alcove kit for every exposed side.
- With a 7-1/2" H vanity, a tip out drawer must be used with an undercounter sink
- If stacking with a 7-1/2" tip out drawer, the second vanity must be a 7-1/2" plumbing drawer, a 15" plumbing drawer or a 15" full drawer as the first 15" needs plumbing clearance. If using 7-1/2" tip out for undercounter sink installation, slim plumbing drawer insert can be used with a 15" H plumbing drawer and still clear pipes.
- Night light option (S) – 12VDC plug-in transformer. Option of two color temperatures for one night light: 2700 or 4000 Kelvin. The vanity is preconfigured at 2700K. Night light can be reconfigured to 4000K at time of installation. See installation instructions for more information.

Installation (Continued)

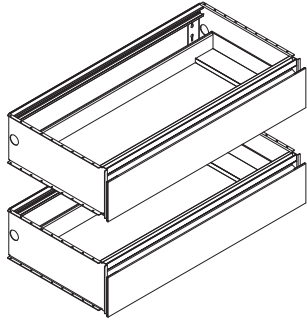
- Electric Accessory option: 120VAC 20A tamper resistant outlet. Installed within 15" H (H2) vanity drawer; not recommended to be used in combination with Slim Drawer Insert; recommended in combination with Hair Styling Organizer
- Slim plumbing drawer insert must be used with an above-counter sink installation; full drawer version can be used in a full drawer - includes four glass bins and only available for 15" H (H2) vanities
- Hair Styling Organizer fits all 15" H (H2) vanity drawers except 24" plumbing drawer; cannot be used in combination with slim drawer insert; recommended in combination with Electric Accessory

Accessories

- In-drawer Electric Accessory (VAELECTRIC18, VAELECTRIC21): ETL certified to UL 1363, CSA Standard C22.2 No. 21 – 15" H only
- Accessory Night Light in selectable 2700 Kelvin/4000 Kelvin (SLEDS12, SLEDS24, SLEDS30, SLEDS36): Night light is ETL certified to UL 2108, CSA Standard C22.2 No. 12
- Slim Plumbing Drawer Insert with five glass bins (VADRAWER24P, VADRAWER30P, VADRAWER36P) – 15" H only
- Slim Full Drawer Insert with four glass bins (VADRAWER12X, VADRAWER24X, VADRAWER30X, VADRAWER36X) – 15" H only
- Glass Bins: divided storage (GLASSBIN6.38), small (GLASSBIN3.25), medium (GLASSBIN5.25), large (GLASSBIN8.5)
- Hair Styling Organizer (VAHAIRORG): fits most hair dryers and curling irons – to be used in 15" H (H2) vanity drawers only
- Glass and engineered stone tops with porcelain sink
- Glass side kits sold separately as single units or as a pair. Available in 4 heights and 2 depths, and based on the final configuration of the vanity (7-1/2", 15", 22-1/2", 30").
- Ganging kits are required when combining two or more vanities and are available in 4 heights and based on the final configuration of the vanity (7-1/2", 15", 22-1/2", 30")
- Alcove finishing kits are required for corner or alcove installations and are available in 4 heights and based on the final configuration of the vanity (7-1/2", 15", 22-1/2", 30")
- Freestanding Leg Accessory: **NEW!** 22-1/2" H x 21" D vanities, not available for 12" W vanities

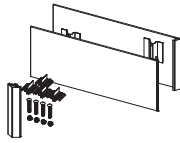


Cartesian® Ganging Reference



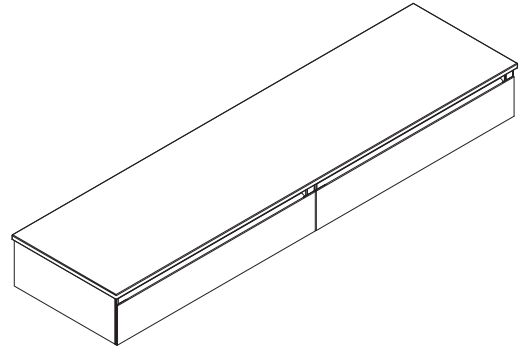
(2) VM36H1D18P ---

+

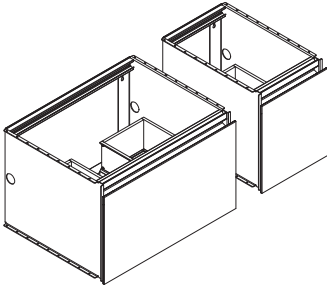


(1) VMGKITH1
(1) VM2SKH1D18- ---

=

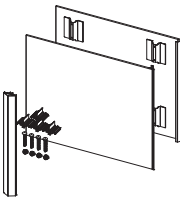


(1) TE73G --



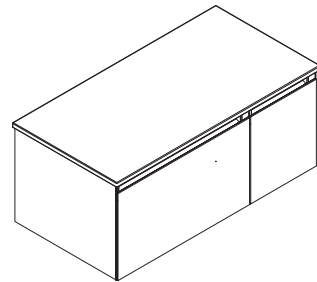
(1) VM24H2D18P ---
(1) VM12H2D18F ---

+

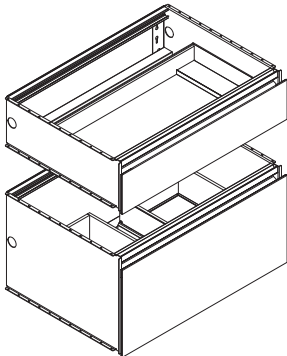


(1) VMGKITH2
(1) VM2SKH2D18- ---

=

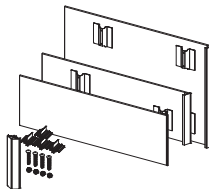


(1) TE37G --



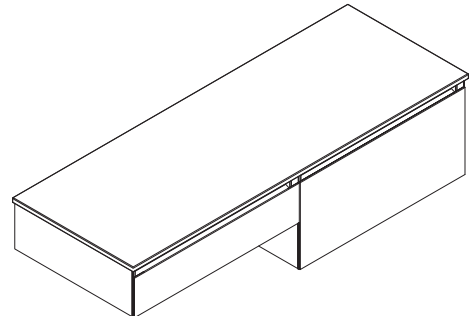
(1) VM30H1D21F ---
(1) VM30H2D21F ---

+

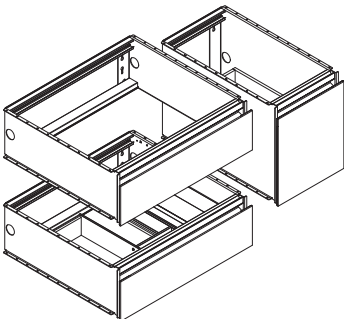


(1) VMGKITH1
(1) VM2SKH1D21- ---
(1) VM1SKH2D21- ---

=

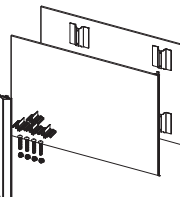


(1) TF61G --



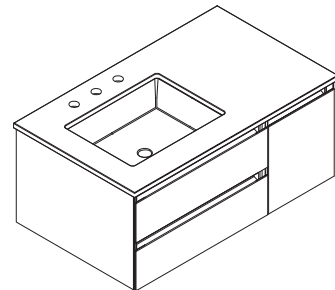
(1) VM24H1D21T ---
(1) VM24H1D21P ---
(1) VM12H2D21F ---

+



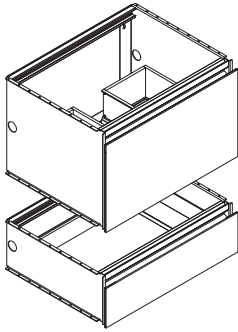
(1) VMGKITH2
(1) VM2SKH2D21- ---

=



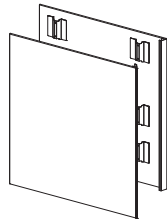
(1) TF37ULO -- -8

Cartesian® Ganging Reference



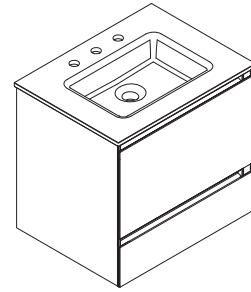
(1) VM24H2D21P
(1) VM24H1D21F

+

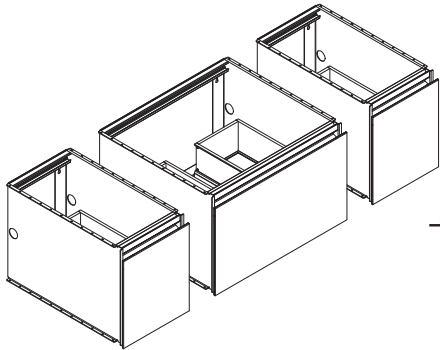


(1) VM2SKH3D21- ---

=

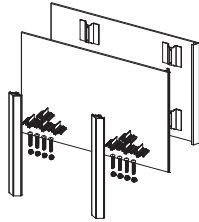


(1) TS25UCN21-8



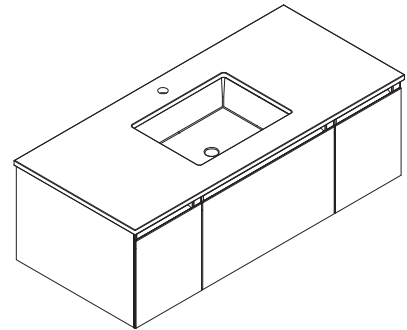
(1) VM24H2D21P
(2) VM12H2D21F

+

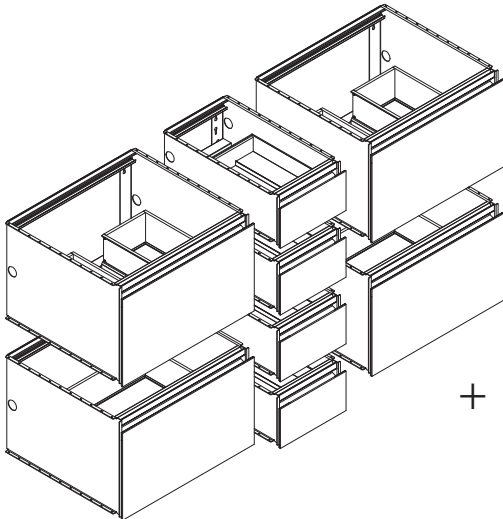


(1) VM2SKH2D21- ---
(2) VMGKITH2

=

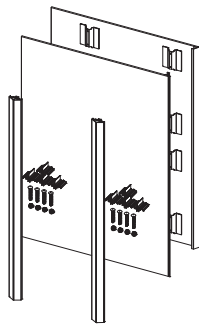


(1) TS49UCO ___ -1



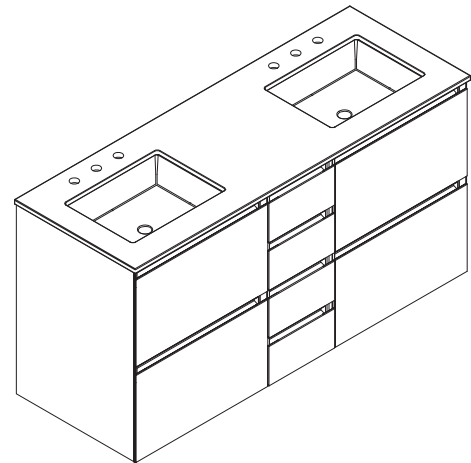
(2) VM24H2D21P
(2) VM24H2D21F
(4) VM12H1D21F

+



(1) VM2SKH4D21- ---
(2) VMGKITH4

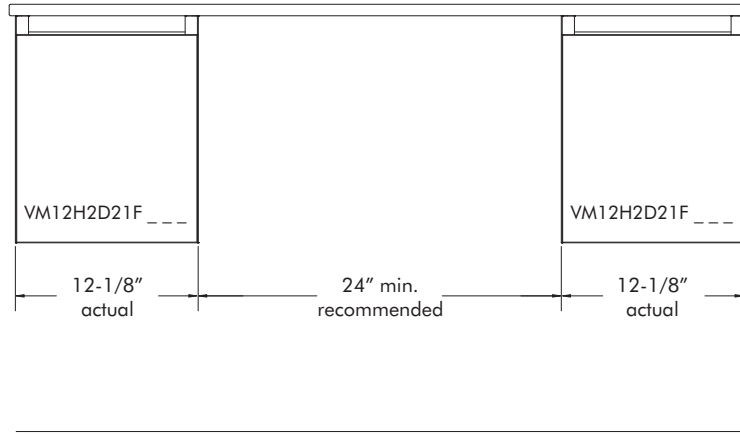
=



(1) TF61UDO ___ - 8D4

Vanities & Tops

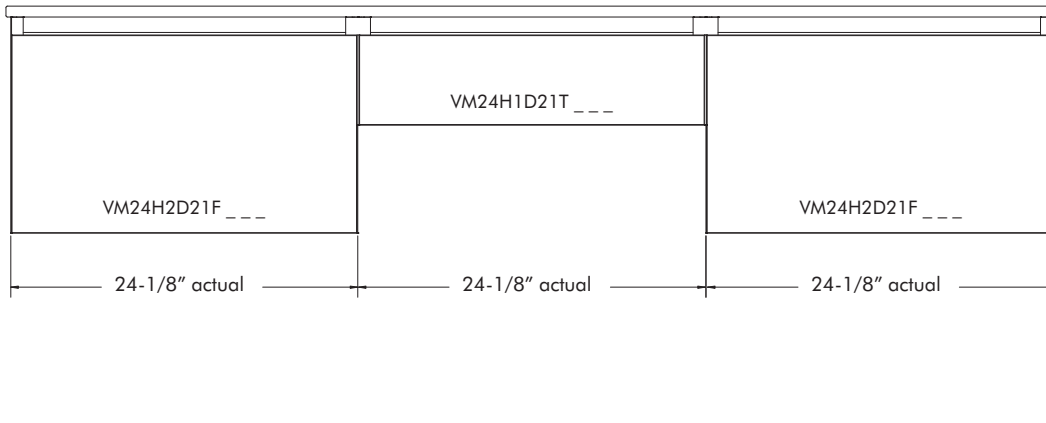
Example 1: Two 12" Wall-Hung Vanities



Example 1: Two 12" wide Cartesian vanities for a 48" wide vanity space:

- 12" wide VM + 24" wide space + 12" wide VM = 48" wide vanity space (48-1/4" actual width)

Example 2: Three 24" Wall-Hung Vanities



Example 2: Three 24" wide Cartesian vanities for a 72" wide vanity space:

- 24" wide VM + 24" wide VM + 24" wide VM = 72" wide vanity space (72-3/8" actual width)

For more guidance on our modular solutions, visit robern.com/modularity.

Cartesian® Vanity Model Number Worksheet

FEATURES

Select Dimension (W x H):

- 12" x 7-1/2"
- 12" x 15"

- 24" x 7-1/2"
- 24" x 15"

- 30" x 7-1/2"
- 30" x 15"

- 36" x 7-1/2"
- 36" x 15"

Select Depth:

- 18"
- 21"

Select Drawer Application:

- Plumbing
- Full
- Tip Out
- False Front

Select Glass Color:

- Essentials Palette
- Tinted Gray Mirror
- Black
- White

Classic Palette

- Beach
- Matte White
- Matte Gray
- Matte Black
- Reeded White
- Reeded Brass

Inspire Palette

- Satin Bronze
- Satin White
- Ocean
- Smoke Screen
- Silver Screen

Select Night Light Option:

- No Night Light
- Selectable Night Light (2700K/4000K)

MODEL VM

12H1

12H2

24H1

24H2

30H1

30H2

36H1

36H2

D18

D21

P

F

T*

R*

11

20

21

22

26

27

28

60**

61**

12

19

23

24

25

N

S

Notes:

* Tip Out Drawer and False Front only available in 7-1/2" height; vanity top sold separately.

** Not available with Selectable Night Light.

CUSTOMER INFORMATION

Name

Address

City/State/Zip

Telephone

Date Ordered

Cartesian® Vanity – VM12 – 12" W x 21" or 18" D



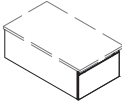
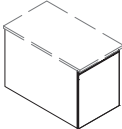
Meet the world's most accommodating vanity. Like the mathematical system that inspired its name, the Cartesian wall-mount vanity offers infinite possibilities for every dimension in your design. Customizable configurations ensure storage that perfectly suits your needs.

- Customize around your own needs. Modular design allows you to add or upgrade your existing vanity or nightstand and add new features to infinitely expand the functionality
- Provides task and way-finding light by using the night light option

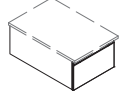
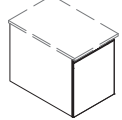


Available in a 2-week to 4-week lead time



12-1/8" W x 21-3/4" D Vanity		Essentials Palette	Classic Palette	Inspire Palette
Description	Model	10, 11, 20, 21 Price	22, 26, 27, 28, 60, 61 Price	12, 19, 23, 24, 25 Price
7-1/2" H x 21-3/4" D Vanity – Full Drawer, No Sink				
 Base Unit	VM12H1D21F__N	\$ 499.	\$ 979.	\$ 1,429.
With 2700K/4000K Night Light	VM12H1D21F__S	\$ 799.	\$ 1,249.	\$ 1,729.
15" H x 21-3/4" D Vanity – Full Drawer, No Sink				
 Base Unit	VM12H2D21F__N	\$ 749.	\$ 1,199.	\$ 1,679.
With 2700K/4000K Night Light	VM12H2D21F__S	\$ 1,029.	\$ 1,529.	\$ 1,949.

Vanity top and side kits sold separately.

12-1/8" W x 18-3/4" D Vanity		Essentials Palette	Classic Palette	Inspire Palette
Description	Model	10, 11, 20, 21 Price	22, 26, 27, 28, 60, 61 Price	12, 19, 23, 24, 25 Price
7-1/2" H x 18-3/4" D Vanity – Full Drawer, No Sink				
 Base Unit	VM12H1D18F__N	\$ 499.	\$ 979.	\$ 1,429.
With 2700K/4000K Night Light	VM12H1D18F__S	\$ 799.	\$ 1,249.	\$ 1,729.
15" H x 18-3/4" D Vanity – Full Drawer, No Sink				
 Base Unit	VM12H2D18F__N	\$ 749.	\$ 1,199.	\$ 1,679.
With 2700K/4000K Night Light	VM12H2D18F__S	\$ 1,029.	\$ 1,529.	\$ 1,949.

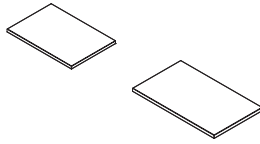
Vanity top and side kits sold separately.

Vanity Color Options		
Fill in __ designator to Model listed above with desired color. Example: VM12H1D21F19N.		
Essentials Palette	Classic Palette	Inspire Palette
10 Mirror	22 Beach	12 Satin Bronze
11 Tinted Gray Mirror	26 Matte White	19 Satin White
20 Black	27 Matte Gray	23 Ocean
21 White	28 Matte Black	24 Smoke Screen
	60 Reeded White	25 Silver Screen
	61 Reeded Brass	

See Vanity Tops, Accessories & Options on the following page.

Cartesian® Vanity – VM12 – 12" W x 21" or 18" D

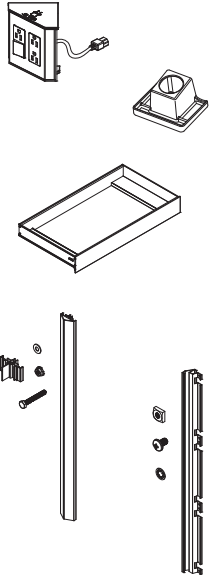
13" W x 19" D & 13" W x 22" D Vanity Tops



Description	For Use With Vanity	See Page
TE13G __ Engineered Stone Vanity Top (No Sink)	18" D, 12" W Vanities	279
TF13G __ Engineered Stone Vanity Top (No Sink)	21" D, 12" W Vanities	279

See Cartesian Ganging Reference on pages 250 – 252.

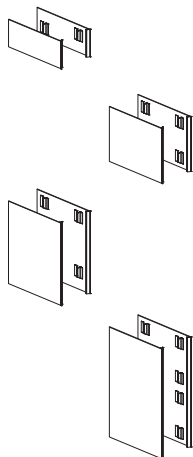
Add-On Accessories & Options



Description	Model	Price
Electric Accessory		
For use in 21" D drawer, with 15" H vanity (H2)	VAELECTRIC21	\$ 499.
For use in 18" D drawer, with 15" H vanity (H2)	VAELECTRIC18	\$ 499.
Hair Styling Organizer		
For use in 15" H drawer (H2)	VAHAIRORG	\$ 249.
Slim Drawer Insert		
For use in 15" H drawer (H2)	VADRAWER12X	\$ 549.
Vanity Ganging Kit – Hardware required when combining two or more vanities (each connection point)		
7-1/2" H	VMGKITH1	\$ 99.
15" H	VMGKITH2	\$ 99.
22-1/2" H	VMGKITH3	\$ 229.
30" H	VMGKITH4	\$ 229.
Vanity Alcove Finishing Kit – Hardware required for corner or alcove installations		
7-1/2" H	VMAKITH1	\$ 99.
15" H	VMAKITH2	\$ 99.
22-1/2" H	VMAKITH3	\$ 229.
30" H	VMAKITH4	\$ 229.

See additional Accessories on pages 301 – 303.

Vanity Side Kits (sold separately)



Description	Model	Essentials Palette	Classic Palette	Inspire Palette
Vanity Side Kits – Includes glass panel(s) & hardware (see Color Options above)				
Single, 7-1/2" H, 21" D	VM1SKH1D21- __	\$ 229.	\$ 299.	\$ 349.
Pair, 7-1/2" H, 21" D	VM2SKH1D21- __	\$ 349.	\$ 499.	\$ 599.
Single, 7-1/2" H, 18" D	VM1SKH1D18- __	\$ 229.	\$ 299.	\$ 349.
Pair, 7-1/2" H, 18" D	VM2SKH1D18- __	\$ 349.	\$ 499.	\$ 599.
Single, 15" H, 21" D	VM1SKH2D21- __	\$ 299.	\$ 349.	\$ 449.
Pair, 15" H, 21" D	VM2SKH2D21- __	\$ 449.	\$ 549.	\$ 679.
Single, 15" H, 18" D	VM1SKH2D18- __	\$ 299.	\$ 349.	\$ 449.
Pair, 15" H, 18" D	VM2SKH2D18- __	\$ 449.	\$ 549.	\$ 679.
Single, 22-1/2" H, 21" D	VM1SKH3D21- __	\$ 349.	\$ 449.	\$ 499.
Pair, 22-1/2" H, 21" D	VM2SKH3D21- __	\$ 599.	\$ 729.	\$ 849.
Single, 22-1/2" H, 18" D	VM1SKH3D18- __	\$ 349.	\$ 449.	\$ 499.
Pair, 22-1/2" H, 18" D	VM2SKH3D18- __	\$ 599.	\$ 729.	\$ 849.
Single, 30" H, 21" D	VM1SKH4D21- __	\$ 449.	\$ 499.	\$ 549.
Pair, 30" H, 21" D	VM2SKH4D21- __	\$ 729.	\$ 849.	\$ 949.
Single, 30" H, 18" D	VM1SKH4D18- __	\$ 449.	\$ 499.	\$ 549.
Pair, 30" H, 18" D	VM2SKH4D18- __	\$ 729.	\$ 849.	\$ 949.

Note: You must choose one side kit or alcove kit for every exposed side.

SEE PAGES 248 – 249 FOR TIPS & FEATURES.

Cartesian® Vanity – VM24 – 24" W x 21" D



Meet the world's most accommodating vanity. Like the mathematical system that inspired its name, the Cartesian wall-mount vanity offers infinite possibilities for every dimension in your design. Customizable configurations ensure storage that perfectly suits your needs.



Available in a 2-week to 4-week lead time



Modular



Electrical Outlet



Night Light

24-1/8" W x 21-3/4" D Vanity

	Description	Model	Essentials Palette 10, 11, 20, 21 Price	Classic Palette 22, 26, 27, 28, 60, 61 Price	Inspire Palette 12, 19, 23, 24, 25 Price
7-1/2" H Vanity – No Drawer, False Front					
	Base Unit	VM24H1D21R__N	\$ 729.	\$ 1,029.	\$ 1,329.
	With 2700K/4000K Night Light	VM24H1D21R__S	\$ 1,029.	\$ 1,329.	\$ 1,649.
7-1/2" H Vanity – Plumbing Drawer, No Undercounter Sink					
	Base Unit	VM24H1D21P__N	\$ 1,079.	\$ 1,579.	\$ 1,999.
	With 2700K/4000K Night Light	VM24H1D21P__S	\$ 1,429.	\$ 1,899.	\$ 2,349.
7-1/2" H Vanity – Full Drawer, No Sink					
	Base Unit	VM24H1D21F__N	\$ 1,079.	\$ 1,579.	\$ 1,999.
	With 2700K/4000K Night Light	VM24H1D21F__S	\$ 1,429.	\$ 1,899.	\$ 2,349.
7-1/2" H Vanity – Tip Out Drawer					
	Base Unit	VM24H1D21T__N	\$ 1,079.	\$ 1,579.	\$ 1,999.
	With 2700K/4000K Night Light	VM24H1D21T__S	\$ 1,429.	\$ 1,899.	\$ 2,349.
15" H Vanity – Plumbing Drawer					
	Base Unit	VM24H2D21P__N	\$ 1,299.	\$ 1,779.	\$ 2,249.
	With 2700K/4000K Night Light	VM24H2D21P__S	\$ 1,679.	\$ 2,149.	\$ 2,599.
15" H Vanity – Full Drawer, No Sink					
	Base Unit	VM24H2D21F__N	\$ 1,299.	\$ 1,779.	\$ 2,249.
	With 2700K/4000K Night Light	VM24H2D21F__S	\$ 1,679.	\$ 2,149.	\$ 2,599.

Vanity top, sink and side kits sold separately.

Vanity Color Options

Fill in __ designator to Model listed above with desired color. Example: VM24H2D21P28N.

Essentials Palette

- 10 Mirror
- 11 Tinted Gray Mirror
- 20 Black
- 21 White

Classic Palette

- 22 Beach
- 26 Matte White
- 27 Matte Gray
- 28 Matte Black
- 60 Reeded White
- 61 Reeded Brass

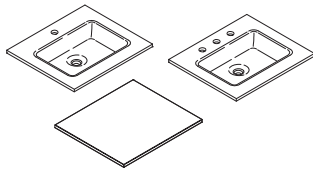
Inspire Palette

- 12 Satin Bronze
- 19 Satin White
- 23 Ocean
- 24 Smoke Screen
- 25 Silver Screen

See Vanity Tops, Accessories & Options on the following page.

Cartesian® Vanity – VM24 – 24" W x 21" D

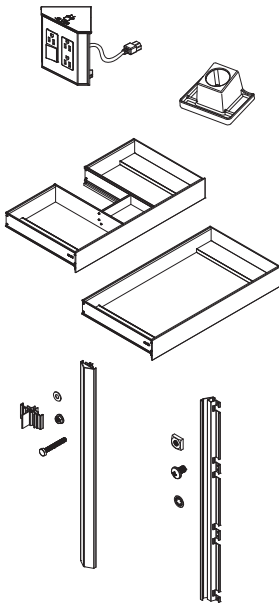
25" W x 22" D Vanity Tops – For 21" D Vanities



Description	For Use With Vanity	See Page
TS25UCN __ Glass Vanity Top	Plumbing & Tip Out Drawer	279
TF25UCO __ Engineered Stone Vanity Top	Plumbing & Tip Out Drawer	279
TF25G __ Engineered Stone Vanity Top (No Sink)	24" W Vanities	279

**Undercounter Sink available for Custom Countertop – see page 286.
See Cartesian Ganging Reference on pages 250 – 252.**

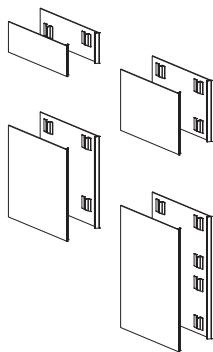
Add-On Accessories & Options



Description	Model	Price
Electric Accessory		
For use in 15" H plumbing or full drawer (H2)	VAELECTRIC21	\$ 499.
Hair Styling Organizer		
For use in 15" H full drawer (H2)	VAHAIRORG	\$ 249.
Slim Drawer Insert		
For use in 15" H plumbing drawer (H2)	VADRAWER24P	\$ 679.
For use in 15" H full drawer (H2)	VADRAWER24X	\$ 679.
Note: Not for use with plumbing drawer undercounter sink installations or with Robern's stone vanity tops. Can be used in above-counter vessel installations.		
Vanity Ganging Kit – Hardware required when combining two or more vanities (each connection point)		
7-1/2" H	VMGKITH1	\$ 99.
15" H	VMGKITH2	\$ 99.
22-1/2" H	VMGKITH3	\$ 229.
30" H	VMGKITH4	\$ 229.
Vanity Alcove Finishing Kit – Hardware required for corner or alcove installations		
7-1/2" H	VMAKITH1	\$ 99.
15" H	VMAKITH2	\$ 99.
22-1/2" H	VMAKITH3	\$ 229.
30" H	VMAKITH4	\$ 229.

See additional Accessories on pages 301 – 303.

Vanity Side Kits (sold separately)



Description	Model	Essentials Palette	Classic Palette	Inspire Palette
Vanity Side Kits – Includes glass panel(s) & hardware (see Color Options on previous page)				
Single, 7-1/2" H, 21" D	VM1SKH1D21- __	\$ 229.	\$ 299.	\$ 349.
Pair, 7-1/2" H, 21" D	VM2SKH1D21- __	\$ 349.	\$ 499.	\$ 599.
Single, 15" H, 21" D	VM1SKH2D21- __	\$ 299.	\$ 349.	\$ 449.
Pair, 15" H, 21" D	VM2SKH2D21- __	\$ 449.	\$ 549.	\$ 679.
Single, 22-1/2" H, 21" D	VM1SKH3D21- __	\$ 349.	\$ 449.	\$ 499.
Pair, 22-1/2" H, 21" D	VM2SKH3D21- __	\$ 599.	\$ 729.	\$ 849.
Single, 30" H, 21" D	VM1SKH4D21- __	\$ 449.	\$ 499.	\$ 549.
Pair, 30" H, 21" D	VM2SKH4D21- __	\$ 729.	\$ 849.	\$ 949.

Note: You must choose one side kit or alcove kit for every exposed side.

SEE PAGES 248 – 249 FOR TIPS & FEATURES.

Cartesian® Vanity – VM24 – 24" W x 18" D



Meet the world's most accommodating vanity. Like the mathematical system that inspired its name, the Cartesian wall-mount vanity offers infinite possibilities for every dimension in your design. Customizable configurations ensure storage that perfectly suits your needs.



Available in a 2-week to 4-week lead time



Modular

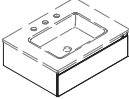
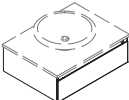
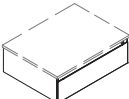
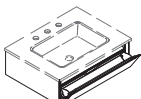
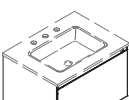
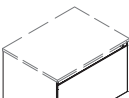


Electrical Outlet



Night Light

24-1/8" W x 18-3/4" D Vanity

	Description	Model	Essentials Palette 10, 11, 20, 21 Price	Classic Palette 22, 26, 27, 28, 60, 61 Price	Inspire Palette 12, 19, 23, 24, 25 Price
7-1/2" H Vanity – No Drawer, False Front					
	Base Unit	VM24H1D18R__N	\$ 729.	\$ 1,029.	\$ 1,329.
	With 2700K/4000K Night Light	VM24H1D18R__S	\$ 1,029.	\$ 1,329.	\$ 1,649.
7-1/2" H Vanity – Plumbing Drawer, No Undercounter Sink					
	Base Unit	VM24H1D18P__N	\$ 1,079.	\$ 1,579.	\$ 1,999.
	With 2700K/4000K Night Light	VM24H1D18P__S	\$ 1,429.	\$ 1,899.	\$ 2,349.
7-1/2" H Vanity – Full Drawer, No Sink					
	Base Unit	VM24H1D18F__N	\$ 1,079.	\$ 1,579.	\$ 1,999.
	With 2700K/4000K Night Light	VM24H1D18F__S	\$ 1,429.	\$ 1,899.	\$ 2,349.
7-1/2" H Vanity – Tip Out Drawer					
	Base Unit	VM24H1D18T__N	\$ 1,079.	\$ 1,579.	\$ 1,999.
	With 2700K/4000K Night Light	VM24H1D18T__S	\$ 1,429.	\$ 1,899.	\$ 2,349.
15" H Vanity – Plumbing Drawer					
	Base Unit	VM24H2D18P__N	\$ 1,299.	\$ 1,779.	\$ 2,249.
	With 2700K/4000K Night Light	VM24H2D18P__S	\$ 1,679.	\$ 2,149.	\$ 2,599.
15" H Vanity – Full Drawer, No Sink					
	Base Unit	VM24H2D18F__N	\$ 1,299.	\$ 1,779.	\$ 2,249.
	With 2700K/4000K Night Light	VM24H2D18F__S	\$ 1,679.	\$ 2,149.	\$ 2,599.

Vanity top, sink and side kits sold separately.

Vanity Color Options

Fill in __ designator to Model listed above with desired color. Example: VM24H2D18P28N.

Essentials Palette

- 10 Mirror
- 11 Tinted Gray Mirror
- 20 Black
- 21 White

Classic Palette

- 22 Beach
- 26 Matte White
- 27 Matte Gray
- 28 Matte Black
- 60 Reeded White
- 61 Reeded Brass

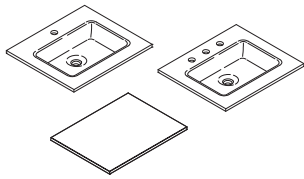
Inspire Palette

- 12 Satin Bronze
- 19 Satin White
- 23 Ocean
- 24 Smoke Screen
- 25 Silver Screen

See Vanity Tops, Accessories & Options on the following page.

Cartesian® Vanity – VM24 – 24" W x 18" D

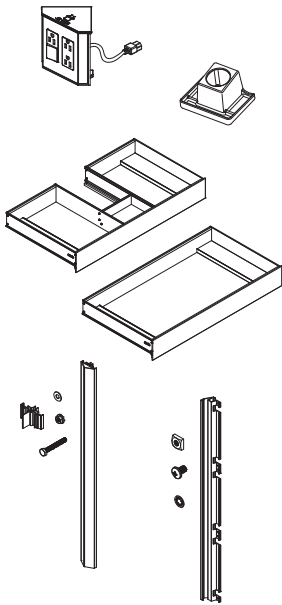
25" W x 19" D Vanity Tops – For 18" D Vanities



Description	For Use With Vanity	See Page
TC25UCN __ Glass Vanity Top	Plumbing & Tip Out Drawer	279
TE25G __ Engineered Stone Vanity Top (No Sink)	24" W Vanities	279

**Undercounter Sink available for Custom Countertop – see page 286.
See Cartesian Ganging Reference on pages 250 – 252.**

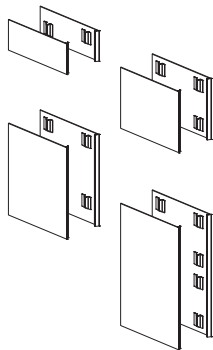
Add-On Accessories & Options



Description	Model	Price
Electric Accessory For use in 15" H plumbing or full drawer (H2)	VAELECTRIC18	\$ 499.
Hair Styling Organizer For use in 15" H full drawer (H2)	VAHAIRORG	\$ 249.
Slim Drawer Insert For use in 15" H plumbing drawer (H2)	VADRAWER24P	\$ 679.
For use in 15" H full drawer (H2)	VADRAWER24X	\$ 679.
Note: Not for use with plumbing drawer undercounter sink installations or with Robern's stone vanity tops. Can be used in above-counter vessel installations.		
Vanity Ganging Kit – Hardware required when combining two or more vanities (each connection point)		
7-1/2" H	VMGKITH1	\$ 99.
15" H	VMGKITH2	\$ 99.
22-1/2" H	VMGKITH3	\$ 229.
30" H	VMGKITH4	\$ 229.
Vanity Alcove Finishing Kit – Hardware required for corner or alcove installations		
7-1/2" H	VMAKITH1	\$ 99.
15" H	VMAKITH2	\$ 99.
22-1/2" H	VMAKITH3	\$ 229.
30" H	VMAKITH4	\$ 229.

See additional Accessories on pages 301 – 303.

Vanity Side Kits (sold separately)



Description	Model	Essentials Palette	Classic Palette	Inspire Palette
Vanity Side Kits – Includes glass panel(s) & hardware (see Color Options on previous page)				
Single, 7-1/2" H, 18" D	VM1SKH1D18-__	\$ 229.	\$ 299.	\$ 349.
Pair, 7-1/2" H, 18" D	VM2SKH1D18-__	\$ 349.	\$ 499.	\$ 599.
Single, 15" H, 18" D	VM1SKH2D18-__	\$ 299.	\$ 349.	\$ 449.
Pair, 15" H, 18" D	VM2SKH2D18-__	\$ 449.	\$ 549.	\$ 679.
Single, 22-1/2" H, 18" D	VM1SKH3D18-__	\$ 349.	\$ 449.	\$ 499.
Pair, 22-1/2" H, 18" D	VM2SKH3D18-__	\$ 599.	\$ 729.	\$ 849.
Single, 30" H, 18" D	VM1SKH4D18-__	\$ 449.	\$ 499.	\$ 549.
Pair, 30" H, 18" D	VM2SKH4D18-__	\$ 729.	\$ 849.	\$ 949.

Note: You must choose one side kit or alcove kit for every exposed side.

SEE PAGES 248 – 249 FOR TIPS & FEATURES.

Cartesian® Vanity – VM30 – 30" W x 21" D



Meet the world's most accommodating vanity. Like the mathematical system that inspired its name, the Cartesian wall-mount vanity offers infinite possibilities for every dimension in your design. Customizable configurations ensure storage that perfectly suits your needs.



Available in a 2-week to 4-week lead time



Modular

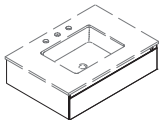
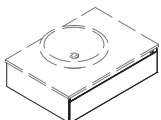
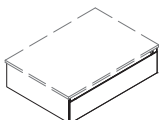
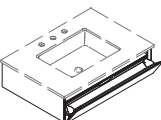
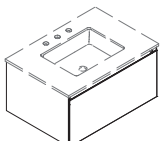
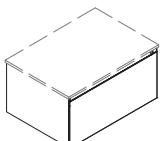


Electrical Outlet



Night Light

30-1/8" W x 21-3/4" D Vanity

Description		Model	Essentials Palette 10, 11, 20, 21 Price	Classic Palette 22, 26, 27, 28, 60, 61 Price	Inspire Palette 12, 19, 23, 24, 25 Price
7-1/2" H Vanity – No Drawer, False Front					
	Base Unit	VM30H1D21R__N	\$ 1,029.	\$ 1,329.	\$ 1,649.
	With 2700K/4000K Night Light	VM30H1D21R__S	\$ 1,329.	\$ 1,649.	\$ 1,949.
7-1/2" H Vanity – Plumbing Drawer, No Undercounter Sink					
	Base Unit	VM30H1D21P__N	\$ 1,679.	\$ 2,149.	\$ 2,599.
	With 2700K/4000K Night Light	VM30H1D21P__S	\$ 2,049.	\$ 2,549.	\$ 2,979.
7-1/2" H Vanity – Full Drawer, No Sink					
	Base Unit	VM30H1D21F__N	\$ 1,679.	\$ 2,149.	\$ 2,599.
	With 2700K/4000K Night Light	VM30H1D21F__S	\$ 2,049.	\$ 2,549.	\$ 2,979.
7-1/2" H Vanity – Tip Out Drawer					
	Base Unit	VM30H1D21T__N	\$ 1,679.	\$ 2,149.	\$ 2,599.
	With 2700K/4000K Night Light	VM30H1D21T__S	\$ 2,049.	\$ 2,549.	\$ 2,979.
15" H Vanity – Plumbing Drawer					
	Base Unit	VM30H2D21P__N	\$ 1,899.	\$ 2,349.	\$ 2,829.
	With 2700K/4000K Night Light	VM30H2D21P__S	\$ 2,299.	\$ 2,779.	\$ 3,229.
15" H Vanity – Full Drawer, No Sink					
	Base Unit	VM30H2D21F__N	\$ 1,899.	\$ 2,349.	\$ 2,829.
	With 2700K/4000K Night Light	VM30H2D21F__S	\$ 2,299.	\$ 2,779.	\$ 3,229.

Vanity top, sink and side kits sold separately.

Vanity Color Options

Fill in __ designator to Model listed above with desired color. Example: VM30H1D21T20L.

Essentials Palette

- 10 Mirror
- 11 Tinted Gray Mirror
- 20 Black
- 21 White

Classic Palette

- 22 Beach
- 26 Matte White
- 27 Matte Gray
- 28 Matte Black
- 60 Reeded White
- 61 Reeded Brass

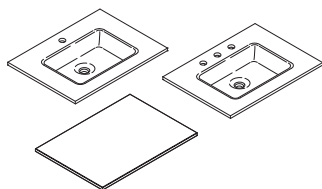
Inspire Palette

- 12 Satin Bronze
- 19 Satin White
- 23 Ocean
- 24 Smoke Screen
- 25 Silver Screen

See Vanity Tops, Accessories & Options on the following page.

Cartesian® Vanity – VM30 – 30" W x 21" D

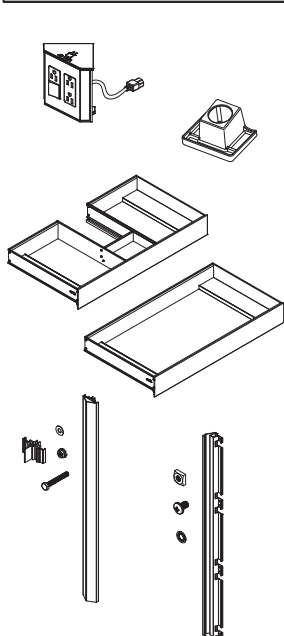
31" W x 22" D Vanity Tops – For 21" D Vanities



Description	For Use With Vanity	See Page
TS31UCN __ Glass Vanity Top	Plumbing & Tip Out Drawer	280
TF31UCO __ Engineered Stone Vanity Top	Plumbing & Tip Out Drawer	280
TF31G __ Engineered Stone Vanity Top (No Sink)	30" W Vanities	280

**Undercounter Sink available for Custom Countertop – see page 286.
See Cartesian Ganging Reference on pages 250 – 252.**

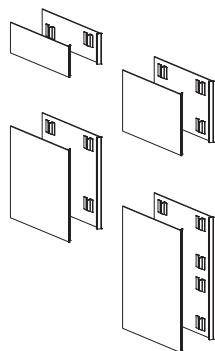
Add-On Accessories & Options



Description	Model	Price
Electric Accessory		
For use in 15" H plumbing or full drawer (H2)	VAELECTRIC21	\$ 499.
Hair Styling Organizer		
For use in 15" H plumbing (vessel only) or full drawer (H2)	VAHAIRORG	\$ 249.
Slim Drawer Insert		
For use in 15" H plumbing drawer (H2)	VADRAWER30P	\$ 779.
For use in 15" H full drawer (H2)	VADRAWER30X	\$ 779.
Note: Not for use with plumbing drawer undercounter sink installations or with Robern's stone vanity tops. Can be used in above-counter vessel installations.		
Vanity Ganging Kit – Hardware required when combining two or more vanities (each connection point)		
7-1/2" H	VMGKITH1	\$ 99.
15" H	VMGKITH2	\$ 99.
22-1/2" H	VMGKITH3	\$ 229.
30" H	VMGKITH4	\$ 229.
Vanity Alcove Finishing Kit – Hardware required for corner or alcove installations		
7-1/2" H	VMAKITH1	\$ 99.
15" H	VMAKITH2	\$ 99.
22-1/2" H	VMAKITH3	\$ 229.
30" H	VMAKITH4	\$ 229.

See additional Accessories on pages 301 – 303.

Vanity Side Kits (sold separately)



Description	Model	Essentials Palette	Classic Palette	Inspire Palette
Vanity Side Kits – Includes glass panel(s) & hardware (see Color Options on previous page)				
Single, 7-1/2" H, 21" D	VM1SKH1D21- __	\$ 229.	\$ 299.	\$ 349.
Pair, 7-1/2" H, 21" D	VM2SKH1D21- __	\$ 349.	\$ 499.	\$ 599.
Single, 15" H, 21" D	VM1SKH2D21- __	\$ 299.	\$ 349.	\$ 449.
Pair, 15" H, 21" D	VM2SKH2D21- __	\$ 449.	\$ 549.	\$ 679.
Single, 22-1/2" H, 21" D	VM1SKH3D21- __	\$ 349.	\$ 449.	\$ 499.
Pair, 22-1/2" H, 21" D	VM2SKH3D21- __	\$ 599.	\$ 729.	\$ 849.
Single, 30" H, 21" D	VM1SKH4D21- __	\$ 449.	\$ 499.	\$ 549.
Pair, 30" H, 21" D	VM2SKH4D21- __	\$ 729.	\$ 849.	\$ 949.

Note: You must choose one side kit or alcove kit for every exposed side.

SEE PAGES 248 – 249 FOR TIPS & FEATURES.

Cartesian® Vanity – VM30 – 30" W x 18" D



Meet the world's most accommodating vanity. Like the mathematical system that inspired its name, the Cartesian wall-mount vanity offers infinite possibilities for every dimension in your design. Customizable configurations ensure storage that perfectly suits your needs.



Available in a 2-week to 4-week lead time



Modular

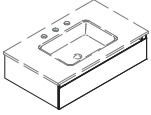
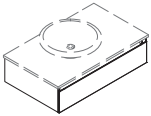
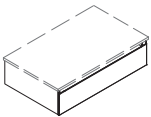
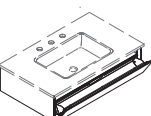
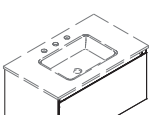



Electrical Outlet



Night Light

30-1/8" W x 18-3/4" D Vanity

Description		Model	Essentials Palette 10, 11, 20, 21 Price	Classic Palette 22, 26, 27, 28, 60, 61 Price	Inspire Palette 12, 19, 23, 24, 25 Price
7-1/2" H Vanity – No Drawer, False Front					
	Base Unit	VM30H1D18R__N	\$ 1,029.	\$ 1,329.	\$ 1,649.
	With 2700K/4000K Night Light	VM30H1D18R__S	\$ 1,329.	\$ 1,649.	\$ 1,949.
7-1/2" H Vanity – Plumbing Drawer, No Undercounter Sink					
	Base Unit	VM30H1D18P__N	\$ 1,679.	\$ 2,149.	\$ 2,599.
	With 2700K/4000K Night Light	VM30H1D18P__S	\$ 2,049.	\$ 2,549.	\$ 2,979.
7-1/2" H Vanity – Full Drawer, No Sink					
	Base Unit	VM30H1D18F__N	\$ 1,679.	\$ 2,149.	\$ 2,599.
	With 2700K/4000K Night Light	VM30H1D18F__S	\$ 2,049.	\$ 2,549.	\$ 2,979.
7-1/2" H Vanity – Tip Out Drawer					
	Base Unit	VM30H1D18T__N	\$ 1,679.	\$ 2,149.	\$ 2,599.
	With 2700K/4000K Night Light	VM30H1D18T__S	\$ 2,049.	\$ 2,549.	\$ 2,979.
15" H Vanity – Plumbing Drawer					
	Base Unit	VM30H2D18P__N	\$ 1,899.	\$ 2,349.	\$ 2,829.
	With 2700K/4000K Night Light	VM30H2D18P__S	\$ 2,299.	\$ 2,779.	\$ 3,229.
15" H Vanity – Full Drawer, No Sink					
	Base Unit	VM30H2D18F__N	\$ 1,899.	\$ 2,349.	\$ 2,829.
	With 2700K/4000K Night Light	VM30H2D18F__S	\$ 2,299.	\$ 2,779.	\$ 3,229.

Vanity top, sink and side kits sold separately.

Vanity Color Options

Fill in __ designator to Model listed above with desired color. Example: VM30H1D18T20L.

Essentials Palette

- 10 Mirror
- 11 Tinted Gray Mirror
- 20 Black
- 21 White

Classic Palette

- 22 Beach
- 26 Matte White
- 27 Matte Gray
- 28 Matte Black
- 60 Reeded White
- 61 Reeded Brass

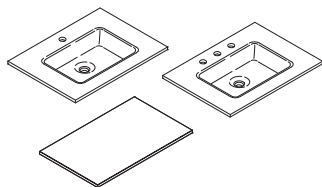
Inspire Palette

- 12 Satin Bronze
- 19 Satin White
- 23 Ocean
- 24 Smoke Screen
- 25 Silver Screen

See Vanity Tops, Accessories & Options on the following page.

Cartesian® Vanity – VM30 – 30" W x 18" D

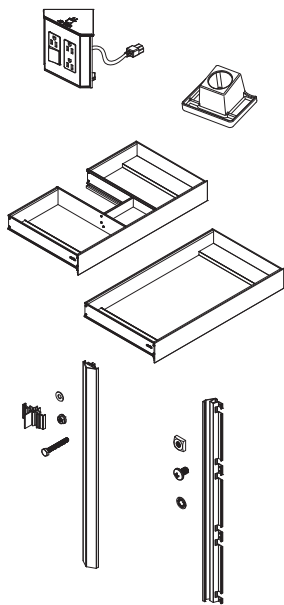
31" W x 19" D Vanity Tops – For 18" D Vanities



Description	For Use With Vanity	See Page
TC31UCN __ Glass Vanity Top	Plumbing & Tip Out Drawer	280
TE31G __ Engineered Stone Vanity Top (No Sink)	30" W Vanities	280

**Undercounter Sink available for Custom Countertop – see page 286.
See Cartesian Ganging Reference on pages 250 – 252.**

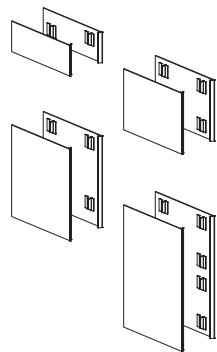
Add-On Accessories & Options



Description	Model	Price
Electric Accessory For use in 15" H plumbing or full drawer (H2)	VAELECTRIC18	\$ 499.
Hair Styling Organizer For use in 15" H plumbing (vessel only) or full drawer (H2)	VAHAIRORG	\$ 249.
Slim Drawer Insert For use in 15" H plumbing drawer (H2)	VADRAWER30P	\$ 779.
For use in 15" H full drawer (H2)	VADRAWER30X	\$ 779.
Note: Not for use with plumbing drawer undercounter sink installations or with Robern's stone vanity tops. Can be used in above-counter vessel installations.		
Vanity Ganging Kit – Hardware required when combining two or more vanities (each connection point)		
7-1/2" H	VMGKITH1	\$ 99.
15" H	VMGKITH2	\$ 99.
22-1/2" H	VMGKITH3	\$ 229.
30" H	VMGKITH4	\$ 229.
Vanity Alcove Finishing Kit – Hardware required for corner or alcove installations		
7-1/2" H	VMAKITH1	\$ 99.
15" H	VMAKITH2	\$ 99.
22-1/2" H	VMAKITH3	\$ 229.
30" H	VMAKITH4	\$ 229.

See additional Accessories on pages 301 – 303.

Vanity Side Kits (sold separately)



Description	Model	Essentials Palette	Classic Palette	Inspire Palette
Vanity Side Kits – Includes glass panel(s) & hardware (see Color Options on previous page)				
Single, 7-1/2" H, 18" D	VM1SKH1D18-__	\$ 229.	\$ 299.	\$ 349.
Pair, 7-1/2" H, 18" D	VM2SKH1D18-__	\$ 349.	\$ 499.	\$ 599.
Single, 15" H, 18" D	VM1SKH2D18-__	\$ 299.	\$ 349.	\$ 449.
Pair, 15" H, 18" D	VM2SKH2D18-__	\$ 449.	\$ 549.	\$ 679.
Single, 22-1/2" H, 18" D	VM1SKH3D18-__	\$ 349.	\$ 449.	\$ 499.
Pair, 22-1/2" H, 18" D	VM2SKH3D18-__	\$ 599.	\$ 729.	\$ 849.
Single, 30" H, 18" D	VM1SKH4D18-__	\$ 449.	\$ 499.	\$ 549.
Pair, 30" H, 18" D	VM2SKH4D18-__	\$ 729.	\$ 849.	\$ 949.

Note: You must choose one side kit or alcove kit for every exposed side.

SEE PAGES 248 – 249 FOR TIPS & FEATURES.

Cartesian® Vanity – VM36 – 36" W x 21" D



Meet the world's most accommodating vanity. Like the mathematical system that inspired its name, the Cartesian wall-mount vanity offers infinite possibilities for every dimension in your design. Customizable configurations ensure storage that perfectly suits your needs.



Available in a 2-week to 4-week lead time



36-1/8" W x 21-3/4" D Vanity

Description		Model	Essentials Palette 10, 11, 20, 21 Price	Classic Palette 22, 26, 27, 28, 60, 61 Price	Inspire Palette 12, 19, 23, 24, 25 Price
7-1/2" H Vanity – No Drawer, False Front					
	Base Unit	VM36H1D21R__N	\$ 1,329.	\$ 1,649.	\$ 1,949.
	With 2700K/4000K Night Light	VM36H1D21R__S	\$ 1,649.	\$ 1,949.	\$ 2,249.
7-1/2" H Vanity – Plumbing Drawer, No Undercounter Sink					
	Base Unit	VM36H1D21P__N	\$ 2,249.	\$ 2,699.	\$ 3,179.
	With 2700K/4000K Night Light	VM36H1D21P__S	\$ 2,699.	\$ 3,179.	\$ 3,629.
7-1/2" H Vanity – Full Drawer, No Sink					
	Base Unit	VM36H1D21F__N	\$ 2,249.	\$ 2,699.	\$ 3,179.
	With 2700K/4000K Night Light	VM36H1D21F__S	\$ 2,699.	\$ 3,179.	\$ 3,629.
7-1/2" H Vanity – Tip Out Drawer					
	Base Unit	VM36H1D21T__N	\$ 2,249.	\$ 2,699.	\$ 3,179.
	With 2700K/4000K Night Light	VM36H1D21T__S	\$ 2,699.	\$ 3,179.	\$ 3,629.
15" H Vanity – Plumbing Drawer					
	Base Unit	VM36H2D21P__N	\$ 2,499.	\$ 2,929.	\$ 3,379.
	With 2700K/4000K Night Light	VM36H2D21P__S	\$ 2,929.	\$ 3,379.	\$ 3,849.
15" H Vanity – Full Drawer, No Sink					
	Base Unit	VM36H2D21F__N	\$ 2,499.	\$ 2,929.	\$ 3,379.
	With 2700K/4000K Night Light	VM36H2D21F__S	\$ 2,929.	\$ 3,379.	\$ 3,849.

Vanity top, sink and side kits sold separately.

Vanity Color Options

Fill in __ designator to Model listed above with desired color. Example: VM36H2D21F26N.

Essentials Palette

- 10 Mirror
- 11 Tinted Gray Mirror
- 20 Black
- 21 White

Classic Palette

- 22 Beach
- 26 Matte White
- 27 Matte Gray
- 28 Matte Black
- 60 Reeded White
- 61 Reeded Brass

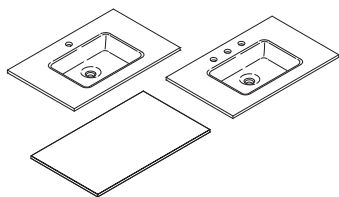
Inspire Palette

- 12 Satin Bronze
- 19 Satin White
- 23 Ocean
- 24 Smoke Screen
- 25 Silver Screen

See Vanity Tops, Accessories & Options on the following page.

Cartesian® Vanity – VM36 – 36" W x 21" D

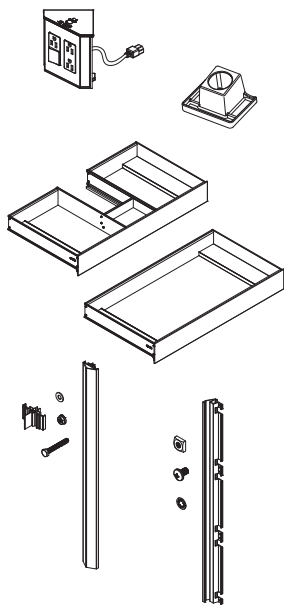
37" W x 22" D Vanity Tops – For 21" D Vanities



Description	For Use With Vanity	See Page
TF37UCO __ Engineered Stone Vanity Top	Plumbing & Tip Out Drawer	281
TF37G __ Engineered Stone Vanity Top (No Sink)	36" W Vanities	281

**Undercounter Sink available for Custom Countertop – see page 286.
See Cartesian Ganging Reference on pages 250 – 252.**

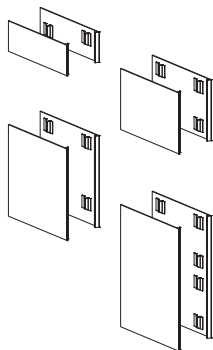
Add-On Accessories & Options



Description	Model	Price
Electric Accessory For use in 15" H plumbing or full drawer (H2)	VAELECTRIC21	\$ 499.
Hair Styling Organizer For use in 15" H plumbing (vessel only) or full drawer (H2)	VAHAIRORG	\$ 249.
Slim Drawer Insert For use in 15" H plumbing drawer (H2)	VADRAWER36P	\$ 849.
For use in 15" H full drawer (H2)	VADRAWER36X	\$ 849.
Note: Not for use with plumbing drawer undercounter sink installations or with Robern's stone vanity tops. Can be used in above-counter vessel installations.		
Vanity Ganging Kit – Hardware required when combining two or more vanities (each connection point)		
7-1/2" H	VMGKITH1	\$ 99.
15" H	VMGKITH2	\$ 99.
22-1/2" H	VMGKITH3	\$ 229.
30" H	VMGKITH4	\$ 229.
Vanity Alcove Finishing Kit – Hardware required for corner or alcove installations		
7-1/2" H	VMAKITH1	\$ 99.
15" H	VMAKITH2	\$ 99.
22-1/2" H	VMAKITH3	\$ 229.
30" H	VMAKITH4	\$ 229.

See additional Accessories on pages 301 – 303.

Vanity Side Kits (sold separately)



Description	Model	Essentials Palette	Classic Palette	Inspire Palette
Vanity Side Kits – Includes glass panel(s) & hardware (see Color Options on previous page)				
Single, 7-1/2" H, 21" D	VM1SKH1D21- __	\$ 229.	\$ 299.	\$ 349.
Pair, 7-1/2" H, 21" D	VM2SKH1D21- __	\$ 349.	\$ 499.	\$ 599.
Single, 15" H, 21" D	VM1SKH2D21- __	\$ 299.	\$ 349.	\$ 449.
Pair, 15" H, 21" D	VM2SKH2D21- __	\$ 449.	\$ 549.	\$ 679.
Single, 22-1/2" H, 21" D	VM1SKH3D21- __	\$ 349.	\$ 449.	\$ 499.
Pair, 22-1/2" H, 21" D	VM2SKH3D21- __	\$ 599.	\$ 729.	\$ 849.
Single, 30" H, 21" D	VM1SKH4D21- __	\$ 449.	\$ 499.	\$ 549.
Pair, 30" H, 21" D	VM2SKH4D21- __	\$ 729.	\$ 849.	\$ 949.

Note: You must choose one side kit or alcove kit for every exposed side.

SEE PAGES 248 – 249 FOR TIPS & FEATURES.

Cartesian® Vanity – VM36 – 36" W x 18" D



Meet the world's most accommodating vanity. Like the mathematical system that inspired its name, the Cartesian wall-mount vanity offers infinite possibilities for every dimension in your design. Customizable configurations ensure storage that perfectly suits your needs.



Available in a 2-week to 4-week lead time



Modular

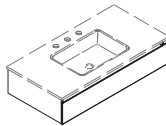
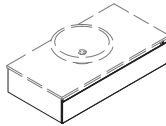
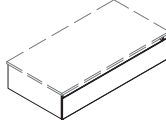
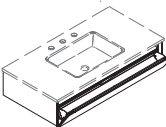
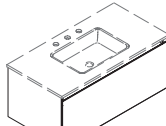
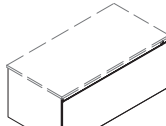


Electrical Outlet



Night Light

36-1/8" W x 18-3/4" D Vanity

Description		Model	Essentials Palette 10, 11, 20, 21 Price	Classic Palette 22, 26, 27, 28, 60, 61 Price	Inspire Palette 12, 19, 23, 24, 25 Price
7-1/2" H Vanity – No Drawer, False Front					
	Base Unit	VM36H1D18R__N	\$ 1,329.	\$ 1,649.	\$ 1,949.
	With 2700K/4000K Night Light	VM36H1D18R__S	\$ 1,649.	\$ 1,949.	\$ 2,249.
7-1/2" H Vanity – Plumbing Drawer, No Undercounter Sink					
	Base Unit	VM36H1D18P__N	\$ 2,249.	\$ 2,699.	\$ 3,179.
	With 2700K/4000K Night Light	VM36H1D18P__S	\$ 2,699.	\$ 3,179.	\$ 3,629.
7-1/2" H Vanity – Full Drawer, No Sink					
	Base Unit	VM36H1D18F__N	\$ 2,249.	\$ 2,699.	\$ 3,179.
	With 2700K/4000K Night Light	VM36H1D18F__S	\$ 2,699.	\$ 3,179.	\$ 3,629.
7-1/2" H Vanity – Tip Out Drawer					
	Base Unit	VM36H1D18T__N	\$ 2,249.	\$ 2,699.	\$ 3,179.
	With 2700K/4000K Night Light	VM36H1D18T__S	\$ 2,699.	\$ 3,179.	\$ 3,629.
15" H Vanity – Plumbing Drawer					
	Base Unit	VM36H2D18P__N	\$ 2,499.	\$ 2,929.	\$ 3,379.
	With 2700K/4000K Night Light	VM36H2D18P__S	\$ 2,929.	\$ 3,379.	\$ 3,849.
15" H Vanity – Full Drawer, No Sink					
	Base Unit	VM36H2D18F__N	\$ 2,499.	\$ 2,929.	\$ 3,379.
	With 2700K/4000K Night Light	VM36H2D18F__S	\$ 2,929.	\$ 3,379.	\$ 3,849.

Vanity top, sink and side kits sold separately.

Vanity Color Options

Fill in __ designator to Model listed above with desired color. Example: VM36H2D18F26N.

Essentials Palette

- 10 Mirror
- 11 Tinted Gray Mirror
- 20 Black
- 21 White

Classic Palette

- 22 Beach
- 26 Matte White
- 27 Matte Gray
- 28 Matte Black
- 60 Reeded White
- 61 Reeded Brass

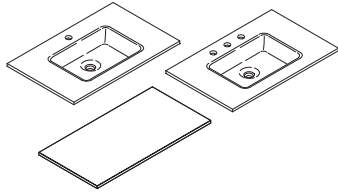
Inspire Palette

- 12 Satin Bronze
- 19 Satin White
- 23 Ocean
- 24 Smoke Screen
- 25 Silver Screen

See Vanity Tops, Accessories & Options on the following page.

Cartesian® Vanity – VM36 – 36" W x 18" D

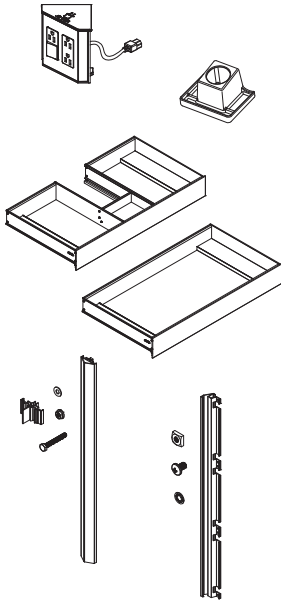
37" W x 19" D Vanity Tops – For 18" D Vanities



Description	For Use With Vanity	See Page
TC37UCN __ Glass Vanity Top	Plumbing & Tip Out Drawer	281
TE37G __ Engineered Stone Vanity Top (No Sink)	36" W Vanities	281

**Undercounter Sink available for Custom Countertop – see page 286.
See Cartesian Ganging Reference on pages 250 – 252.**

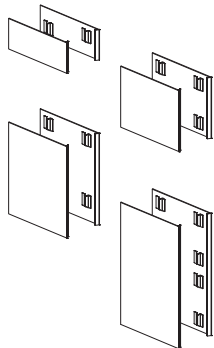
Add-On Accessories & Options



Description	Model	Price
Electric Accessory For use in 15" H plumbing or full drawer (H2)	VAELECTRIC18	\$ 499.
Hair Styling Organizer For use in 15" H plumbing (vessel only) or full drawer (H2)	VAHAIRORG	\$ 249.
Slim Drawer Insert For use in 15" H plumbing drawer (H2)	VADRAWER36P	\$ 849.
For use in 15" H full drawer (H2)	VADRAWER36X	\$ 849.
Note: Not for use with plumbing drawer undercounter sink installations or with Robern's stone vanity tops. Can be used in above-counter vessel installations.		
Vanity Ganging Kit – Hardware required when combining two or more vanities (each connection point)		
7-1/2" H	VMGKITH1	\$ 99.
15" H	VMGKITH2	\$ 99.
22-1/2" H	VMGKITH3	\$ 229.
30" H	VMGKITH4	\$ 229.
Vanity Alcove Finishing Kit – Hardware required for corner or alcove installations		
7-1/2" H	VMAKITH1	\$ 99.
15" H	VMAKITH2	\$ 99.
22-1/2" H	VMAKITH3	\$ 229.
30" H	VMAKITH4	\$ 229.

See additional Accessories on pages 301 – 303.

Vanity Side Kits (sold separately)



Description	Model	Essentials Palette	Classic Palette	Inspire Palette
Vanity Side Kits – Includes glass panel(s) & hardware (see Color Options on previous page)				
Single, 7-1/2" H, 18" D	VM1SKH1D18- __	\$ 229.	\$ 299.	\$ 349.
Pair, 7-1/2" H, 18" D	VM2SKH1D18- __	\$ 349.	\$ 499.	\$ 599.
Single, 15" H, 18" D	VM1SKH2D18- __	\$ 299.	\$ 349.	\$ 449.
Pair, 15" H, 18" D	VM2SKH2D18- __	\$ 449.	\$ 549.	\$ 679.
Single, 22-1/2" H, 18" D	VM1SKH3D18- __	\$ 349.	\$ 449.	\$ 499.
Pair, 22-1/2" H, 18" D	VM2SKH3D18- __	\$ 599.	\$ 729.	\$ 849.
Single, 30" H, 18" D	VM1SKH4D18- __	\$ 449.	\$ 499.	\$ 549.
Pair, 30" H, 18" D	VM2SKH4D18- __	\$ 729.	\$ 849.	\$ 949.

Note: You must choose one side kit or alcove kit for every exposed side.

SEE PAGES 248 – 249 FOR TIPS & FEATURES.

Curated Cartesian® Vanities – Table of Contents, Tips & Features

Curated Cartesian Vanity Tips & Features	268 – 269
Curated Cartesian Vanity Model Number Worksheet	270
Curated Cartesian Vanities	272 – 277
24" Wide Curated Cartesian Vanity	272 – 273
30" Wide Curated Cartesian Vanity	274 – 275
36" Wide Curated Cartesian Vanity	276 – 277
Vanity Accessories	300 – 303

Tips & Features

Dimensions & Weight

- Dimensions (W x H):*
 - 24" x 15-3/4" (610 mm x 400 mm)
 - 24" x 30-3/4" (610 mm x 781 mm)
 - 30" x 15-3/4" (762 mm x 400 mm)
 - 30" x 30-3/4" (762 mm x 781 mm)
 - 36" x 15-3/4" (914 mm x 400 mm)
 - 36" x 30-3/4" (914 mm x 781 mm)

*Width is with side kits installed

- Depth: 22" (559 mm)
- Net Weight: 100 – 205 lbs

Configurable Options

- Vanity Styles:
 - Single Drawer (Plumbing Drawer),
 - Two Drawer (Plumbing Drawer, Full Drawer),
 - Three Drawer (Tip Out Drawer, Plumbing Drawer, Full Drawer)
- Decorative Options:
 - 1) White Glass, Stone Gray Top,
 - 2) Tinted Gray Mirror Glass, Lyra Top,
 - 3) Matte Gray Glass, Quartz White Top
- Night Light:
 - No Night Light or Integrated LED Night Light in selectable 2700 Kelvin/4000 Kelvin

Features & Benefits

- Fully pre-configured vanity
- Glass finishes and engineered stone create a visually stunning product that's durable enough to stand the test of time
- Includes Robern ceramic lavatory and proprietary Robern mounting brackets
- Vanity top with 8" widespread faucet holes
- Plumbing slow-close drawer allows clearance for drain; tip out drawer for H1 (7-1/2" H) gives storage back by providing a drawer for smaller items and full slow-close drawer allows for maximum storage when plumbing does not interfere
- Uniquely designed handleless ergonomic drawer, allows for a comfortable feel and effortless operation
- H1 (7-1/2" H) vanities include five glass bins for plumbing drawers and four glass bins for full drawers; H2 (15" H) vanities include one glass bin with plumbing drawers
- Organization kit for H2 (15" H): two fully adjustable glass drawer dividers provide storage right where you need it and prevent items from moving and sliding in the drawer
- Night Light Option – integrated LED night light with light bar built into top frame (top drawer only), provides soft light to illuminate drawer interior and for wayfinding light in selectable 2700 Kelvin/4000 Kelvin. Night light is ETL certified to UL 2108, CSA Standard C22.2 No. 12
- Electric accessory option: three plugs and a switch that turns off power to the unit to keep appliances safely plugged in



Curated Cartesian® Vanities – Tips & Features

Tips & Features (Continued)

Construction

- Durable rust-free anodized aluminum and glass construction – resists intense moisture, ensuring long-lasting beauty
- Slow-close full-extension slides combined with the durability of aluminum construction ensure smooth operation of the vanity drawers that will last a lifetime
- Constructed for wall hanging loads with stone tops
- Glass fronts and side kits are replaceable
- Industrial grade installation hardware
- White shatter-protected glass drawer bottoms will not degrade or show wear. Glass dissipates heat to ensure confidence that hot items will not leave heat marks on the bottom of the drawers

Installation

- This installation may require more than one person
- Includes installation hardware, structural bolts and silicone
- Special site preparation is required. Wall bracing and Robern supplied hardware are recommended.
- The plumbing must be roughed into the plumbing cutout area of the vanity. Refer to the sink rough-in and the vanity rough-in for proper placement. The water supply and drain lines must be installed before installing the vanity.
- Components needed for stacking are included with each vanity
- Each design offers the necessary 15" plumbing clearance needed to clear the pipes
- Night Light Option (S) – 12VDC plug-in transformer. Option of two color temperatures for one night light: 2700 or 4000 Kelvin. The vanity is preconfigured at 2700K. Night light can be reconfigured to 4000K at time of installation. See installation instructions for more information.

Installation (Continued)

- Electric Accessory option: 120VAC 20A tamper resistant outlet. Installed within 15" H (H2) vanity drawer; not recommended to be used in combination with Slim Drawer Insert; recommended in combination with Hair Styling Organizer
- Slim full drawer insert can be used in a full drawer – includes four glass bins and only available for 15" H (H2) vanities
- Hair Styling Organizer fits all 15" H (H2) full vanity drawers; cannot be used in combination with slim plumbing drawer insert; recommended in combination with Electric Accessory

Accessories

- In-drawer Electric Accessory (VAELECTRIC21): ETL certified to UL 1363, CSA Standard C22.2 No. 21 – to be used in 15" H (H2) vanity drawers only
- Accessory Night Light in selectable 2700 Kelvin/4000 Kelvin (SLEDS24, SLEDS30, SLEDS36): Night light is ETL certified to UL 2108, CSA Standard C22.2 No. 12
- Slim Full Drawer Insert with four glass bins (VADRAWER24X, VADRAWER30X, VADRAWER36X) – 15" H only
- Glass Bins: divided storage (GLASSBIN6.38), small (GLASSBIN3.25), medium (GLASSBIN5.25), large (GLASSBIN8.5)
- Hair Styling Organizer (VAHAIRORG): fits most hair dryers and curling irons – to be used in 15" H (H2) vanity drawers only



Curated Cartesian® Vanity Model Number Worksheet

FEATURES

Select Dimension (W):

- 24"
- 30"
- 36"

Select Color Option:

- White Vanity Glass, Stone Gray Top
- Tinted Gray Mirror Vanity Glass, Lyra Top
- Matte Gray Vanity Glass, Quartz White Top

Select Night Light Option:

- No Night Light
- Selectable Night Light (2700K/4000K)

Select Included Option:

- Vanity, Side Kits and Vanity Top included

Select Drawer Type:

- One Drawer
- Two Drawer
- Three Drawer

MODEL

00

B

- 24
- 30
- 36

- 2191
- 1194
- 2792

- N
- S

B

- 00001
- 00002
- 00003

CUSTOMER INFORMATION

Name _____

Address _____

City/State/Zip _____

Telephone _____

Date Ordered _____

Curated Cartesian® Vanity – 24" W x 21" D



Take the guesswork out of vanity design. The Curated Cartesian vanity collection streamlines the decision-making process with a handpicked selection of vanities to ensure a flawless fit that complements any design.

- Glass finishes and engineered stone create a visually stunning product that's durable enough to stand the test of time
- Spacious drawers and tip out storage options eliminate clutter and make the daily routine effortless
- Finishing touches such as in-drawer electric, hot storage, and an LED night light elevate the contemporary design



Four Week
Lead Time

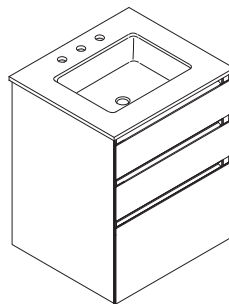
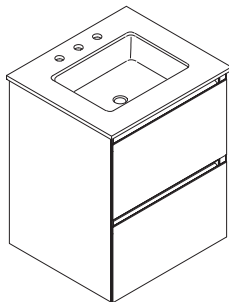
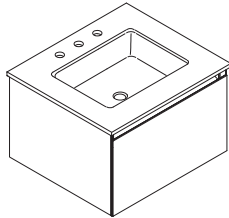


Electrical
Outlet



Night
Light

24" W x 21" D Vanity (25" W x 22" D with Vanity Top)



Description

Model

Price

15" H (15-3/4" H with Vanity Top) – Single Drawer, Base Unit

White Glass Vanity, Stone Gray Top	24219100NB00001	\$ 3,229.
Tinted Gray Mirror Glass Vanity, Lyra Top	24119400NB00001	\$ 3,699.
Matte Gray Glass Vanity, Quartz White Top	24279200NB00001	\$ 3,929.

15" H (15-3/4" H with Vanity Top) – Single Drawer, 2700K/4000K Night Light

White Glass Vanity, Stone Gray Top	24219100SB00001	\$ 3,579.
Tinted Gray Mirror Glass Vanity, Lyra Top	24119400SB00001	\$ 4,029.
Matte Gray Glass Vanity, Quartz White Top	24279200SB00001	\$ 4,279.

30" H (30-3/4" H with Vanity Top) – Two Drawer, Base Unit

White Glass Vanity, Stone Gray Top	24219100NB00002	\$ 4,879.
Tinted Gray Mirror Glass Vanity, Lyra Top	24119400NB00002	\$ 5,299.
Matte Gray Glass Vanity, Quartz White Top	24279200NB00002	\$ 5,999.

30" H (30-3/4" H with Vanity Top) – Two Drawer, 2700K/4000K Night Light

White Glass Vanity, Stone Gray Top	24219100SB00002	\$ 5,199.
Tinted Gray Mirror Glass Vanity, Lyra Top	24119400SB00002	\$ 5,679.
Matte Gray Glass Vanity, Quartz White Top	24279200SB00002	\$ 6,349.

30" H (30-3/4" H with Vanity Top) – Three Drawer, Base Unit

White Glass Vanity, Stone Gray Top	24219100NB00003	\$ 5,729.
Tinted Gray Mirror Glass Vanity, Lyra Top	24119400NB00003	\$ 6,179.
Matte Gray Glass Vanity, Quartz White Top	24279200NB00003	\$ 7,349.

30" H (30-3/4" H with Vanity Top) – Three Drawer, 2700K/4000K Night Light

White Glass Vanity, Stone Gray Top	24219100SB00003	\$ 6,079.
Tinted Gray Mirror Glass Vanity, Lyra Top	24119400SB00003	\$ 6,499.
Matte Gray Glass Vanity, Quartz White Top	24279200SB00003	\$ 7,679.

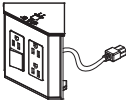
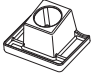
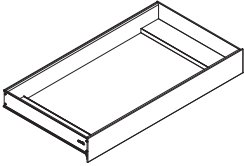
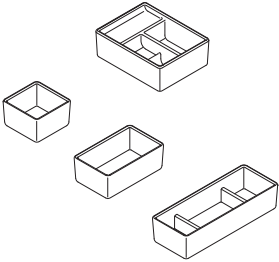
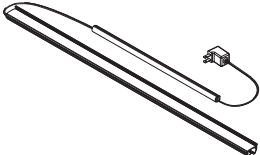


Note: Models in **bold** indicate Quick Ship product.

See Accessories & Options on the following page.

Curated Cartesian® Vanity – 24" W x 21" D

Add-On Accessories & Options

	Description	Model	Price
	Electric Accessory For use in 15" H plumbing or full drawer	VAELECTRIC21	\$ 499.
	Hair Styling Organizer For use in 15" H full drawer	VAHAIRORG	\$ 249.
	Slim Drawer Insert For use in 15" H full drawer (two drawer or three drawer vanity)	VADRAWER24X	\$ 679.
	Accessory Glass Bins Divided Storage, 4-7/8" W x 6-3/8" L x 2-1/8" D	GLASSBIN6.38	\$ 49.
	Small, 3-1/4" W x 3-1/4" L	GLASSBIN3.25	\$ 49.
	Medium, 3-1/4" W x 5-1/4" L	GLASSBIN5.25	\$ 49.
	Large, 3-1/4" W x 8-1/2" L	GLASSBIN8.5	\$ 49.
	Accessory Night Light 24" W, 2700K/4000K	SLEDS24	\$ 349.

 **Note:** Models in **bold** indicate Quick Ship product.

SEE PAGES 268 – 269 FOR TIPS & FEATURES.

Curated Cartesian® Vanity – 30" W x 21" D



Take the guesswork out of vanity design. The Curated Cartesian vanity collection streamlines the decision-making process with a handpicked selection of vanities to ensure a flawless fit that complements any design.

- Glass finishes and engineered stone create a visually stunning product that's durable enough to stand the test of time
- Spacious drawers and tip out storage options eliminate clutter and make the daily routine effortless
- Finishing touches such as in-drawer electric, hot storage, and an LED night light elevate the contemporary design



Four Week
Lead Time

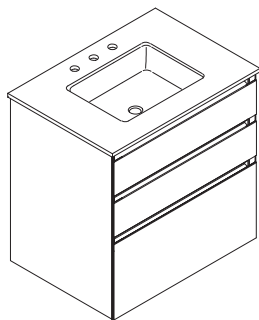
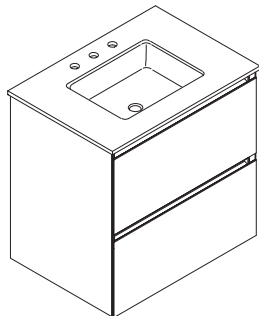
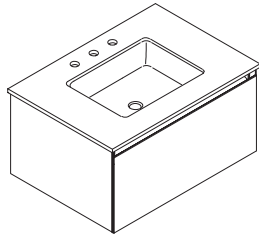


Electrical
Outlet



Night
Light

30" W x 21" D Vanity (31" W x 22" D with Vanity Top)



Description

Model

Price

15" H (15-3/4" H with Vanity Top) – Single Drawer, Base Unit

White Glass Vanity, Stone Gray Top	30219100NB00001	\$ 3,929.
Tinted Gray Mirror Glass Vanity, Lyra Top	30119400NB00001	\$ 4,399.
Matte Gray Glass Vanity, Quartz White Top	30279200NB00001	\$ 4,599.

15" H (15-3/4" H with Vanity Top) – Single Drawer, 2700K/4000K Night Light

White Glass Vanity, Stone Gray Top	30219100SB00001	\$ 4,329.
Tinted Gray Mirror Glass Vanity, Lyra Top	30119400SB00001	\$ 4,799.
Matte Gray Glass Vanity, Quartz White Top	30279200SB00001	\$ 5,029.

30" H (30-3/4" H with Vanity Top) – Two Drawer, Base Unit

White Glass Vanity, Stone Gray Top	30219100NB00002	\$ 6,129.
Tinted Gray Mirror Glass Vanity, Lyra Top	30119400NB00002	\$ 6,599.
Matte Gray Glass Vanity, Quartz White Top	30279200NB00002	\$ 7,279.

30" H (30-3/4" H with Vanity Top) – Two Drawer, 2700K/4000K Night Light

White Glass Vanity, Stone Gray Top	30219100SB00002	\$ 6,499.
Tinted Gray Mirror Glass Vanity, Lyra Top	30119400SB00002	\$ 6,899.
Matte Gray Glass Vanity, Quartz White Top	30279200SB00002	\$ 7,679.

30" H (30-3/4" H with Vanity Top) – Three Drawer, Base Unit

White Glass Vanity, Stone Gray Top	30219100NB00003	\$ 7,549.
Tinted Gray Mirror Glass Vanity, Lyra Top	30119400NB00003	\$ 8,049.
Matte Gray Glass Vanity, Quartz White Top	30279200NB00003	\$ 9,179.

30" H (30-3/4" H with Vanity Top) – Three Drawer, 2700K/4000K Night Light

White Glass Vanity, Stone Gray Top	30219100SB00003	\$ 7,999.
Tinted Gray Mirror Glass Vanity, Lyra Top	30119400SB00003	\$ 8,429.
Matte Gray Glass Vanity, Quartz White Top	30279200SB00003	\$ 9,599.

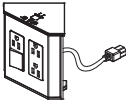
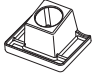
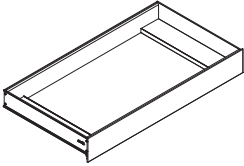
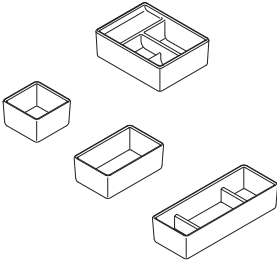
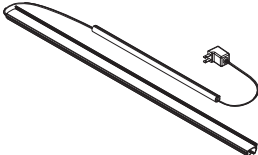


Note: Models in **bold** indicate Quick Ship product.

See Accessories & Options on the following page.

Curated Cartesian® Vanity – 30" W x 21" D

Add-On Accessories & Options

	Description	Model	Price
	Electric Accessory For use in 15" H plumbing or full drawer	VAELECTRIC21	\$ 499.
	Hair Styling Organizer For use in 15" H full drawer	VAHAIRORG	\$ 249.
	Slim Drawer Insert For use in 15" H full drawer (two drawer or three drawer vanity)	VADRAWER30X	\$ 779.
	Accessory Glass Bins Divided Storage, 4-7/8" W x 6-3/8" L x 2-1/8" D	GLASSBIN6.38	\$ 49.
	Small, 3-1/4" W x 3-1/4" L	GLASSBIN3.25	\$ 49.
	Medium, 3-1/4" W x 5-1/4" L	GLASSBIN5.25	\$ 49.
	Large, 3-1/4" W x 8-1/2" L	GLASSBIN8.5	\$ 49.
	Accessory Night Light 30" W, 2700K/4000K	SLEDS30	\$ 399.

 **Note:** Models in **bold** indicate Quick Ship product.

SEE PAGES 268 – 269 FOR TIPS & FEATURES.

Vanities & Tops

Curated Cartesian® Vanity – 36" W x 21" D



Take the guesswork out of vanity design. The Curated Cartesian vanity collection streamlines the decision-making process with a handpicked selection of vanities to ensure a flawless fit that complements any design.

- Glass finishes and engineered stone create a visually stunning product that's durable enough to stand the test of time
- Spacious drawers and tip out storage options eliminate clutter and make the daily routine effortless
- Finishing touches such as in-drawer electric, hot storage, and an LED night light elevate the contemporary design



Four Week
Lead Time

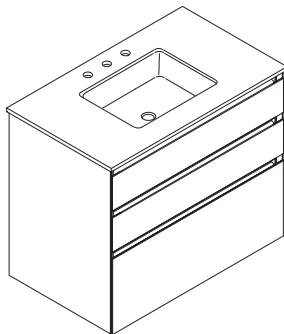
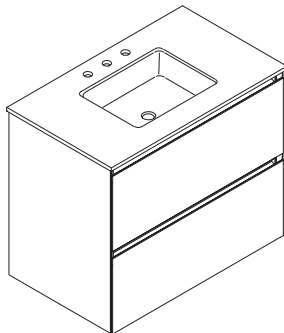
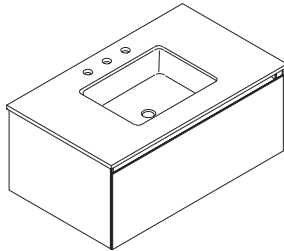


Electrical
Outlet



Night
Light

36" W x 21" D Vanity (37" W x 22" D with Vanity Top)



Description

Model

Price

15" H (15-3/4" H with Vanity Top) – Single Drawer, Base Unit

White Glass Vanity, Stone Gray Top	36219100NB00001	\$ 4,599.
Tinted Gray Mirror Glass Vanity, Lyra Top	36119400NB00001	\$ 5,099.
Matte Gray Glass Vanity, Quartz White Top	36279200NB00001	\$ 5,299.

15" H (15-3/4" H with Vanity Top) – Single Drawer, 2700K/4000K Night Light

White Glass Vanity, Stone Gray Top	36219100SB00001	\$ 5,099.
Tinted Gray Mirror Glass Vanity, Lyra Top	36119400SB00001	\$ 5,529.
Matte Gray Glass Vanity, Quartz White Top	36279200SB00001	\$ 5,799.

30" H (30-3/4" H with Vanity Top) – Two Drawer, Base Unit

White Glass Vanity, Stone Gray Top	36219100NB00002	\$ 7,399.
Tinted Gray Mirror Glass Vanity, Lyra Top	36119400NB00002	\$ 7,849.
Matte Gray Glass Vanity, Quartz White Top	36279200NB00002	\$ 8,529.

30" H (30-3/4" H with Vanity Top) – Two Drawer, 2700K/4000K Night Light

White Glass Vanity, Stone Gray Top	36219100SB00002	\$ 7,849.
Tinted Gray Mirror Glass Vanity, Lyra Top	36119400SB00002	\$ 8,329.
Matte Gray Glass Vanity, Quartz White Top	36279200SB00002	\$ 9,029.

30" H (30-3/4" H with Vanity Top) – Three Drawer, Base Unit

White Glass Vanity, Stone Gray Top	36219100NB00003	\$ 9,429.
Tinted Gray Mirror Glass Vanity, Lyra Top	36119400NB00003	\$ 9,879.
Matte Gray Glass Vanity, Quartz White Top	36279200NB00003	\$ 11,029.

30" H (30-3/4" H with Vanity Top) – Three Drawer, 2700K/4000K Night Light

White Glass Vanity, Stone Gray Top	36219100SB00003	\$ 9,879.
Tinted Gray Mirror Glass Vanity, Lyra Top	36119400SB00003	\$ 10,349.
Matte Gray Glass Vanity, Quartz White Top	36279200SB00003	\$ 11,499.

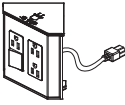
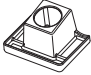
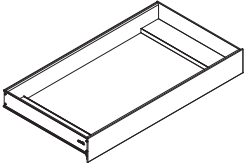
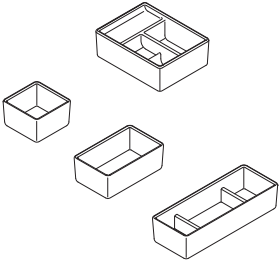
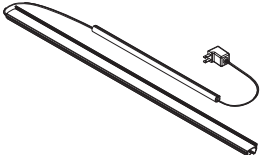


Note: Models in **bold** indicate Quick Ship product.

See Accessories & Options on the following page.

Curated Cartesian® Vanity – 36" W x 21" D

Add-On Accessories & Options

	Description	Model	Price
	Electric Accessory For use in 15" H plumbing or full drawer	VAELECTRIC21	\$ 499.
	Hair Styling Organizer For use in 15" H full drawer	VAHAIRORG	\$ 249.
	Slim Drawer Insert For use in 15" H full drawer (two drawer or three drawer vanity)	VADRAWER36X	\$ 849.
	Accessory Glass Bins Divided Storage, 4-7/8" W x 6-3/8" L x 2-1/8" D	GLASSBIN6.38	\$ 49.
	Small, 3-1/4" W x 3-1/4" L	GLASSBIN3.25	\$ 49.
	Medium, 3-1/4" W x 5-1/4" L	GLASSBIN5.25	\$ 49.
	Large, 3-1/4" W x 8-1/2" L	GLASSBIN8.5	\$ 49.
	Accessory Night Light 36" W, 2700K/4000K	SLEDS36	\$ 499.

 **Note:** Models in **bold** indicate Quick Ship product.

SEE PAGES 268 – 269 FOR TIPS & FEATURES.

Vanities & Tops

Vanity Tops – Table of Contents, Tips & Features

Table of Contents

13" Wide Vanity Tops	279
25" Wide Vanity Tops	279
31" Wide Vanity Tops	280
37" Wide Vanity Tops	281
49" Wide Vanity Tops	283
61" Wide Vanity Tops	284
73" Wide Vanity Tops	285 – 286
Undercounter Sink	286
Cartesian® & Profiles® Vanities Undermount Bowl Space Availability	287

Tips & Features



Eliminate the guesswork when it comes to pairing your vanity and top. Robern's expanded vanity top program offers a full range of pre-cut sizes, materials, and colors (280, from 13" to 73" wide) to meet the needs of any space with a pre-curated solution.

Dimensions & Weight

- Width:
 - 13" (330 mm)
 - 25" (635 mm)
 - 31" (787 mm)
 - 37" (940 mm)
 - 43" (1092 mm)
 - 49" (1245 mm)
 - 61" (1549 mm)
 - 73" (1854 mm)
- Depth:
 - 19" (483 mm)
 - 22" (559 mm)
- Thickness:
 - 19/32" (15 mm) – glass
 - 3/4" (19 mm) – engineered stone

Features & Benefits

- Offers 280 options, 16 cut patterns, 6 colors and 2 materials, for a one-stop shop experience that streamlines your selection process
- Stunning glass top features rectangular integrated sink, without overflow, available in White
- Striking engineered stone tops feature a white rectangular sink, with overflow, available in White Zeus Extreme, Quartz White (White Storm), Lyra, Stone Gray (Expo Grey) and Lava Black (Tebas Black)

Configurable Options

- Vanity Styles: dry top, center sink, left offset sink, right offset sink, double sink, triple sink
- Color Options: quartz white, white zeus extreme, lyra, stone gray, lava black, white glass
- Faucet Drillings: single or three hole 8" widespread

Installation

- Includes installation hardware, silicone and a sink



QUARTZ SURFACES

Engineered Stone Tops are exclusively provided by Silestone.



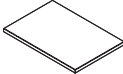
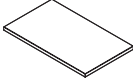
Glass Tops



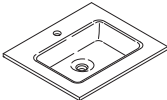
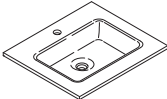
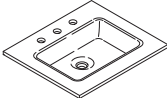
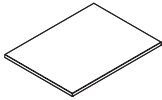
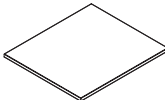
Engineered Stone Tops

Vanity Tops

13" W Vanity Tops

	Color	Model	For Use With Vanities	Price
Engineered Stone Vanity Top – 13" W x 19" D x 3/4" thick – No Sink				
	Lava Black (Tebas Black)	TE13G90	12" W Cartesian® & Profiles® (18" D)	\$ 929.
	Stone Gray (Expo Grey)	TE13G91		\$ 929.
	Quartz White (White Storm)	TE13G92		\$ 1,049.
	White Zeus Extreme	TE13G93		\$ 1,379.
	Lyra	TE13G94		\$ 1,379.
Engineered Stone Vanity Top – 13" W x 22" D x 3/4" thick – No Sink				
	Lava Black (Tebas Black)	TF13G90	12" W Cartesian & Profiles (21" D)	\$ 929.
	Stone Gray (Expo Grey)	TF13G91		\$ 929.
	Quartz White (White Storm)	TF13G92		\$ 1,049.
	White Zeus Extreme	TF13G93		\$ 1,379.
	Lyra	TF13G94		\$ 1,379.

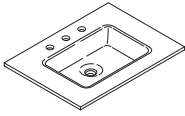
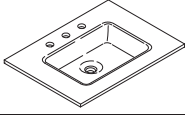
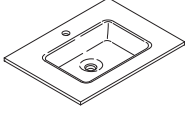
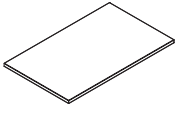
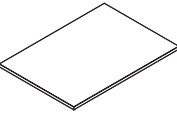
25" W Vanity Tops

	Color	Model*	For Use With Vanities	Price
Glass Vanity Top – 25" W x 19" D x 19/32" thick – Center Sink (Sink Dimensions = 15-1/2" W x 10" L x 5" D)				
	White	TC25UCN21-1	24" W Cartesian & Profiles (18" D)	\$ 1,079.
		TC25UCN21-8		\$ 1,079.
Glass Vanity Top – 25" W x 22" D x 19/32" thick – Center Sink (Sink Dimensions = 17-1/2" W x 12-1/2" L x 5" D)				
	White	TS25UCN21-1	24" W Cartesian & Profiles (21" D)	\$ 1,079.
		TS25UCN21-8		\$ 1,079.
Engineered Stone Vanity Top – 25" W x 22" D x 3/4" thick – Center Sink (Sink Dimensions = 17-1/4" W x 13" L x 5" D)				
	Lava Black (Tebas Black)	TF25UCO90-1	24" W Cartesian & Profiles (21" D)	\$ 1,529.
		TF25UCO90-8		\$ 1,529.
	Stone Gray (Expo Grey)	TF25UCO91-1		\$ 1,529.
		TF25UCO91-8		\$ 1,529.
	Quartz White (White Storm)	TF25UCO92-1		\$ 1,649.
		TF25UCO92-8		\$ 1,649.
	White Zeus Extreme	TF25UCO93-1		\$ 1,979.
	TF25UCO93-8		\$ 1,979.	
Lyra	TF25UCO94-1		\$ 1,979.	
	TF25UCO94-8		\$ 1,979.	
Engineered Stone Vanity Top – 25" W x 19" D x 3/4" thick – No Sink				
	Lava Black (Tebas Black)	TE25G90	24" W Cartesian & Profiles (18" D)	\$ 1,179.
	Stone Gray (Expo Grey)	TE25G91		\$ 1,179.
	Quartz White (White Storm)	TE25G92		\$ 1,279.
	White Zeus Extreme	TE25G93		\$ 1,649.
	Lyra	TE25G94		\$ 1,649.
Engineered Stone Vanity Top – 25" W x 22" D x 3/4" thick – No Sink				
	Lava Black (Tebas Black)	TF25G90	24" W Cartesian & Profiles (21" D)	\$ 1,179.
	Stone Gray (Expo Grey)	TF25G91		\$ 1,179.
	Quartz White (White Storm)	TF25G92		\$ 1,279.
	White Zeus Extreme	TF25G93		\$ 1,649.
	Lyra	TF25G94		\$ 1,649.

* -1 = Single-Hole Drilling
 -8 = 8" Widespread (3-Hole Centered on Sink Location)

Vanity Tops

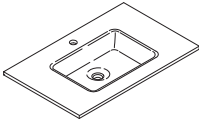
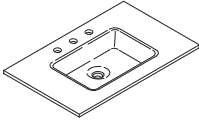
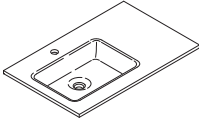
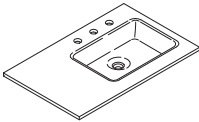
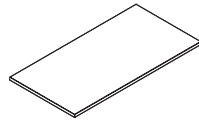
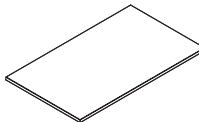
31" W Vanity Tops

	Color	Model*	For Use With Vanities	Price
Glass Vanity Top – 31" W x 19" D x 19/32" thick – Center Sink (Sink Dimensions = 15-1/2" W x 10" L x 5" D)				
	White	TC31UCN21-1	30" W Cartesian® & Profiles® (18" D)	\$ 1,179.
		TC31UCN21-8		\$ 1,179.
Glass Vanity Top – 31" W x 22" D x 19/32" thick – Center Sink (Sink Dimensions = 17-1/2" W x 12-1/2" L x 5" D)				
	White	TS31UCN21-1	30" W Cartesian & Profiles (21" D)	\$ 1,179.
		TS31UCN21-8		\$ 1,179.
Engineered Stone Vanity Top – 31" W x 22" D x 3/4" thick – Center Sink (Sink Dimensions = 17-1/4" W x 13" L x 5" D)				
	Lava Black (Tebas Black)	TF31UCO90-1	30" W Cartesian & Profiles (21" D)	\$ 1,649.
		TF31UCO90-8		\$ 1,649.
	Stone Gray (Expo Grey)	TF31UCO91-1		\$ 1,649.
		TF31UCO91-8		\$ 1,649.
	Quartz White (White Storm)	TF31UCO92-1		\$ 1,749.
		TF31UCO92-8		\$ 1,749.
	White Zeus Extreme	TF31UCO93-1		\$ 2,079.
		TF31UCO93-8		\$ 2,079.
Lyra	TF31UCO94-1		\$ 2,079.	
	TF31UCO94-8		\$ 2,079.	
Engineered Stone Vanity Top – 31" W x 19" D x 3/4" thick – No Sink				
	Lava Black (Tebas Black)	TE31G90	30" W Cartesian & Profiles (18" D)	\$ 1,279.
	Stone Gray (Expo Grey)	TE31G91		\$ 1,279.
	Quartz White (White Storm)	TE31G92		\$ 1,379.
	White Zeus Extreme	TE31G93		\$ 1,749.
	Lyra	TE31G94		\$ 1,749.
Engineered Stone Vanity Top – 31" W x 22" D x 3/4" thick – No Sink				
	Lava Black (Tebas Black)	TF31G90	30" W Cartesian & Profiles (21" D)	\$ 1,279.
	Stone Gray (Expo Grey)	TF31G91		\$ 1,279.
	Quartz White (White Storm)	TF31G92		\$ 1,379.
	White Zeus Extreme	TF31G93		\$ 1,749.
	Lyra	TF31G94		\$ 1,749.

* -1 = Single-Hole Drilling
 -8 = 8" Widespread (3-Hole Centered on Sink Location)

Vanity Tops

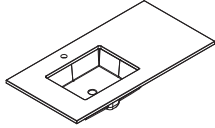
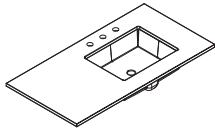
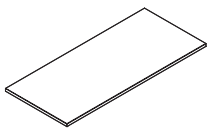
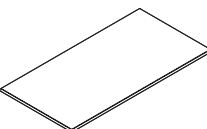
37" W Vanity Tops

	Color	Model*	For Use With Vanities	Price
Glass Vanity Top – 37" W x 19" D x 19/32" thick – Center Sink (Sink Dimensions = 15-1/2" W x 10" L x 5" D)				
	White	TC37UCN21-1	36" W Cartesian® & Profiles® (18" D)	\$ 1,429.
		TC37UCN21-8		\$ 1,429.
Engineered Stone Vanity Top – 37" W x 22" D x 3/4" thick – Center Sink (Sink Dimensions = 17-1/4" W x 13" L x 5" D)				
	Lava Black (Tebas Black)	TF37UCO90-1	36" W Cartesian & Profiles (21" D)	\$ 1,749.
		TF37UCO90-8		\$ 1,749.
	Stone Gray (Expo Grey)	TF37UCO91-1		\$ 1,749.
		TF37UCO91-8		\$ 1,749.
	Quartz White (White Storm)	TF37UCO92-1		\$ 1,879.
		TF37UCO92-8		\$ 1,879.
	White Zeus Extreme	TF37UCO93-1		\$ 2,199.
		TF37UCO93-8		\$ 2,199.
Lyra	TF37UCO94-1		\$ 2,199.	
	TF37UCO94-8		\$ 2,199.	
Engineered Stone Vanity Top – 37" W x 22" D x 3/4" thick – Left Sink (Sink Dimensions = 17-1/4" W x 13" L x 5" D)				
	Lava Black (Tebas Black)	TF37ULO90-1	21" D Cartesian & Profiles vanity arrangement (24-12)	\$ 1,749.
		TF37ULO90-8		\$ 1,749.
	Stone Gray (Expo Grey)	TF37ULO91-1		\$ 1,749.
		TF37ULO91-8		\$ 1,749.
	Quartz White (White Storm)	TF37ULO92-1		\$ 1,879.
		TF37ULO92-8		\$ 1,879.
White Zeus Extreme	TF37ULO93-1		\$ 2,199.	
	TF37ULO93-8		\$ 2,199.	
Lyra	TF37ULO94-1		\$ 2,199.	
	TF37ULO94-8		\$ 2,199.	
Engineered Stone Vanity Top – 37" W x 22" D x 3/4" thick – Right Sink (Sink Dimensions = 17-1/4" W x 13" L x 5" D)				
	Lava Black (Tebas Black)	TF37URO90-1	21" D Cartesian & Profiles vanity arrangement (12-24)	\$ 1,749.
		TF37URO90-8		\$ 1,749.
	Stone Gray (Expo Grey)	TF37URO91-1		\$ 1,749.
		TF37URO91-8		\$ 1,749.
	Quartz White (White Storm)	TF37URO92-1		\$ 1,879.
		TF37URO92-8		\$ 1,879.
	White Zeus Extreme	TF37URO93-1		\$ 2,199.
		TF37URO93-8		\$ 2,199.
Lyra	TF37URO94-1		\$ 2,199.	
	TF37URO94-8		\$ 2,199.	
Engineered Stone Vanity Top – 37" W x 19" D x 3/4" thick – No Sink				
	Lava Black (Tebas Black)	TE37G90	36" W Cartesian & Profiles (18" D)	\$ 1,379.
	Stone Gray (Expo Grey)	TE37G91		\$ 1,379.
	Quartz White (White Storm)	TE37G92		\$ 1,529.
	White Zeus Extreme	TE37G93		\$ 1,879.
	Lyra	TE37G94		\$ 1,879.
Engineered Stone Vanity Top – 37" W x 22" D x 3/4" thick – No Sink				
	Lava Black (Tebas Black)	TF37G90	36" W Cartesian & Profiles (21" D)	\$ 1,379.
	Stone Gray (Expo Grey)	TF37G91		\$ 1,379.
	Quartz White (White Storm)	TF37G92		\$ 1,529.
	White Zeus Extreme	TF37G93		\$ 1,879.
	Lyra	TF37G94		\$ 1,879.

* -1 = Single-Hole Drilling
-8 = 8" Widespread (3-Hole Centered on Sink Location)

Vanity Tops

43" W Vanity Tops

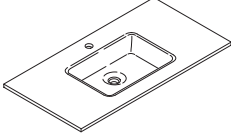
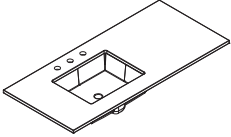
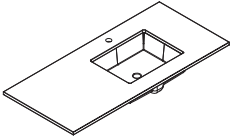
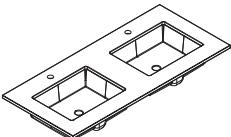
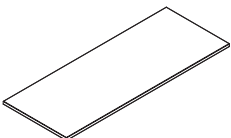
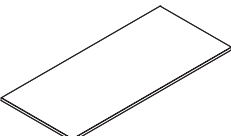
	Color	Model*	For Use With Vanities	Price
Engineered Stone Vanity Top – 43" W x 22" D x 3/4" thick – Left Sink (Sink Dimensions = 17-1/4" W x 13" L x 5" D)				
	Lava Black (Tebas Black)	TF43ULO90-1	21" D Cartesian® & Profiles® vanity arrangement (30-12)	\$ 1,979.
		TF43ULO90-8		\$ 1,979.
	Stone Gray (Expo Grey)	TF43ULO91-1	\$ 1,979.	
		TF43ULO91-8	\$ 1,979.	
	Quartz White (White Storm)	TF43ULO92-1	\$ 2,079.	
		TF43ULO92-8	\$ 2,079.	
	White Zeus Extreme	TF43ULO93-1	\$ 2,429.	
		TF43ULO93-8	\$ 2,429.	
	Lyra	TF43ULO94-1	\$ 2,429.	
		TF43ULO94-8	\$ 2,429.	
Engineered Stone Vanity Top – 43" W x 22" D x 3/4" thick – Right Sink (Sink Dimensions = 17-1/4" W x 13" L x 5" D)				
	Lava Black (Tebas Black)	TF43URO90-1	21" D Cartesian & Profiles vanity arrangement (12-30)	\$ 1,979.
		TF43URO90-8		\$ 1,979.
	Stone Gray (Expo Grey)	TF43URO91-1	\$ 1,979.	
		TF43URO91-8	\$ 1,979.	
	Quartz White (White Storm)	TF43URO92-1	\$ 2,079.	
		TF43URO92-8	\$ 2,079.	
	White Zeus Extreme	TF43URO93-1	\$ 2,429.	
		TF43URO93-8	\$ 2,429.	
	Lyra	TF43URO94-1	\$ 2,429.	
		TF43URO94-8	\$ 2,429.	
Engineered Stone Vanity Top – 43" W x 19" D x 3/4" thick – No Sink				
	Lava Black (Tebas Black)	TE43G90	18" D Cartesian & Profiles vanity arrangement (30-12) or (12-30)	\$ 1,649.
	Stone Gray (Expo Grey)	TE43G91		\$ 1,649.
	Quartz White (White Storm)	TE43G92	\$ 1,749.	
	White Zeus Extreme	TE43G93	\$ 2,079.	
	Lyra	TE43G94	\$ 2,079.	
Engineered Stone Vanity Top – 43" W x 22" D x 3/4" thick – No Sink				
	Lava Black (Tebas Black)	TF43G90	21" D Cartesian & Profiles vanity arrangement (30-12) or (12-30)	\$ 1,649.
	Stone Gray (Expo Grey)	TF43G91		\$ 1,649.
	Quartz White (White Storm)	TF43G92	\$ 1,749.	
	White Zeus Extreme	TF43G93	\$ 2,079.	
	Lyra	TF43G94	\$ 2,079.	

* -1 = Single-Hole Drilling

-8 = 8" Widespread (3-Hole Centered on Sink Location)

Vanity Tops

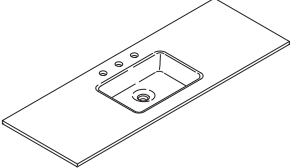
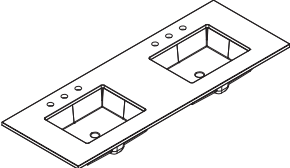
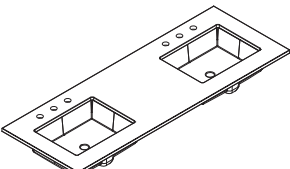
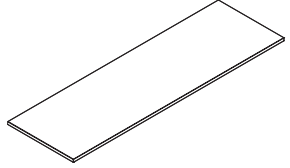
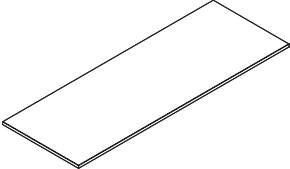
49" W Vanity Tops

	Color	Model*	For Use With Vanities	Price
Engineered Stone Vanity Top – 49" W x 22" D x 3/4" thick – Center Sink (Sink Dimensions = 17-1/4" W x 5" D)				
	Lava Black (Tebas Black)	TF49UCO90-1	21" D Cartesian® & Profiles® vanity arrangement (12-24-12)	\$ 2,079.
		TF49UCO90-8		\$ 2,079.
	Stone Gray (Expo Grey)	TF49UCO91-1		\$ 2,079.
		TF49UCO91-8		\$ 2,079.
	Quartz White (White Storm)	TF49UCO92-1		\$ 2,199.
		TF49UCO92-8		\$ 2,199.
	White Zeus Extreme	TF49UCO93-1		\$ 2,649.
		TF49UCO93-8		\$ 2,649.
	Lyra	TF49UCO94-1		\$ 2,649.
		TF49UCO94-8		\$ 2,649.
Engineered Stone Vanity Top – 49" W x 22" D x 3/4" thick – Left Sink (Sink Dimensions = 17-1/4" W x 13" L x 5" D)				
	Lava Black (Tebas Black)	TF49ULO90-1	21" D Cartesian & Profiles vanity arrangement (36-12)	\$ 2,079.
		TF49ULO90-8		\$ 2,079.
	Stone Gray (Expo Grey)	TF49ULO91-1		\$ 2,079.
		TF49ULO91-8		\$ 2,079.
	Quartz White (White Storm)	TF49ULO92-1		\$ 2,199.
		TF49ULO92-8		\$ 2,199.
	White Zeus Extreme	TF49ULO93-1		\$ 2,649.
		TF49ULO93-8		\$ 2,649.
	Lyra	TF49ULO94-1		\$ 2,649.
		TF49ULO94-8		\$ 2,649.
Engineered Stone Vanity Top – 49" W x 22" D x 3/4" thick – Right Sink (Sink Dimensions = 17-1/4" W x 13" L x 5" D)				
	Lava Black (Tebas Black)	TF49URO90-1	21" D Cartesian & Profiles vanity arrangement (12-36)	\$ 2,079.
		TF49URO90-8		\$ 2,079.
	Stone Gray (Expo Grey)	TF49URO91-1		\$ 2,079.
		TF49URO91-8		\$ 2,079.
	Quartz White (White Storm)	TF49URO92-1		\$ 2,199.
		TF49URO92-8		\$ 2,199.
	White Zeus Extreme	TF49URO93-1		\$ 2,649.
		TF49URO93-8		\$ 2,649.
	Lyra	TF49URO94-1		\$ 2,649.
		TF49URO94-8		\$ 2,649.
Engineered Stone Vanity Top – 49" W x 22" D x 3/4" thick – Double Sink (Sink Dimensions = 17-1/4" W x 13" L x 5" D)				
	Lava Black (Tebas Black)	TF49UDO90-1D1	21" D Cartesian & Profiles vanity arrangement (24-24)	\$ 2,649.
		TF49UDO90-8D1		\$ 2,649.
	Stone Gray (Expo Grey)	TF49UDO91-1D1		\$ 2,649.
		TF49UDO91-8D1		\$ 2,649.
	Quartz White (White Storm)	TF49UDO92-1D1		\$ 2,799.
		TF49UDO92-8D1		\$ 2,799.
	White Zeus Extreme	TF49UDO93-1D1		\$ 3,249.
		TF49UDO93-8D1		\$ 3,249.
	Lyra	TF49UDO94-1D1		\$ 3,249.
		TF49UDO94-8D1		\$ 3,249.
Engineered Stone Vanity Top – 49" W x 19" D x 3/4" thick – No Sink				
	Lava Black (Tebas Black)	TE49G90	18" D Cartesian & Profiles vanity arrangement (24-24) or (12-36) or (36-12) or (12-24-12)	\$ 1,749.
	Stone Gray (Expo Grey)	TE49G91		\$ 1,749.
	Quartz White (White Storm)	TE49G92		\$ 1,879.
	White Zeus Extreme	TE49G93		\$ 2,329.
	Lyra	TE49G94		\$ 2,329.
Engineered Stone Vanity Top – 49" W x 22" D x 3/4" thick – No Sink				
	Lava Black (Tebas Black)	TF49G90	21" D Cartesian & Profiles vanity arrangement (24-24) or (12-36) or (36-12) or (12-24-12)	\$ 1,749.
	Stone Gray (Expo Grey)	TF49G91		\$ 1,749.
	Quartz White (White Storm)	TF49G92		\$ 1,879.
	White Zeus Extreme	TF49G93		\$ 2,329.
	Lyra	TF49G94		\$ 2,329.

* -1 & -1D1 = Single-Hole Drilling
-8 & -8D1 = 8" Widespread (3-Hole Centered on Sink Location)

Vanity Tops

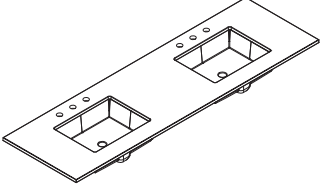
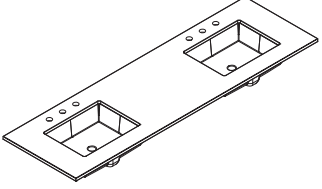
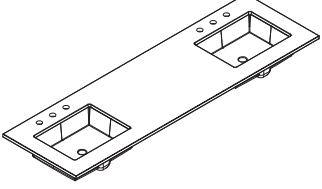
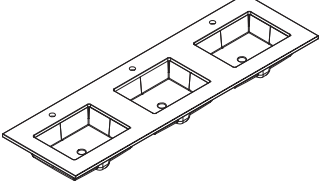
61" W Vanity Tops

	Color	Model*	For Use With Vanities	Price
Engineered Stone Vanity Top – 61" W x 22" D x 3/4" thick – Center Sink (Sink Dimensions = 17-1/4" W x 13" L x 5" D)				
	Lava Black (Tebas Black)	TF61UCO90-1	21" D Cartesian® & Profiles® vanity arrangement (12-36-12)	\$ 2,329.
		TF61UCO90-8		\$ 2,329.
	Stone Gray (Expo Grey)	TF61UCO91-1		\$ 2,329.
		TF61UCO91-8		\$ 2,329.
	Quartz White (White Storm)	TF61UCO92-1		\$ 2,429.
		TF61UCO92-8		\$ 2,429.
	White Zeus Extreme	TF61UCO93-1		\$ 2,799.
		TF61UCO93-8		\$ 2,799.
	Lyra	TF61UCO94-1		\$ 2,799.
		TF61UCO94-8		\$ 2,799.
Engineered Stone Vanity Top – 61" W x 22" D x 3/4" thick – Double Sink (Sink Dimensions = 17-1/4" W x 13" L x 5" D)				
	Lava Black (Tebas Black)	TF61UDO90-1D2	21" D Cartesian & Profiles vanity arrangement (30-30)	\$ 2,799.
		TF61UDO90-8D2		\$ 2,799.
	Stone Gray (Expo Grey)	TF61UDO91-1D2		\$ 2,799.
		TF61UDO91-8D2		\$ 2,799.
	Quartz White (White Storm)	TF61UDO92-1D2		\$ 3,029.
		TF61UDO92-8D2		\$ 3,029.
	White Zeus Extreme	TF61UDO93-1D2		\$ 3,479.
		TF61UDO93-8D2		\$ 3,479.
	Lyra	TF61UDO94-1D2		\$ 3,479.
		TF61UDO94-8D2		\$ 3,479.
Engineered Stone Vanity Top – 61" W x 22" D x 3/4" thick – Double Sink (Sink Dimensions = 17-1/4" W x 13" L x 5" D)				
	Lava Black (Tebas Black)	TF61UDO90-1D4	21" D Cartesian & Profiles vanity arrangement (24-12-24)	\$ 2,799.
		TF61UDO90-8D4		\$ 2,799.
	Stone Gray (Expo Grey)	TF61UDO91-1D4		\$ 2,799.
		TF61UDO91-8D4		\$ 2,799.
	Quartz White (White Storm)	TF61UDO92-1D4		\$ 3,029.
		TF61UDO92-8D4		\$ 3,029.
	White Zeus Extreme	TF61UDO93-1D4		\$ 3,479.
		TF61UDO93-8D4		\$ 3,479.
	Lyra	TF61UDO94-1D4		\$ 3,479.
		TF61UDO94-8D4		\$ 3,479.
Engineered Stone Vanity Top – 61" W x 19" D x 3/4" thick – No Sink				
	Lava Black (Tebas Black)	TE61G90	18" D Cartesian & Profiles vanity arrangement (30-30) or (12-36-12) or (24-12-24)	\$ 1,979.
	Stone Gray (Expo Grey)	TE61G91		\$ 1,979.
	Quartz White (White Storm)	TE61G92		\$ 2,079.
	White Zeus Extreme	TE61G93		\$ 2,549.
	Lyra	TE61G94		\$ 2,549.
Engineered Stone Vanity Top – 61" W x 22" D x 3/4" thick – No Sink				
	Lava Black (Tebas Black)	TF61G90	21" D Cartesian & Profiles vanity arrangement (30-30) or (12-36-12) or (24-12-24)	\$ 1,979.
	Stone Gray (Expo Grey)	TF61G91		\$ 1,979.
	Quartz White (White Storm)	TF61G92		\$ 2,079.
	White Zeus Extreme	TF61G93		\$ 2,549.
	Lyra	TF61G94		\$ 2,549.

* -1, -1D2 & -1D4 = Single-Hole Drilling
 -8, -8D2 & -8D4 = 8" Widespread (3-Hole Centered on Sink Location)

Vanity Tops

73" W Vanity Tops

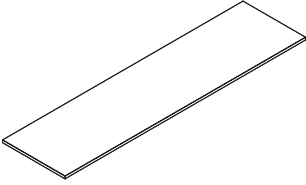
	Color	Model*	For Use With Vanities	Price
Engineered Stone Vanity Top – 73" W x 22" D x 3/4" thick – Double Sink (Sink Dimensions = 17-1/4" W x 13" L x 5" D)				
	Lava Black (Tebas Black)	TF73UDO90-1D3	21" D Cartesian® & Profiles® vanity arrangement (36-36)	\$ 3,249.
		TF73UDO90-8D3		\$ 3,249.
	Stone Gray (Expo Grey)	TF73UDO91-1D3	\$ 3,249.	
		TF73UDO91-8D3	\$ 3,249.	
	Quartz White (White Storm)	TF73UDO92-1D3	\$ 3,349.	
		TF73UDO92-8D3	\$ 3,349.	
	White Zeus Extreme	TF73UDO93-1D3	\$ 3,849.	
		TF73UDO93-8D3	\$ 3,849.	
	Lyra	TF73UDO94-1D3	\$ 3,849.	
		TF73UDO94-8D3	\$ 3,849.	
Engineered Stone Vanity Top – 73" W x 22" D x 3/4" thick – Double Sink (Sink Dimensions = 17-1/4" W x 13" L x 5" D)				
	Lava Black (Tebas Black)	TF73UDO90-1D5	21" D Cartesian & Profiles vanity arrangement (30-12-30)	\$ 3,249.
		TF73UDO90-8D5		\$ 3,249.
	Stone Gray (Expo Grey)	TF73UDO91-1D5	\$ 3,249.	
		TF73UDO91-8D5	\$ 3,249.	
	Quartz White (White Storm)	TF73UDO92-1D5	\$ 3,349.	
		TF73UDO92-8D5	\$ 3,349.	
	White Zeus Extreme	TF73UDO93-1D5	\$ 3,849.	
		TF73UDO93-8D5	\$ 3,849.	
	Lyra	TF73UDO94-1D5	\$ 3,849.	
		TF73UDO94-8D5	\$ 3,849.	
Engineered Stone Vanity Top – 73" W x 22" D x 3/4" thick – Double Sink (Sink Dimensions = 17-1/4" W x 13" L x 5" D)				
	Lava Black (Tebas Black)	TF73UDO90-1D6	21" D Cartesian & Profiles vanity arrangement (24-24-24)	\$ 3,249.
		TF73UDO90-8D6		\$ 3,249.
	Stone Gray (Expo Grey)	TF73UDO91-1D6	\$ 3,249.	
		TF73UDO91-8D6	\$ 3,249.	
	Quartz White (White Storm)	TF73UDO92-1D6	\$ 3,349.	
		TF73UDO92-8D6	\$ 3,349.	
	White Zeus Extreme	TF73UDO93-1D6	\$ 3,849.	
		TF73UDO93-8D6	\$ 3,849.	
	Lyra	TF73UDO94-1D6	\$ 3,849.	
		TF73UDO94-8D6	\$ 3,849.	
Engineered Stone Vanity Top – 73" W x 22" D x 3/4" thick – Triple Sink (Sink Dimensions = 17-1/4" W x 13" L x 5" D)				
	Lava Black (Tebas Black)	TF73UTO90-1T1	21" D Cartesian & Profiles vanity arrangement (24-24-24)	\$ 3,849.
		TF73UTO90-8T1		\$ 3,849.
	Stone Gray (Expo Grey)	TF73UTO91-1T1	\$ 3,849.	
		TF73UTO91-8T1	\$ 3,849.	
	Quartz White (White Storm)	TF73UTO92-1T1	\$ 3,949.	
		TF73UTO92-8T1	\$ 3,949.	
	White Zeus Extreme	TF73UTO93-1T1	\$ 4,429.	
		TF73UTO93-8T1	\$ 4,429.	
	Lyra	TF73UTO94-1T1	\$ 4,429.	
		TF73UTO94-8T1	\$ 4,429.	

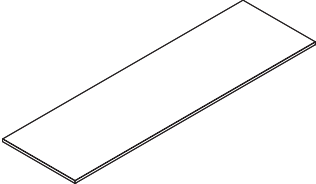
* -1D3, -1D5, -1D6 & -1T1 = Single-Hole Drilling
 -8D3, -8D5, -8D6 & -8T1 = 8" Widespread (3-Hole Centered on Sink Location)

73" W Vanity Tops continued on next page.

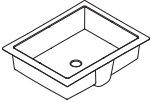
Vanity Tops

73" W Vanity Tops (Continued)

	Color	Model	For Use With Vanities	Price
Engineered Stone Vanity Top – 73" W x 19" D x 3/4" thick – No Sink				
	Lava Black (Tebas Black)	TE73G90	18" D Cartesian® & Profiles® vanity arrangement (36-36) or (24-24-24) or (30-12-30)	\$ 2,329.
	Stone Gray (Expo Grey)	TE73G91		\$ 2,329.
	Quartz White (White Storm)	TE73G92		\$ 2,429.
	White Zeus Extreme	TE73G93		\$ 2,799.
	Lyra	TE73G94		\$ 2,799.

Engineered Stone Vanity Top – 73" W x 22" D x 3/4" thick – No Sink				
	Lava Black (Tebas Black)	TF73G90	21" D Cartesian & Profiles vanity arrangement (36-36) or (24-24-24) or (30-12-30)	\$ 2,329.
	Stone Gray (Expo Grey)	TF73G91		\$ 2,329.
	Quartz White (White Storm)	TF73G92		\$ 2,429.
	White Zeus Extreme	TF73G93		\$ 2,799.
	Lyra	TF73G94		\$ 2,799.

Undercounter Sink

	Color	Model	For Use With Vanities	Price
17-1/4" W x 13" L x 5" D Undercounter Sink (Only)				
	White	LAV1UM-101	For custom countertop	\$ 449.

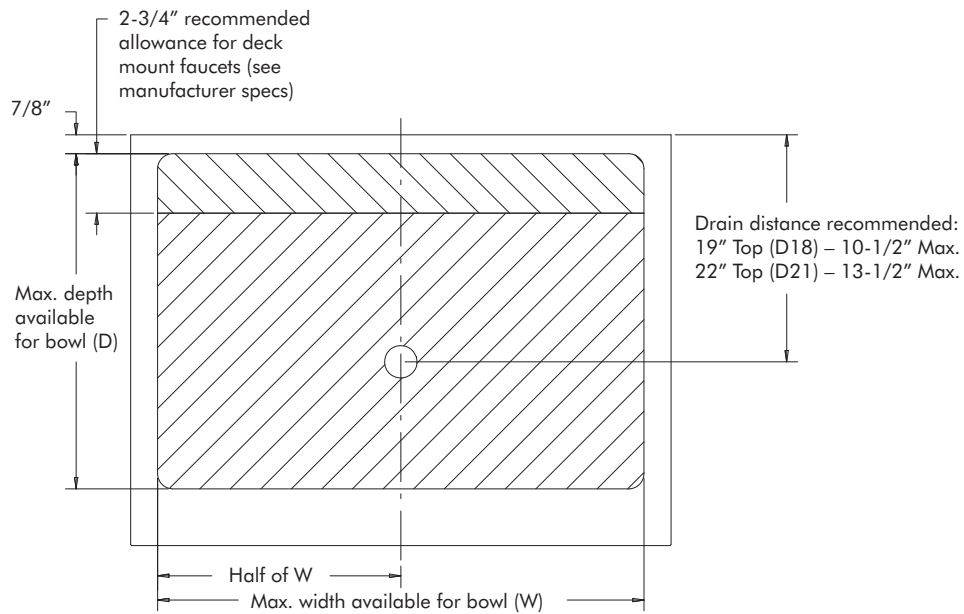
Note: Sink included with vanity top order (not applicable for tops with no sink). Sink sold separately for those who want a custom top with a sink that will fit.

Cartesian® & Profiles® Vanities Undermount Bowl Space Availability

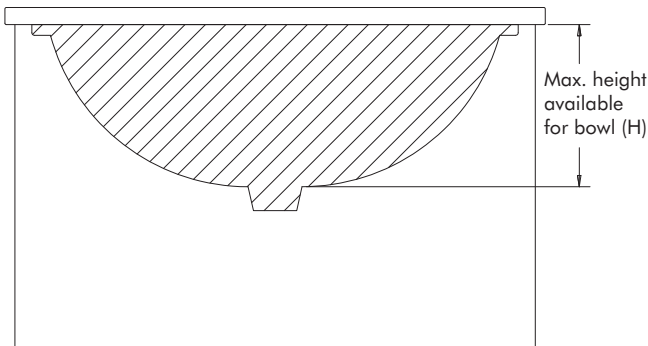
7-1/2" (H1) TIP OUT – MAXIMUM DIMENSIONS			
	Width (W)	Depth (D)	Height (H)
VM or VP24H1D18T	22-1/2"	13-1/2"	7-1/2"
VM or VP30H1D18T	28-1/2"	13-1/2"	7-1/2"
VM or VP36H1D18T	34-1/2"	13-1/2"	7-1/2"
VM or VP24H1D21T	22-1/2"	16-1/2"	7-1/2"
VM or VP30H1D21T	28-1/2"	16-1/2"	7-1/2"
VM or VP36H1D21T	34-1/2"	16-1/2"	7-1/2"

15" (H2) PLUMBING – MAXIMUM DIMENSIONS			
	Width (W)	Depth (D)	Height (H)
VM or VP24H2D18P	22-1/2"	15-1/2"	7-1/2"
VM or VP30H2D18P	28-1/2"	15-1/2"	7-1/2"
VM or VP36H2D18P	34-1/2"	15-1/2"	7-1/2"
VM or VP24H2D21P	22-1/2"	18-1/2"	7-1/2"
VM or VP30H2D21P	28-1/2"	18-1/2"	7-1/2"
VM or VP36H2D21P	34-1/2"	18-1/2"	7-1/2"

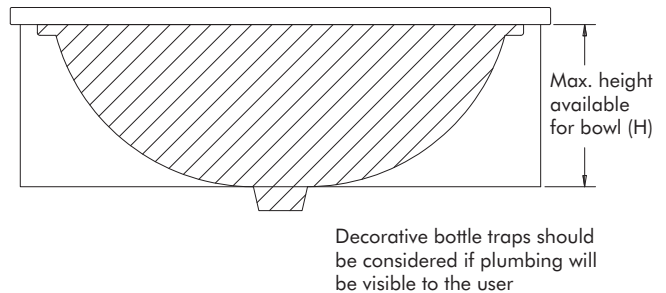
Top Down View of Vanity Top



Front View of 15" (H2) Plumbing Vanity



Front View of 7-1/2" (H1) Tip Out Vanity



Vanities & Tops

For more guidance on our modular solutions, visit robern.com/modularity.



ACCESSORIES

Cabinet Accessories	293
Vanity Accessories	300



293 Cabinet Accessories

PRICING CONTINUUM

Prices noted below are opening price points.

CABINET ACCESSORIES

				
Accessory Trays \$29	Ganging Kit \$49	Glass Bin \$49	Magnification Mirror \$49	PORTRAY™ Quick Caddy \$50
				
Push-to-Open Kit \$99	Stacking Kit \$99	Top & Bottom Kit \$99	Side Kit \$149	Handle Option \$179

MIRROR ACCESSORIES

		
PORTRAY Electric Upgrade \$320	IQ™ Digital Lock Box \$399	Ganging Kit \$399



300 Vanity Accessories

VANITY ACCESSORIES



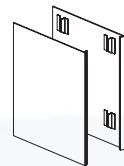
Glass Bin
\$49



Alcove Kit
\$99



Ganging Kit
\$99



Side Kit
\$229



Hair Styling Organizer
\$249



Night Light Accessories
\$299



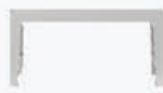
Undercounter Sink
\$449



Electric Accessories
\$499



Slim Drawer Insert
\$549



Leg Accessory
\$1,029

WHAT'S NEW / MAGNIFICATION MIRRORS



ELEVATE YOUR MORNING ROUTINE

A well-appointed bathroom creates a luxury experience because every aspect has been thoughtfully considered – including elements like magnification mirrors for makeup application or other detail-oriented tasks. Choose between wall-mount and freestanding designs in lit and unlit options.

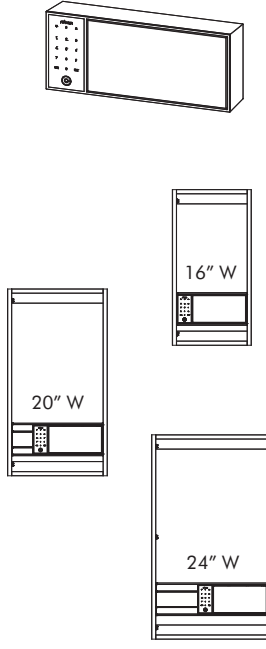
Cabinet Accessories – Table of Contents

IQ™ Digital Lock Box	294
Magnification Mirrors	294 – 295
Freestanding	294
Wall-Mount	294
Entice®	294
POMM	295
SOMM	295
CAMM	295
PL PORTRAY™ Cabinet Accessories	295
PORTRAY Electric Upgrade	295
PORTRAY Quick Caddy	295
Cabinet Opening Kits	295
Accessory Glass Bins	296
Accessory Trays	296
PL PORTRAY Side Kits & Ganging Kits	296
Cabinet Ganging Kits	297
Cabinet Stacking Filler System	297
Cabinet Surface-Mount Kits	298 – 299
Cabinet Top & Bottom Kits	299
Profiles® Mirror Ganging Kit	299

Cabinet Accessories

IQ™ Digital Lock Box

NEW!



IQ Digital Lock Box

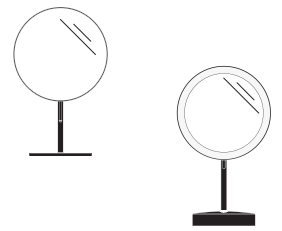
Offers key code entry, remote access and tamper notifications via smartphone. A mounting system is included that integrates with the cabinet to secure the lock box and prevent unauthorized removal.

Description/Dimensions	Model	For Use With Cabinets	Price
13-9/16" W x 5-3/4" H x 3" D	DLB-16	16" W PL PORTRAY™, 16" W Profiles®, 16" W M Series, 16" W Main Line, 16" W PL Series	\$ 399.
13-9/16" W x 5-3/4" H x 3" D	DLB-20	20" W PL PORTRAY, 20" W Profiles, 20" W M Series, 20" W Main Line, 20" W PL Series	\$ 399.
13-9/16" W x 5-3/4" H x 3" D	DLB-24	24" W PL PORTRAY, 24" W AiO®, 24" W Vitality®, 24" W Profiles, 24" W M Series, 24" W Main Line, 24" W PL Series	\$ 399.
13-9/16" W x 5-3/4" H x 3" D	DLB-UPLIFT24	24" W Uplift® Tech	\$ 399.
13-9/16" W x 5-3/4" H x 3" D	DLB-UPLIFT	30", 36" & 48" W Uplift Tech	\$ 399.
13-9/16" W x 5-3/4" H x 3" D	DLB-R20	20" W R ³ ® Series	\$ 399.
13-9/16" W x 5-3/4" H x 3" D	DLB-R24	24" W R ³ Series	\$ 399.

Note: Digital Lock Box not available for 12" W cabinets.

Magnification Mirrors

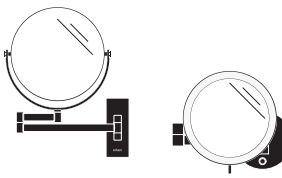
NEW!



Freestanding Magnification Mirrors

5X Magnification, Unlit – Satin Nickel	5M0008FUUN70	All cabinets	\$ 199.
5X Magnification, Unlit – Chrome	5M0008FUUN76	All cabinets	\$ 199.
5X Magnification, Unlit – Matte Black	5M0008FUUN83	All cabinets	\$ 199.
5X Magnification, Unlit – Light Brushed Bronze	5M0008FUUN85	All cabinets	\$ 199.
5X Magnification, Lit, Selectable Light Control, Soft White (3000K) and Cool White (5000K) – Chrome	5M0008FLUT76	All cabinets	\$ 269.

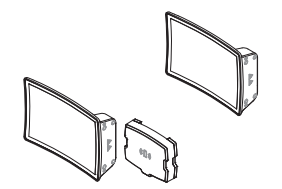
NEW!



Wall-Mount Magnification Mirrors

1X and 7X Magnification, Unlit, Framed, Swivel Mirror – Chrome	7M0008WUFN76S	All cabinets	\$ 219.
5X Magnification, Lit, Selectable Light Control, Soft White (3000K) and Cool White (5000K) – Chrome	5M0008WLUT76	All cabinets	\$ 289.

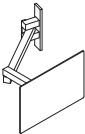
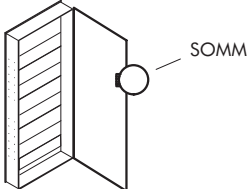

Entice® Magnification Mirror




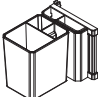
Entice 5X magnification mirror. 7-3/16" x 5-3/16" x 1-3/4"	ENTICE	AiO and M Series	\$ 449.
Entice 5X magnification mirror with inductive charging dock. 7-3/16" x 5-3/16" x 1-3/4"	ENTICEDOCK	AiO and M Series	\$ 499.

Note: Models in **bold** indicate Quick Ship product.




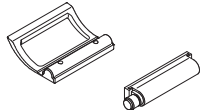
Cabinet Accessories

	Description/Dimensions	Model	For Use With Cabinets	Price
Magnification Mirrors (Continued)				
	Pull-Out Magnification Mirror Magnifies at 3X and retracts neatly into cabinet. 8" x 5-1/8" x 2-1/2"	POMM	All cabinets except Uplift [®] Tech, AiO [®] 30" & 36" W or R ³ Series	\$ 249.
	Silver Swing-Out Magnification Mirror 6.88" diameter x 2X magnification. 7" x 7" x 1/4" SOMM Magnification Mirror should be installed on the door, in between shelves.	SOMM	All cabinets except Uplift Tech, AiO 30" & 36" W or R ³ Series	\$ 99.
	Compact Adjustable Magnification Mirror 5X magnification. 3-1/2" x 3-1/2" x 3/4"	CAMM	AiO and M Series	\$ 49.

PL PORTRAY™ Cabinet Accessories

NEW!		PORTRAY Electric Upgrade 3-1/2" W x 4-15/16" H x 3-11/16" D	P2ELECTRIC	PL PORTRAY	\$ 320.
		PORTRAY Quick Caddy 2-7/16" W x 3-1/2" H x 4-5/16" D	QUICKCADDY	PL PORTRAY	\$ 50.

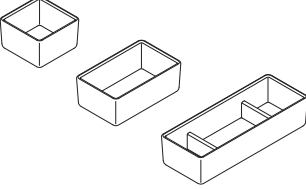
Cabinet Opening Kits

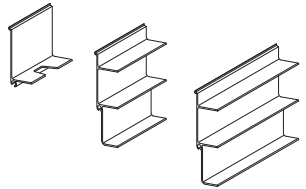
Uplift Tech – Handle Upgrades (Anodized Aluminum included with cabinet)				
	24" x 1" x 1-3/4" – Chrome	UHANDLE2476	Uplift Tech, 24" W	\$ 379.
	24" x 1" x 1-3/4" – Polished Nickel	UHANDLE2477	Uplift Tech, 24" W	\$ 379.
	24" x 1" x 1-3/4" – Matte Gold	UHANDLE2482	Uplift Tech, 24" W	\$ 399.
	24" x 1" x 1-3/4" – Matte Black	UHANDLE2483	Uplift Tech, 24" W	\$ 399.
	30" x 1" x 1-3/4" – Chrome	UHANDLE3076	Uplift Tech, 30" W	\$ 429.
	30" x 1" x 1-3/4" – Polished Nickel	UHANDLE3077	Uplift Tech, 30" W	\$ 429.
	30" x 1" x 1-3/4" – Matte Gold	UHANDLE3082	Uplift Tech, 30" W	\$ 449.
	30" x 1" x 1-3/4" – Matte Black	UHANDLE3083	Uplift Tech, 30" W	\$ 449.
	36" x 1" x 1-3/4" – Chrome	UHANDLE3676	Uplift Tech, 36" W	\$ 479.
	36" x 1" x 1-3/4" – Polished Nickel	UHANDLE3677	Uplift Tech, 36" W	\$ 479.
	36" x 1" x 1-3/4" – Matte Gold	UHANDLE3682	Uplift Tech, 36" W	\$ 499.
	36" x 1" x 1-3/4" – Matte Black	UHANDLE3683	Uplift Tech, 36" W	\$ 499.
	48" x 1" x 1-3/4" – Chrome	UHANDLE4876	Uplift Tech, 48" W	\$ 529.
	48" x 1" x 1-3/4" – Polished Nickel	UHANDLE4877	Uplift Tech, 48" W	\$ 529.
	48" x 1" x 1-3/4" – Matte Gold	UHANDLE4882	Uplift Tech, 48" W	\$ 549.
	48" x 1" x 1-3/4" – Matte Black	UHANDLE4883	Uplift Tech, 48" W	\$ 549.
	Handle Options Chrome Handle, 3/4" x 2-9/16" x 2"	MHANDLEKIT	AiO, Vitality [®] , M Series, PL Series	\$ 179.
	Push-to-Open Mechanism, 3/4" x 5/8" x 3-3/8"	MPUSHKIT	AiO, Vitality, Profiles, M Series, Main Line, PL Series	\$ 99.

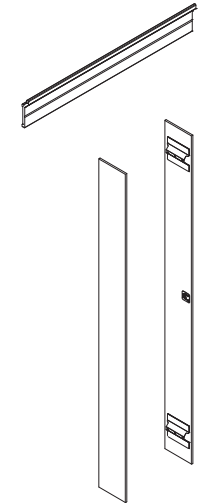
Note: Handle options are required when ganging 70" full length cabinets; optional for single cabinets.

 **Note:** Models in **bold** indicate Quick Ship product.

Cabinet Accessories

	Description/Dimensions	Model	For Use With Cabinets	Price
Accessory Glass Bins				
	Accessory Glass Bins			
	Small, 3-1/4" W x 3-1/4" L x 2-1/8" D	GLASSBIN3.25	All cabinets	\$ 49.
	Medium, 3-1/4" W x 5-1/4" L x 2-1/8" D	GLASSBIN5.25	All cabinets	\$ 49.
	Large, 3-1/4" W x 8-1/2" L x 2-1/8" D	GLASSBIN8.5	All cabinets	\$ 49.

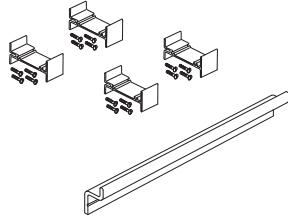
	Description/Dimensions	Model	For Use With Cabinets	Price
Accessory Trays				
	Accessory Trays			
	Razor/Phone Holder, 2-1/2" x 3" x 1-1/2"	MA-TRAY2.5	AiO [®] , Vitality [®] , Profiles [®] , M Series	\$ 29.
	3" Accessory Tray, 3" x 4-11/16" x 1-1/2"	MA-TRAY3	AiO, Vitality, Profiles, M Series	\$ 29.
	5" Accessory Tray, 5" x 4-11/16" x 1-1/2"	MA-TRAY5	AiO, Vitality, Profiles, M Series	\$ 29.

	Description/Dimensions	Model	For Use With Cabinets	Price
PL PORTRAY™ Side Kits & Ganging Kits				
	NEW!			
	Single Cabinet Surface-Mount Side Kits, Polished Edge			
	Quantity 1 = Pair of Mirrored Side Kits and Mounting Hardware			
	Side Kit	P2SMKIT20D4P	20" H PL PORTRAY	\$ 149.
	Side Kit	P2SMKIT26D4P	26" H PL PORTRAY	\$ 149.
	Side Kit	P2SMKIT30D4P	30" H PL PORTRAY	\$ 149.
	Side Kit	P2SMKIT36D4P	36" H PL PORTRAY	\$ 249.
	Side Kit	P2SMKIT40D4P	40" H PL PORTRAY	\$ 249.
	Side Kit	P2SMKIT72D4P	72" H PL PORTRAY	\$ 499.
	Multiple Cabinets Surface-Mount Ganging and Side Kits, Polished Edge			
	Quantity 1 = Pair of Mirrored Side Kits and Ganging/Mounting Hardware			
	Ganging & Side Kit	P2SM-GKIT20D4P	20" H PL PORTRAY	\$ 229.
	Ganging & Side Kit	P2SM-GKIT26D4P	26" H PL PORTRAY	\$ 229.
	Ganging & Side Kit	P2SM-GKIT30D4P	30" H PL PORTRAY	\$ 229.
	Ganging & Side Kit	P2SM-GKIT36D4P	36" H PL PORTRAY	\$ 329.
Ganging & Side Kit	P2SM-GKIT40D4P	40" H PL PORTRAY	\$ 329.	
Ganging & Side Kit	P2SM-GKIT72D4P	72" H PL PORTRAY	\$ 629.	
Multiple Cabinets Surface-Mount Extender Ganging Kit, Polished Edge				
For installations greater than 72" W	P2SMEXTENDKIT	All PL PORTRAY	\$ 109.	
Multiple Cabinets Recess-Mount Ganging Kit				
Hardware required for installing cabinets side-by-side	P2RMGKIT	20" H, 26" H, 30" H, 36" H & 40" H PL PORTRAY	\$ 69.	
Hardware required for installing cabinets side-by-side	P2RMGKITFL	72" H PL PORTRAY	\$ 109.	

 **Note:** Models in **bold** indicate Quick Ship product.

Cabinet Accessories

Cabinet Ganging Kits

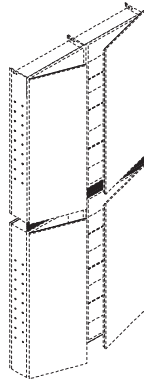


Description	Model	For Use With Cabinets	Price
Quantity 1 = Pair of Side Kits and Mounting Hardware			
Ganging Kit	MGKIT	AiO®, Vitality®, Profiles® and M Series 30"/40" H Cabinets, InLine Light	\$ 49.
Ganging Kit	MGKIT70	M Series 70" H Full Length Cabinets	\$ 99.
PL Ganging Kit	PLGKIT	PL Series Cabinets	\$ 49.
Hardware required for installing 2 or 3 cabinets side-by-side			
1.5 Series Lights Ganging Kit	1.5GKIT	M Series & PL Series Cabinets	\$ 49.
Hardware required if lights are used with multiple cabinets			
Uplift® Tech Ganging Kit	UGKIT	Uplift Tech Cabinets	\$ 179.
Required when pairing Uplift Tech cabinets			

Cabinet Stacking Filler System



Example 1



Example 2

MSF Systems are made to order.
MSF – model designation.
Dimension – total width of all components in inches.

Mounting Configuration:

Surface	MSF – *	AiO, Profiles, M Series, PL Series	\$ 99.
Recessed	MSF – R	AiO, Profiles, M Series, PL Series	\$ 99.
Semi-Recessed	MSF – D2	AiO, Profiles, M Series, PL Series	\$ 99.

* Follow MSF with width in inches of overall cabinet array.

Example 1 – MSF22.25S – MC2040 cabinet with ML1.540_ lights
Example 2 – MSF30.5R – (2) MC1630 cabinets

Notes: Stack filler is required only when vertically stacking cabinets.
MSF adds 5/8" to combined height of cabinets.
Rough opening height is 1-3/8" plus the combined R.O. heights of cabinets.
For special layouts, send sketch to Robern Customer Service.
Bold/Solid line drawing represents actual model number,
Faded/Dotted line drawings are for design reference only.

70" H Stack Filler	MSFMF **	Profiles, M Series, PL Series	\$ 99.
--------------------	-----------------	-------------------------------	--------

** The MSFMF is only required when ganging 30" H & 40" H surface-mounted cabinets.
When ganging 30" H & 40" H cabinets, single surface-mount side kit models are available,
please contact customer service for model numbers to complete your order.

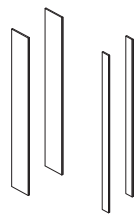
Note: Not recommended to stack two AiO Cabinets.



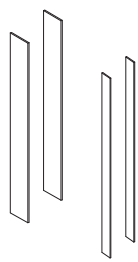
Note: Models in **bold** indicate Quick Ship product.

Cabinet Accessories

Surface-Mount Kits for AiO®, Vitality®, Profiles®, M Series & Main Line Cabinets: 30" H, 40" H, 48" H



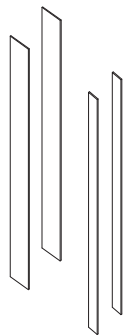
Description/Dimensions	Model	Model	Price
For 30" H Cabinets – Quantity 1 = Pair of Side Kits and Mounting Hardware, Polished Edge			
30" H x 4" D Surface-Mount	MSMK30D4P	AiO, Vitality, Profiles, M Series, Main Line	\$ 149.
30" H x 6" D Surface-Mount	MSMK30D6P	Profiles, M Series, Main Line	\$ 199.
30" H x 6" D Semi-Recessed	MSMK30D6SRP	Profiles, M Series, Main Line	\$ 149.
30" H x 8" D Surface-Mount	MSMK30D8P	M Series	\$ 249.
30" H x 8" D Semi-Recessed	MSMK30D8SRP	M Series	\$ 149.



For 40" H Cabinets – Quantity 1 = Pair of Side Kits and Mounting Hardware, Polished Edge			
40" H x 4" D Surface-Mount	MSMK40D4P	AiO, Vitality, Profiles, M Series, Main Line	\$ 249.
40" H x 6" D Surface-Mount	MSMK40D6P	Profiles, M Series, Main Line	\$ 349.
40" H x 6" D Semi-Recessed	MSMK40D6SRP	Profiles, M Series, Main Line	\$ 249.
40" H x 8" D Surface-Mount	MSMK40D8P	M Series	\$ 399.
40" H x 8" D Semi-Recessed	MSMK40D8SRP	M Series	\$ 249.

For 48" H Cabinets – Quantity 1 = Pair of Side Kits and Mounting Hardware, Polished Edge			
48" H x 4" D Surface-Mount	MSMK48D4P	Profiles	\$ 329.

Surface-Mount Kits for M Series Cabinets: 70" H



Description	Model	Mirror	Essentials Palette	Classic Palette	Inspire Palette
For 70" H Cabinets – Quantity 1 = Pair of Side Kits and Mounting Hardware					
70" H x 4" D Surface-Mount, Polished Edge	MSMK70D4P	\$ 449.	N/A	N/A	N/A
70" H x 4" D Surface-Mount, Decorative*	MSMK70D4__	N/A	\$ 499.	\$ 649.	\$ 749.
70" H x 6" D Surface-Mount, Polished Edge	MSMK70D6P	\$ 599.	N/A	N/A	N/A
70" H x 6" D Surface-Mount, Decorative*	MSMK70D6__	N/A	\$ 649.	\$ 749.	\$ 879.
70" H x 6" D Semi-Recessed, Polished Edge	MSMK70D6SRP	\$ 449.	N/A	N/A	N/A
70" H x 6" D Semi-Recessed, Decorative*	MSMK70D6SR__	N/A	\$ 499.	\$ 649.	\$ 749.
70" H x 8" D Surface-Mount, Polished Edge	MSMK70D8P	\$ 699.	N/A	N/A	N/A
70" H x 8" D Surface-Mount, Decorative*	MSMK70D8__	N/A	\$ 749.	\$ 879.	\$ 999.
70" H x 8" D Semi-Recessed, Polished Edge	MSMK70D8SRP	\$ 449.	N/A	N/A	N/A
70" H x 8" D Semi-Recessed, Decorative*	MSMK70D8SR__	N/A	\$ 499.	\$ 649.	\$ 749.

Surface-Mount Kit Color Options for M Series 70" H Cabinets

*Fill in __ designator to Model listed above with desired color. Example: **MSMK70D620**.

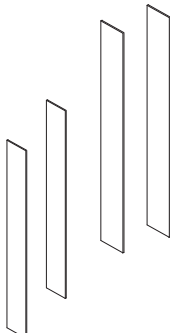
- Essentials Palette**
- 11 Tinted Gray Mirror
 - 20 Black
 - 21 White

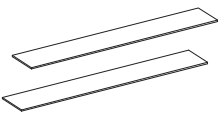
- Classic Palette**
- 22 Beach
 - 26 Matte White
 - 27 Matte Gray
 - 28 Matte Black


- Inspire Palette**
- 12 Satin Bronze
 - 19 Satin White
 - 23 Ocean
 - 24 Smoke Screen
 - 25 Silver Screen

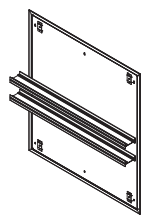
Note: Models in **bold** indicate Quick Ship product.

Cabinet Accessories

Description/Dimensions	Model	For Use With Cabinets	Price	
Surface-Mount Kits for Uplift® Tech, PL Series & R³ Series Cabinets				
Quantity 1 = Pair of Side Kits and Mounting Hardware				
	27" H x 6" D Surface-Mount, Polished Edge Mirror	USMK27D6P	Uplift Tech	\$ 179.
	27" H x 6" D Semi-Recessed, Polished Edge Mirror	USMK27D6SRP	Uplift Tech	\$ 179.
	30" H x 4" D Surface-Mount, Polished Edge Mirror	PLSMK30D4P	PL Series	\$ 149.
	40" H x 4" D Surface-Mount, Polished Edge Mirror	PLSMK40D4P	PL Series	\$ 249.
	20" H x 4" D Surface-Mount, Polished Edge Mirror	RSMK20D4P	R ³ Series	\$ 149.
	26" H x 4" D Surface-Mount, Polished Edge Mirror	RSMK26D4P	R ³ Series	\$ 149.
	36" H x 4" D Surface-Mount, Polished Edge Mirror	RSMK36D4P	R ³ Series	\$ 149.

Aluminum Top & Bottom Kits for Uplift Tech Cabinets				
Description	Model	For Use With Cabinets	Price	
Required when top or bottom is visible				
	Surface-Mount, 24" W x 2/25" H x 6" D	UTK24D6A	Uplift Tech	\$ 249.
	Semi-Recessed, 24" W x 2/25" H x 6" D	UTK24D6ASR	Uplift Tech	\$ 249.
	Surface-Mount, 30" W x 2/25" H x 6" D	UTK30D6A	Uplift Tech	\$ 249.
	Semi-Recessed, 30" W x 2/25" H x 6" D	UTK30D6ASR	Uplift Tech	\$ 249.
	Surface-Mount, 36" W x 2/25" H x 6" D	UTK36D6A	Uplift Tech	\$ 249.
	Semi-Recessed, 36" W x 2/25" H x 6" D	UTK36D6ASR	Uplift Tech	\$ 249.
	Surface-Mount, 48" W x 2/25" H x 6" D	UTK48D6A	Uplift Tech	\$ 249.
	Semi-Recessed, 48" W x 2/25" H x 6" D	UTK48D6ASR	Uplift Tech	\$ 249.

Aluminum Bottom Kits for all Cabinets except Uplift Tech or R3 Series						
Description	16" W	20" W	24" W	For Use w/Cabinets	Price	
Can be added to any surface-mount or semi-recessed installation to cover bottom of cabinet.						
	Surface-Mount, 4" D	MBK16D4A	MBK20D4A	MBK24D4A	AiO ₂ , Vitality ₂ , Profiles ₂ , M Series, PL Series	\$ 99.
	Surface-Mount, 6" D	MBK16D6A	MBK20D6A	MBK24D6A	Profiles, M Series, Main Line	\$ 99.
	Surface-Mount, 8" D	MBK16D8A	MBK20D8A	MBK24D8A	M Series	\$ 99.
	Semi-Recessed, 6" D	MBK16D6ASR	MBK20D6ASR	MBK24D6ASR	Profiles, M Series, Main Line	\$ 99.
	Semi-Recessed, 8" D	MBK16D8ASR	MBK20D8ASR	MBK24D8ASR	M Series	\$ 99.

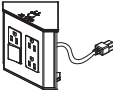
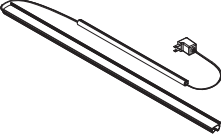
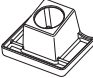
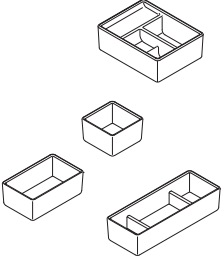
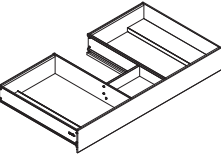
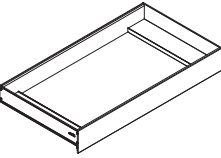
Profiles Mirror Ganging Kit			
Description	Model	Price	
Hardware required for ganging Profiles Mirrors with Profiles Lighting and Cabinets			
	24" x 30"	PMGKIT2430	\$ 399.
	30" x 30"	PMGKIT3030	\$ 449.
	36" x 30"	PMGKIT3630	\$ 499.
	24" x 40"	PMGKIT2440	\$ 399.
	30" x 40"	PMGKIT3040	\$ 449.
	36" x 40"	PMGKIT3640	\$ 499.

 **Note:** Models in **bold** indicate Quick Ship product.

Vanity Accessories – Table of Contents

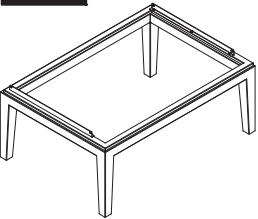
Electric Accessory	301
Accessory Night Light	301
Hair Styling Organizer	301
Accessory Glass Bins	301
Slim Drawer Inserts	301
Plumbing Drawer Inserts	301
Full Storage Drawer Inserts	301
Freestanding Leg Accessory	302
Undercounter Sink	302
Vanity Ganging Kits	302
Vanity Alcove Finishing Kits	302
Vanity Side Kits	303

Vanity Accessories

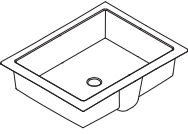
	Model	Description/Dimensions	For Use With Vanities	Price
Electric Accessory				
	VAELECTRIC18	5-1/2" x 5" x 3-1/2"	15" H x 18" D	\$ 499.
	VAELECTRIC21	5-1/2" x 5" x 3-1/2"	15" H x 21" D	\$ 499.
In-drawer accessory, three plugs and a switch. 120V, 1500W rated. ETL listed.				
Accessory Night Light				
	SLEDS12	2700K/4000K	12" W Vanities	\$ 299.
	SLEDS24	2700K/4000K	24" W Vanities	\$ 349.
	SLEDS30	2700K/4000K	30" W Vanities	\$ 399.
	SLEDS36	2700K/4000K	36" W Vanities	\$ 499.
Hair Styling Organizer				
	VAHAIRORG	8-1/4" x 4-1/2" x 6-7/8"	15" H (except 24" plumbing drawer)	\$ 249.
Recommend combining Hair Styling Organizer with Electric Accessory. Hair Styling Organizer cannot be used in combination with Slim Drawer Inserts.				
Accessory Glass Bins				
	GLASSBIN6.38	4-7/8" W x 6-3/8" L x 2-1/8" D	All Vanities	\$ 49.
	Divided Storage			
	GLASSBIN3.25	3-1/4" W x 3-1/4" L x 2-1/8" D	All Vanities	\$ 49.
	Small			
GLASSBIN5.25	3-1/4" W x 5-1/4" L x 2-1/8" D	All Vanities	\$ 49.	
Medium				
GLASSBIN8.5	3-1/4" W x 8-1/2" L x 2-1/8" D	All Vanities	\$ 49.	
Large				
Slim Drawer Inserts				
Plumbing Drawer Inserts				
	VADRAWER24P	22-3/16" x 3-3/4" x 15-3/8"	24" W x 15" H	\$ 679.
	VADRAWER30P	28-3/16" x 3-3/4" x 15-3/8"	30" W x 15" H	\$ 779.
	VADRAWER36P	34-3/16" x 3-3/4" x 15-3/8"	36" W x 15" H	\$ 849.
Notes: Not for use with plumbing drawer undercounter sink installations or with Robern's stone vanity tops. Can be used in above-counter vessel installations. Plumbing Drawer Inserts include five glass bins.				
Full Storage Drawer Inserts				
	VADRAWER12X	10-3/16" x 3-3/4" x 15-3/8"	12" W x 15" H	\$ 549.
	VADRAWER24X	22-3/16" x 3-3/4" x 15-3/8"	24" W x 15" H	\$ 679.
	VADRAWER30X	28-3/16" x 3-3/4" x 15-3/8"	30" W x 15" H	\$ 779.
	VADRAWER36X	34-3/16" x 3-3/4" x 15-3/8"	36" W x 15" H	\$ 849.
Notes: Not for use with plumbing drawer undercounter sink installations or with Robern's stone vanity tops. Can be used with dry top installations. Full Drawer Inserts include four glass bins.				

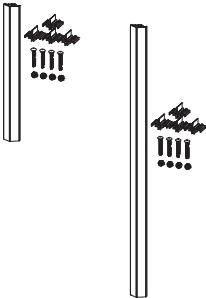
 **Note:** Models in **bold** indicate Quick Ship product.

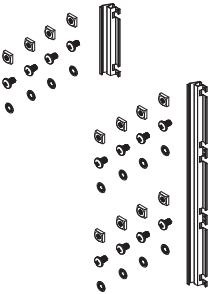
Vanity Accessories

	Model	Description/Dimensions	For Use With Vanities	Price
Freestanding Leg Accessory				
	NEW! VALEG24H3D21T84	24" W x 12" H x 21" D	24" W x 22-1/2" H x 21" D	\$ 1,029.
	VALEG30H3D21T84	30" W x 12" H x 21" D	30" W x 22-1/2" H x 21" D	\$ 1,129.
	VALEG36H3D21T84	36" W x 12" H x 21" D	36" W x 22-1/2" H x 21" D	\$ 1,229.

Note: Not for use with Curated Cartesian® or Profiles® with Antique Mirror vanities.

White Undercounter Sink				
	LAV1UM-101	17-1/4" W x 13" L x 5" D Undercounter Sink	For custom countertop	\$ 449.
		Includes mounting brackets and silicone.		

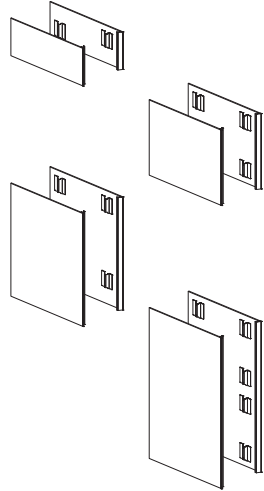
Vanity Ganging Kits				
Hardware required when combining two or more vanities				
	VMGKITH1	Ganging Kit, 7-1/2" H	All Vanities (except Freestanding)	\$ 99.
	VMGKITH2	Ganging Kit, 15" H	All Vanities (except Freestanding)	\$ 99.
	VMGKITH3	Ganging Kit, 22-1/2" H	All Vanities (except Freestanding)	\$ 229.
	VMGKITH4	Ganging Kit, 30" H	All Vanities (except Freestanding)	\$ 229.
Profiles® ganging information can be found on page 226. Cartesian® ganging information can be found on pages 250 – 252. Components needed for stacking are included with each vanity.				

Vanity Alcove Finishing Kits				
Hardware required for corner or alcove installations				
	VMAKITH1	Alcove Finishing Kit, 7-1/2" H	All Vanities (except Freestanding)	\$ 99.
	VMAKITH2	Alcove Finishing Kit, 15" H	All Vanities (except Freestanding)	\$ 99.
	VMAKITH3	Alcove Finishing Kit, 22-1/2" H	All Vanities (except Freestanding)	\$ 229.
	VMAKITH4	Alcove Finishing Kit, 30" H	All Vanities (except Freestanding)	\$ 229.
Note: One kit required per side of vanity.				

 **Note:** Models in **bold** indicate Quick Ship product.

Vanity Accessories

Vanity Side Kits



Description/Dimensions	Model	Essentials Palette	Classic Palette	Inspire Palette
Includes glass panel(s) & hardware				
Single, 7/8" x 7-1/2" H, 18" D	VM1SKH1D18-__	\$ 229.	\$ 299.	\$ 349.
Single, 7/8" x 7-1/2" H, 21" D	VM1SKH1D21-__	\$ 229.	\$ 299.	\$ 349.
Pair, 7/8" x 7-1/2" H, 18" D	VM2SKH1D18-__	\$ 349.	\$ 499.	\$ 599.
Pair, 7/8" x 7-1/2" H, 21" D	VM2SKH1D21-__	\$ 349.	\$ 499.	\$ 599.
Single, 7/8" x 15" H, 18" D	VM1SKH2D18-__	\$ 299.	\$ 349.	\$ 449.
Single, 7/8" x 15" H, 21" D	VM1SKH2D21-__	\$ 299.	\$ 349.	\$ 449.
Pair, 7/8" x 15" H, 18" D	VM2SKH2D18-__	\$ 449.	\$ 549.	\$ 679.
Pair, 7/8" x 15" H, 21" D	VM2SKH2D21-__	\$ 449.	\$ 549.	\$ 679.
Single, 7/8" x 22-1/2" H, 18" D	VM1SKH3D18-__	\$ 349.	\$ 449.	\$ 499.
Single, 7/8" x 22-1/2" H, 21" D	VM1SKH3D21-__	\$ 349.	\$ 449.	\$ 499.
Pair, 7/8" x 22-1/2" H, 18" D	VM2SKH3D18-__	\$ 599.	\$ 729.	\$ 849.
Pair, 7/8" x 22-1/2" H, 21" D	VM2SKH3D21-__	\$ 599.	\$ 729.	\$ 849.
Single, 7/8" x 30" H, 18" D	VM1SKH4D18-__	\$ 449.	\$ 499.	\$ 549.
Single, 7/8" x 30" H, 21" D	VM1SKH4D21-__	\$ 449.	\$ 499.	\$ 549.
Pair, 7/8" x 30" H, 18" D	VM2SKH4D18-__	\$ 729.	\$ 849.	\$ 949.
Pair, 7/8" x 30" H, 21" D	VM2SKH4D21-__	\$ 729.	\$ 849.	\$ 949.

Note: You must choose one side kit for every exposed side. Side kits sold separately to allow for customization.

Side Kit Color Options

Fill in __ designator to Model listed above with desired color. Example: VM2SKH4D21-19.

Essentials Palette

- 10 Mirror
- 11 Tinted Gray Mirror
- 20 Black
- 21 White

Classic Palette

- 22 Beach
- 26 Matte White
- 27 Matte Gray
- 28 Matte Black
- 60 Reeded White (Cartesian only)
- 61 Reeded Brass (Cartesian only)

Inspire Palette

- 12 Satin Bronze
- 19 Satin White
- 23 Ocean
- 24 Smoke Screen
- 25 Silver Screen

Replacement Parts

Cabinets	305 – 306
Shelves	305 – 306
Miscellaneous	306
Lighting	307
Bulbs	307
Miscellaneous	307

Replacement Parts – Cabinets

Cabinet Shelves

Each shelf part contains one shelf and four shelf pins. 4-Packs contain four shelves and 16 shelf pins.

Part No.	For Use With	Price	Part No.	For Use With	Price
Uplift® Tech Cabinets			M Series Cabinets		
X202-1567	7-7/16" W shelf used with 30" W cabinet (left side)	\$ 99.	SHLF12D4	12D4	\$ 99.
X202-1568	13-7/16" W shelf used with 36" W cabinet (left side)	\$ 109.	SHLF16D4	16D4	\$ 99.
X202-1569	17-13/16" W shelf used with 30", 36" and 48" W cabinets (right side)	\$ 109.	SHLF16D4S4	16D4 4-Pack	\$ 199.
X202-1570	21-9/16" W shelf used with 24" W cabinet	\$ 119.	SHLF20D4	20D4	\$ 99.
X202-1573	25-7/16" W shelf used with 48" W cabinet (left side)	\$ 119.	SHLF20D4S4	20D4 4-Pack	\$ 199.
AiO® Cabinets			PL Series Cabinets		
SHLF24D4	24" Single Shelf	\$ 99.	SHLF24D4	24D4	\$ 99.
SHLF24D4S3	24" 3-Pack of Shelves	\$ 149.	SHLF16D8	16D8	\$ 99.
SHLF8D4	30" Single Shelf for Smaller Side of Two Door Cabinet	\$ 49.	SHLF20D8	20D8	\$ 99.
SHLF8D4S3	30" 3-Pack of Shelves for Smaller Side of Two Door Cabinet	\$ 79.	SHLF24D8	24D8	\$ 99.
SHLF20D4	30" Single Shelf for Larger Side of Two Door Cabinet	\$ 99.	R³ Series Cabinets		
SHLF20D4S3	30" 3-Pack of Shelves for Larger Side of Two Door Cabinet	\$ 149.	X202-1136	RC16	\$ 99.
SHLF10D4	36" Single Shelf for Smaller Side of Two Door Cabinet	\$ 49.	X202-1137	RC20	\$ 99.
SHLF10D4S3	36" 3-Pack of Shelves for Smaller Side of Two Door Cabinet	\$ 79.	X202-1138	RC24	\$ 99.
SHLF24D4	36" Single Shelf for Larger Side of Two Door Cabinet	\$ 99.			
SHLF24D4S3	36" 3-Pack of Shelves for Larger Side of Two Door Cabinet	\$ 149.			
Profiles® Series Cabinets					
SHLF16D4	PC16D4	\$ 99.			
SHLF20D4	PC20D4	\$ 99.			
SHLF24D4	PC24D4	\$ 99.			
SHLF16D6	PC16D6	\$ 99.			
SHLF20D6	PC20D6	\$ 99.			
SHLF24D6	PC24D6	\$ 99.			

Replacement Parts – Cabinets

Miscellaneous – Cabinets

Part No.	Description	For Use With	Price
X205-1783	Magnification Mirror	AiO [®]	\$ 49.
XSS131-12	Shelf Clips	For all cabinets except R ³ Series and Uplift [®] Tech	\$ 19.
X216-1124	2-Pack Replacement Hinges, Clip-On, Adjusted	AiO	\$ 49.
X216-1159	3-Pack Replacement Hinges, Clip-On, Non-Adjusted	M Series, PL Series, Main Line	\$ 109.
X216-1161	2-Pack Replacement Hinges, Clip-On, Non-Adjusted	M Series, PL Series, Main Line	\$ 89.
X216-1112	Hardware Bag	M Series, PL Series	\$ 19.
XSS134-36	Gray Hole Plugs	For all cabinets except R ³ Series and Uplift Tech	\$ 19.
XSS712-2	Top Clips for Surface-Mount and Semi-Recessed Installations	For all cabinets except R ³ Series, Uplift Tech and PL PORTRAY [®]	\$ 19.
X205-2666-S	24" W Handle (Non-Electric, Electric) in Anodized Aluminum	Uplift Tech	\$ 149.
X205-2667-S	30" W Handle (Non-Electric, Electric) in Anodized Aluminum	Uplift Tech	\$ 199.
X205-2668-S	36" W Handle (Electric) in Anodized Aluminum	Uplift Tech	\$ 219.
X205-2669-S	48" W Handle (Non-Electric, Electric) in Anodized Aluminum	Uplift Tech	\$ 249.
X205-2670-S	30" W Handle (Electric, Night Light, Defogger) in Anodized Aluminum	Uplift Tech	\$ 239.
X205-2671-S	36" W Handle (Electric, Night Light, Defogger) in Anodized Aluminum	Uplift Tech	\$ 259.
X205-2672-S	48" W Handle (Electric, Night Light, Defogger) in Anodized Aluminum	Uplift Tech	\$ 299.
X216-1188	24" W Hardware Bag	Uplift Tech	\$ 69.
X216-1189	30", 36", 48" W Hardware Bag	Uplift Tech	\$ 79.
X216-1055	26" W Single Door Hardware Bag	R ³ Series	\$ 19.
X216-1056	26" W Two Door Hardware Bag	R ³ Series	\$ 19.
X216-1057	36" W Hardware Bag	R ³ Series	\$ 19.
X216-1054	20" W Hardware Bag	R ³ Series	\$ 19.
X216-1166	Hardware Bag	Vitality [®]	\$ 19.

Replacement Parts – Lighting

Bulbs

Shipping charges are added to shipment of bulbs and not combined with cabinet orders.

Fixture Model	Description	Package Qty.	Order Code	Price per Pack
Uplift® Sconce and Pendant	24 Watt, 3000K, 2G11 Base, Fluorescent	Single	X219-1145	\$ 99.
1.5 Series (40" H)	T-8 3000K, 36" Med. Bipin, 25W Fluorescent	2 per Pack	BULBFL3602	\$ 199.
1.5 Series (30" H)	T-8 3000K, 24" Med. Bipin, 17W Fluorescent	2 per Pack	BULBFL2402	\$ 199.



Note: Models in **bold** indicate Quick Ship product.

Miscellaneous – Lighting

Fixture Model	Description	For Use With	Price
X202-1116	Shade for Sconce and Pendant	Uplift®	\$ 149.
X219-1091	Sconce Ballast	Uplift	\$ 149.
X219-1096	Pendant Ballast	Uplift	\$ 149.

Model Number Price Index

Model Number	Price	Page	Model Number	Price	Page
1.5GKIT	\$ 49.	297	AC2430D4P1R	\$ 2,099.	67
5M0008FLUT76	\$ 269.	294	AC2430D4P1RA	\$ 2,679.	68
5M0008FUUN70	\$ 199.	294	AC2430D4P1RAW	\$ 2,679.	68
5M0008FUUN76	\$ 199.	294	AC2430D4P1RW	\$ 2,099.	67
5M0008FUUN83	\$ 199.	294	AC2440D4P1L	\$ 2,629.	67
5M0008FUUN85	\$ 199.	294	AC2440D4P1LA	\$ 3,199.	68
5M0008WLUT76	\$ 289.	294	AC2440D4P1LAW	\$ 3,199.	68
7M0008WUFN76S	\$ 219.	294	AC2440D4P1LW	\$ 2,629.	67
24119400NB00001	\$ 3,699.	272	AC2440D4P1R	\$ 2,629.	67
24119400NB00002	\$ 5,299.	272	AC2440D4P1RA	\$ 3,199.	68
24119400NB00003	\$ 6,179.	272	AC2440D4P1RAW	\$ 3,199.	68
24119400SB00001	\$ 4,029.	272	AC2440D4P1RW	\$ 2,629.	67
24119400SB00002	\$ 5,679.	272	AC3030D4P2L	\$ 2,529.	67
24119400SB00003	\$ 6,499.	272	AC3030D4P2LA	\$ 3,099.	68
24219100NB00001	\$ 3,229.	272	AC3030D4P2LAW	\$ 3,099.	68
24219100NB00002	\$ 4,879.	272	AC3030D4P2LW	\$ 2,529.	67
24219100NB00003	\$ 5,729.	272	AC3040D4P2L	\$ 2,979.	67
24219100SB00001	\$ 3,579.	272	AC3040D4P2LA	\$ 3,579.	68
24219100SB00002	\$ 5,199.	272	AC3040D4P2LAW	\$ 3,579.	68
24219100SB00003	\$ 6,079.	272	AC3040D4P2LW	\$ 2,979.	67
24279200NB00001	\$ 3,929.	272	AC3630D4P2L	\$ 2,849.	67
24279200NB00002	\$ 5,999.	272	AC3630D4P2LA	\$ 3,429.	68
24279200NB00003	\$ 7,349.	272	AC3630D4P2LAW	\$ 3,429.	68
24279200SB00001	\$ 4,279.	272	AC3630D4P2LW	\$ 2,849.	67
24279200SB00002	\$ 6,349.	272	AC3640D4P2L	\$ 3,299.	67
24279200SB00003	\$ 7,679.	272	AC3640D4P2LA	\$ 3,899.	68
30119400NB00001	\$ 4,399.	274	AC3640D4P2LAW	\$ 3,899.	68
30119400NB00002	\$ 6,599.	274	AC3640D4P2LW	\$ 3,299.	67
30119400NB00003	\$ 8,049.	274	AM2430RFP	\$ 1,529.	189
30119400SB00001	\$ 4,799.	274	AM2430RFPA	\$ 1,949.	189
30119400SB00002	\$ 6,899.	274	AM2430RFPAPW	\$ 1,949.	189
30119400SB00003	\$ 8,429.	274	AM2430RFPW	\$ 1,529.	189
30219100NB00001	\$ 3,929.	274	AM2440RFP	\$ 1,799.	189
30219100NB00002	\$ 6,129.	274	AM2440RFPA	\$ 2,249.	189
30219100NB00003	\$ 7,549.	274	AM2440RFPAPW	\$ 2,249.	189
30219100SB00001	\$ 4,329.	274	AM2440RFPW	\$ 1,799.	189
30219100SB00002	\$ 6,499.	274	AM2470RFP	\$ 3,279.	189
30219100SB00003	\$ 7,999.	274	AM3030RFP	\$ 1,699.	189
30279200NB00001	\$ 4,599.	274	AM3030RFPA	\$ 2,149.	189
30279200NB00002	\$ 7,279.	274	AM3030RFPAPW	\$ 2,149.	189
30279200NB00003	\$ 9,179.	274	AM3030RFPW	\$ 1,699.	189
30279200SB00001	\$ 5,029.	274	AM3040RFP	\$ 1,949.	189
30279200SB00002	\$ 7,679.	274	AM3040RFPA	\$ 2,429.	189
30279200SB00003	\$ 9,599.	274	AM3040RFPAPW	\$ 2,429.	189
30588200SA00004	\$ 8,657.	222	AM3040RFPW	\$ 1,949.	189
30598300SA00004	\$ 8,657.	222	AM3070RFP	\$ 3,529.	189
36119400NB00001	\$ 5,099.	276	AM3630RFP	\$ 1,879.	189
36119400NB00002	\$ 7,849.	276	AM3630RFPA	\$ 2,349.	189
36119400NB00003	\$ 9,879.	276	AM3630RFPAPW	\$ 2,349.	189
36119400SB00001	\$ 5,529.	276	AM3630RFPW	\$ 1,879.	189
36119400SB00002	\$ 8,329.	276	AM3640RFP	\$ 2,149.	189
36119400SB00003	\$ 10,349.	276	AM3640RFPA	\$ 2,649.	189
36219100NB00001	\$ 4,599.	276	AM3640RFPAPW	\$ 2,649.	189
36219100NB00002	\$ 7,399.	276	AM3640RFPW	\$ 2,149.	189
36219100NB00003	\$ 9,429.	276	AM3670RFP	\$ 3,749.	189
36219100SB00001	\$ 5,099.	276	BULBFL2402	\$ 199.	307
36219100SB00002	\$ 7,849.	276	BULBFL3602	\$ 199.	307
36219100SB00003	\$ 9,879.	276	CAMM	\$ 49.	295
36279200NB00001	\$ 5,299.	276	DC1630D4BMG__[70/71]	\$ 799.	123
36279200NB00002	\$ 8,529.	276	DC1630D4BMG__[74/75]	\$ 899.	123
36279200NB00003	\$ 11,029.	276	DC1630D4BMG__[76/77]	\$ 1,129.	123
36279200SB00001	\$ 5,799.	276	DC1630D4BMGLE__[70/71]	\$ 1,079.	123
36279200SB00002	\$ 9,029.	276	DC1630D4BMGLE__[74/75]	\$ 1,199.	123
36279200SB00003	\$ 11,499.	276	DC1630D4BMGLE__[76/77]	\$ 1,429.	123
60588200SA00005	\$ 16,264.	222	DC1630D4BMGRE__[70/71]	\$ 1,079.	123
60598300SA00005	\$ 16,264.	222	DC1630D4BMGRE__[74/75]	\$ 1,199.	123
AC2430D4P1L	\$ 2,099.	67	DC1630D4BMGRE__[76/77]	\$ 1,429.	123
AC2430D4P1LA	\$ 2,679.	68	DC1630D4MEG__[70/71]	\$ 799.	129
AC2430D4P1LAW	\$ 2,679.	68	DC1630D4MEG__[74/75]	\$ 899.	129
AC2430D4P1LW	\$ 2,099.	67	DC1630D4MEG__[76/77]	\$ 1,129.	129

[_] denotes Color/Pattern/Style options.

Model Number Price Index

Model Number	Price	Page	Model Number	Price	Page
DC1630D4MEGLE_[70/71]	\$ 1,079.	129	DC1640D6BMG_[70/71]	\$ 1,299.	126
DC1630D4MEGLE_[74/75]	\$ 1,199.	129	DC1640D6BMG_[74/75]	\$ 1,399.	126
DC1630D4MEGLE_[76/77]	\$ 1,429.	129	DC1640D6BMG_[76/77]	\$ 1,629.	126
DC1630D4MEGRE_[70/71]	\$ 1,079.	129	DC1640D6BMGLE_[70/71]	\$ 1,599.	126
DC1630D4MEGRE_[74/75]	\$ 1,199.	129	DC1640D6BMGLE_[74/75]	\$ 1,699.	126
DC1630D4MEGRE_[76/77]	\$ 1,429.	129	DC1640D6BMGLE_[76/77]	\$ 1,929.	126
DC1630D4RMG_[70/71]	\$ 799.	135	DC1640D6BMGRE_[70/71]	\$ 1,599.	126
DC1630D4RMG_[74/75]	\$ 899.	135	DC1640D6BMGRE_[74/75]	\$ 1,699.	126
DC1630D4RMG_[76/77]	\$ 1,129.	135	DC1640D6BMGRE_[76/77]	\$ 1,929.	126
DC1630D4RMGLE_[70/71]	\$ 1,079.	135	DC1640D6MEG_[70/71]	\$ 1,299.	132
DC1630D4RMGLE_[74/75]	\$ 1,199.	135	DC1640D6MEG_[74/75]	\$ 1,399.	132
DC1630D4RMGLE_[76/77]	\$ 1,429.	135	DC1640D6MEG_[76/77]	\$ 1,629.	132
DC1630D4RMGRE_[70/71]	\$ 1,079.	135	DC1640D6MEGLE_[70/71]	\$ 1,599.	132
DC1630D4RMGRE_[74/75]	\$ 1,199.	135	DC1640D6MEGLE_[74/75]	\$ 1,699.	132
DC1630D4RMGRE_[76/77]	\$ 1,429.	135	DC1640D6MEGLE_[76/77]	\$ 1,929.	132
DC1630D6BMG_[70/71]	\$ 1,079.	123	DC1640D6MEGRE_[70/71]	\$ 1,599.	132
DC1630D6BMG_[74/75]	\$ 1,179.	123	DC1640D6MEGRE_[74/75]	\$ 1,699.	132
DC1630D6BMG_[76/77]	\$ 1,399.	123	DC1640D6MEGRE_[76/77]	\$ 1,929.	132
DC1630D6BMGLE_[70/71]	\$ 1,349.	123	DC1640D6RMG_[70/71]	\$ 1,299.	138
DC1630D6BMGLE_[74/75]	\$ 1,499.	123	DC1640D6RMG_[74/75]	\$ 1,399.	138
DC1630D6BMGLE_[76/77]	\$ 1,699.	123	DC1640D6RMG_[76/77]	\$ 1,629.	138
DC1630D6BMGRE_[70/71]	\$ 1,349.	123	DC1640D6RMGLE_[70/71]	\$ 1,599.	138
DC1630D6BMGRE_[74/75]	\$ 1,499.	123	DC1640D6RMGLE_[74/75]	\$ 1,699.	138
DC1630D6BMGRE_[76/77]	\$ 1,699.	123	DC1640D6RMGLE_[76/77]	\$ 1,929.	138
DC1630D6MEG_[70/71]	\$ 1,079.	129	DC1640D6RMGRE_[70/71]	\$ 1,599.	138
DC1630D6MEG_[74/75]	\$ 1,179.	129	DC1640D6RMGRE_[74/75]	\$ 1,699.	138
DC1630D6MEG_[76/77]	\$ 1,399.	129	DC1640D6RMGRE_[76/77]	\$ 1,929.	138
DC1630D6MEGLE_[70/71]	\$ 1,349.	129	DC2030D4BMG_[70/71]	\$ 899.	124
DC1630D6MEGLE_[74/75]	\$ 1,499.	129	DC2030D4BMG_[74/75]	\$ 999.	124
DC1630D6MEGLE_[76/77]	\$ 1,699.	129	DC2030D4BMG_[76/77]	\$ 1,229.	124
DC1630D6MEGRE_[70/71]	\$ 1,349.	129	DC2030D4BMGLE_[70/71]	\$ 1,199.	124
DC1630D6MEGRE_[74/75]	\$ 1,499.	129	DC2030D4BMGLE_[74/75]	\$ 1,299.	124
DC1630D6MEGRE_[76/77]	\$ 1,699.	129	DC2030D4BMGLE_[76/77]	\$ 1,549.	124
DC1630D6RMG_[70/71]	\$ 1,079.	135	DC2030D4BMGRE_[70/71]	\$ 1,199.	124
DC1630D6RMG_[74/75]	\$ 1,179.	135	DC2030D4BMGRE_[74/75]	\$ 1,299.	124
DC1630D6RMG_[76/77]	\$ 1,399.	135	DC2030D4BMGRE_[76/77]	\$ 1,549.	124
DC1630D6RMGLE_[70/71]	\$ 1,349.	135	DC2030D4MEG_[70/71]	\$ 899.	130
DC1630D6RMGLE_[74/75]	\$ 1,499.	135	DC2030D4MEG_[74/75]	\$ 999.	130
DC1630D6RMGLE_[76/77]	\$ 1,699.	135	DC2030D4MEG_[76/77]	\$ 1,229.	130
DC1630D6RMGRE_[70/71]	\$ 1,349.	135	DC2030D4MEGLE_[70/71]	\$ 1,199.	130
DC1630D6RMGRE_[74/75]	\$ 1,499.	135	DC2030D4MEGLE_[74/75]	\$ 1,299.	130
DC1630D6RMGRE_[76/77]	\$ 1,699.	135	DC2030D4MEGLE_[76/77]	\$ 1,549.	130
DC1640D4BMG_[70/71]	\$ 999.	126	DC2030D4MEGRE_[70/71]	\$ 1,199.	130
DC1640D4BMG_[74/75]	\$ 1,129.	126	DC2030D4MEGRE_[74/75]	\$ 1,299.	130
DC1640D4BMG_[76/77]	\$ 1,349.	126	DC2030D4MEGRE_[76/77]	\$ 1,549.	130
DC1640D4BMGLE_[70/71]	\$ 1,299.	126	DC2030D4RMG_[70/71]	\$ 899.	136
DC1640D4BMGLE_[74/75]	\$ 1,429.	126	DC2030D4RMG_[74/75]	\$ 999.	136
DC1640D4BMGLE_[76/77]	\$ 1,649.	126	DC2030D4RMG_[76/77]	\$ 1,229.	136
DC1640D4BMGRE_[70/71]	\$ 1,299.	126	DC2030D4RMGLE_[70/71]	\$ 1,199.	136
DC1640D4BMGRE_[74/75]	\$ 1,429.	126	DC2030D4RMGLE_[74/75]	\$ 1,299.	136
DC1640D4BMGRE_[76/77]	\$ 1,649.	126	DC2030D4RMGLE_[76/77]	\$ 1,549.	136
DC1640D4MEG_[70/71]	\$ 999.	132	DC2030D4RMGRE_[70/71]	\$ 1,199.	136
DC1640D4MEG_[74/75]	\$ 1,129.	132	DC2030D4RMGRE_[74/75]	\$ 1,299.	136
DC1640D4MEG_[76/77]	\$ 1,349.	132	DC2030D4RMGRE_[76/77]	\$ 1,549.	136
DC1640D4MEGLE_[70/71]	\$ 1,299.	132	DC2030D6BMG_[70/71]	\$ 1,179.	124
DC1640D4MEGLE_[74/75]	\$ 1,429.	132	DC2030D6BMG_[74/75]	\$ 1,299.	124
DC1640D4MEGLE_[76/77]	\$ 1,649.	132	DC2030D6BMG_[76/77]	\$ 1,529.	124
DC1640D4MEGRE_[70/71]	\$ 1,299.	132	DC2030D6BMGLE_[70/71]	\$ 1,499.	124
DC1640D4MEGRE_[74/75]	\$ 1,429.	132	DC2030D6BMGLE_[74/75]	\$ 1,599.	124
DC1640D4MEGRE_[76/77]	\$ 1,649.	132	DC2030D6BMGLE_[76/77]	\$ 1,829.	124
DC1640D4RMG_[70/71]	\$ 999.	138	DC2030D6BMGRE_[70/71]	\$ 1,499.	124
DC1640D4RMG_[74/75]	\$ 1,129.	138	DC2030D6BMGRE_[74/75]	\$ 1,599.	124
DC1640D4RMG_[76/77]	\$ 1,349.	138	DC2030D6BMGRE_[76/77]	\$ 1,829.	124
DC1640D4RMGLE_[70/71]	\$ 1,299.	138	DC2030D6MEG_[70/71]	\$ 1,179.	130
DC1640D4RMGLE_[74/75]	\$ 1,429.	138	DC2030D6MEG_[74/75]	\$ 1,299.	130
DC1640D4RMGLE_[76/77]	\$ 1,649.	138	DC2030D6MEG_[76/77]	\$ 1,529.	130
DC1640D4RMGRE_[70/71]	\$ 1,299.	138	DC2030D6MEGLE_[70/71]	\$ 1,499.	130
DC1640D4RMGRE_[74/75]	\$ 1,429.	138	DC2030D6MEGLE_[74/75]	\$ 1,599.	130
DC1640D4RMGRE_[76/77]	\$ 1,649.	138	DC2030D6MEGLE_[76/77]	\$ 1,829.	130

__[] denotes Color/Pattern/Style options.

Model Number Price Index

Model Number	Price	Page	Model Number	Price	Page
DC2030D6MEGRE__ [70/71]	\$ 1,499.	130	DC2430D4BMGLE__ [70/71]	\$ 1,299.	125
DC2030D6MEGRE__ [74/75]	\$ 1,599.	130	DC2430D4BMGLE__ [74/75]	\$ 1,429.	125
DC2030D6MEGRE__ [76/77]	\$ 1,829.	130	DC2430D4BMGLE__ [76/77]	\$ 1,649.	125
DC2030D6RMG__ [70/71]	\$ 1,179.	136	DC2430D4BMGRE__ [70/71]	\$ 1,299.	125
DC2030D6RMG__ [74/75]	\$ 1,299.	136	DC2430D4BMGRE__ [74/75]	\$ 1,429.	125
DC2030D6RMG__ [76/77]	\$ 1,529.	136	DC2430D4BMGRE__ [76/77]	\$ 1,649.	125
DC2030D6RMGLE__ [70/71]	\$ 1,499.	136	DC2430D4MEG__ [70/71]	\$ 999.	131
DC2030D6RMGLE__ [74/75]	\$ 1,599.	136	DC2430D4MEG__ [74/75]	\$ 1,129.	131
DC2030D6RMGLE__ [76/77]	\$ 1,829.	136	DC2430D4MEG__ [76/77]	\$ 1,349.	131
DC2030D6RMGRE__ [70/71]	\$ 1,499.	136	DC2430D4MEGLE__ [70/71]	\$ 1,299.	131
DC2030D6RMGRE__ [74/75]	\$ 1,599.	136	DC2430D4MEGLE__ [74/75]	\$ 1,429.	131
DC2030D6RMGRE__ [76/77]	\$ 1,829.	136	DC2430D4MEGLE__ [76/77]	\$ 1,649.	131
DC2040D4BMG__ [70/71]	\$ 1,129.	127	DC2430D4MEGRE__ [70/71]	\$ 1,299.	131
DC2040D4BMG__ [74/75]	\$ 1,229.	127	DC2430D4MEGRE__ [74/75]	\$ 1,429.	131
DC2040D4BMG__ [76/77]	\$ 1,479.	127	DC2430D4MEGRE__ [76/77]	\$ 1,649.	131
DC2040D4BMGLE__ [70/71]	\$ 1,429.	127	DC2430D4RMG__ [70/71]	\$ 999.	137
DC2040D4BMGLE__ [74/75]	\$ 1,549.	127	DC2430D4RMG__ [74/75]	\$ 1,129.	137
DC2040D4BMGLE__ [76/77]	\$ 1,749.	127	DC2430D4RMG__ [76/77]	\$ 1,349.	137
DC2040D4BMGRE__ [70/71]	\$ 1,429.	127	DC2430D4RMGLE__ [70/71]	\$ 1,299.	137
DC2040D4BMGRE__ [74/75]	\$ 1,549.	127	DC2430D4RMGLE__ [74/75]	\$ 1,429.	137
DC2040D4BMGRE__ [76/77]	\$ 1,749.	127	DC2430D4RMGLE__ [76/77]	\$ 1,649.	137
DC2040D4MEG__ [70/71]	\$ 1,129.	133	DC2430D4RMGRE__ [70/71]	\$ 1,299.	137
DC2040D4MEG__ [74/75]	\$ 1,229.	133	DC2430D4RMGRE__ [74/75]	\$ 1,429.	137
DC2040D4MEG__ [76/77]	\$ 1,479.	133	DC2430D4RMGRE__ [76/77]	\$ 1,649.	137
DC2040D4MEGLE__ [70/71]	\$ 1,429.	133	DC2430D6BMG__ [70/71]	\$ 1,299.	125
DC2040D4MEGLE__ [74/75]	\$ 1,549.	133	DC2430D6BMG__ [74/75]	\$ 1,399.	125
DC2040D4MEGLE__ [76/77]	\$ 1,749.	133	DC2430D6BMG__ [76/77]	\$ 1,629.	125
DC2040D4MEGRE__ [70/71]	\$ 1,429.	133	DC2430D6BMGLE__ [70/71]	\$ 1,599.	125
DC2040D4MEGRE__ [74/75]	\$ 1,549.	133	DC2430D6BMGLE__ [74/75]	\$ 1,699.	125
DC2040D4MEGRE__ [76/77]	\$ 1,749.	133	DC2430D6BMGLE__ [76/77]	\$ 1,929.	125
DC2040D4RMG__ [70/71]	\$ 1,129.	139	DC2430D6BMGRE__ [70/71]	\$ 1,599.	125
DC2040D4RMG__ [74/75]	\$ 1,229.	139	DC2430D6BMGRE__ [74/75]	\$ 1,699.	125
DC2040D4RMG__ [76/77]	\$ 1,479.	139	DC2430D6BMGRE__ [76/77]	\$ 1,929.	125
DC2040D4RMGLE__ [70/71]	\$ 1,429.	139	DC2430D6MEG__ [70/71]	\$ 1,299.	131
DC2040D4RMGLE__ [74/75]	\$ 1,549.	139	DC2430D6MEG__ [74/75]	\$ 1,399.	131
DC2040D4RMGLE__ [76/77]	\$ 1,749.	139	DC2430D6MEG__ [76/77]	\$ 1,629.	131
DC2040D4RMGRE__ [70/71]	\$ 1,429.	139	DC2430D6MEGLE__ [70/71]	\$ 1,599.	131
DC2040D4RMGRE__ [74/75]	\$ 1,549.	139	DC2430D6MEGLE__ [74/75]	\$ 1,699.	131
DC2040D4RMGRE__ [76/77]	\$ 1,749.	139	DC2430D6MEGLE__ [76/77]	\$ 1,929.	131
DC2040D6BMG__ [70/71]	\$ 1,399.	127	DC2430D6MEGRE__ [70/71]	\$ 1,599.	131
DC2040D6BMG__ [74/75]	\$ 1,529.	127	DC2430D6MEGRE__ [74/75]	\$ 1,699.	131
DC2040D6BMG__ [76/77]	\$ 1,729.	127	DC2430D6MEGRE__ [76/77]	\$ 1,929.	131
DC2040D6BMGLE__ [70/71]	\$ 1,699.	127	DC2430D6RMG__ [70/71]	\$ 1,299.	137
DC2040D6BMGLE__ [74/75]	\$ 1,829.	127	DC2430D6RMG__ [74/75]	\$ 1,399.	137
DC2040D6BMGLE__ [76/77]	\$ 2,049.	127	DC2430D6RMG__ [76/77]	\$ 1,629.	137
DC2040D6BMGRE__ [70/71]	\$ 1,699.	127	DC2430D6RMGLE__ [70/71]	\$ 1,599.	137
DC2040D6BMGRE__ [74/75]	\$ 1,829.	127	DC2430D6RMGLE__ [74/75]	\$ 1,699.	137
DC2040D6BMGRE__ [76/77]	\$ 2,049.	127	DC2430D6RMGLE__ [76/77]	\$ 1,929.	137
DC2040D6MEG__ [70/71]	\$ 1,399.	133	DC2430D6RMGRE__ [70/71]	\$ 1,599.	137
DC2040D6MEG__ [74/75]	\$ 1,529.	133	DC2430D6RMGRE__ [74/75]	\$ 1,699.	137
DC2040D6MEG__ [76/77]	\$ 1,729.	133	DC2430D6RMGRE__ [76/77]	\$ 1,929.	137
DC2040D6MEGLE__ [70/71]	\$ 1,699.	133	DC2440D4BMG__ [70/71]	\$ 1,229.	128
DC2040D6MEGLE__ [74/75]	\$ 1,829.	133	DC2440D4BMG__ [74/75]	\$ 1,349.	128
DC2040D6MEGLE__ [76/77]	\$ 2,049.	133	DC2440D4BMG__ [76/77]	\$ 1,579.	128
DC2040D6MEGRE__ [70/71]	\$ 1,699.	133	DC2440D4BMGLE__ [70/71]	\$ 1,549.	128
DC2040D6MEGRE__ [74/75]	\$ 1,829.	133	DC2440D4BMGLE__ [74/75]	\$ 1,649.	128
DC2040D6MEGRE__ [76/77]	\$ 2,049.	133	DC2440D4BMGLE__ [76/77]	\$ 1,879.	128
DC2040D6RMG__ [70/71]	\$ 1,399.	139	DC2440D4BMGRE__ [70/71]	\$ 1,549.	128
DC2040D6RMG__ [74/75]	\$ 1,529.	139	DC2440D4BMGRE__ [74/75]	\$ 1,649.	128
DC2040D6RMG__ [76/77]	\$ 1,729.	139	DC2440D4BMGRE__ [76/77]	\$ 1,879.	128
DC2040D6RMGLE__ [70/71]	\$ 1,699.	139	DC2440D4MEG__ [70/71]	\$ 1,229.	134
DC2040D6RMGLE__ [74/75]	\$ 1,829.	139	DC2440D4MEG__ [74/75]	\$ 1,349.	134
DC2040D6RMGLE__ [76/77]	\$ 2,049.	139	DC2440D4MEG__ [76/77]	\$ 1,579.	134
DC2040D6RMGRE__ [70/71]	\$ 1,699.	139	DC2440D4MEGLE__ [70/71]	\$ 1,549.	134
DC2040D6RMGRE__ [74/75]	\$ 1,829.	139	DC2440D4MEGLE__ [74/75]	\$ 1,649.	134
DC2040D6RMGRE__ [76/77]	\$ 2,049.	139	DC2440D4MEGLE__ [76/77]	\$ 1,879.	134
DC2430D4BMG__ [70/71]	\$ 999.	125	DC2440D4MEGRE__ [70/71]	\$ 1,549.	134
DC2430D4BMG__ [74/75]	\$ 1,129.	125	DC2440D4MEGRE__ [74/75]	\$ 1,649.	134
DC2430D4BMG__ [76/77]	\$ 1,349.	125	DC2440D4MEGRE__ [76/77]	\$ 1,879.	134

__ [] denotes Color/Pattern/Style options.

Model Number Price Index

Model Number	Price	Page	Model Number	Price	Page
DC2440D4RMG__ [70/71]	\$ 1,229.	140	DM2040BM__ [70/71]	\$ 929.	205
DC2440D4RMG__ [74/75]	\$ 1,349.	140	DM2040BM__ [74/75]	\$ 1,049.	205
DC2440D4RMG__ [76/77]	\$ 1,579.	140	DM2040BM__ [76/77]	\$ 1,299.	205
DC2440D4RMGLE__ [70/71]	\$ 1,549.	140	DM2040ME__ [70/71]	\$ 929.	205
DC2440D4RMGLE__ [74/75]	\$ 1,649.	140	DM2040ME__ [74/75]	\$ 1,049.	205
DC2440D4RMGLE__ [76/77]	\$ 1,879.	140	DM2040ME__ [76/77]	\$ 1,299.	205
DC2440D4RMGRE__ [70/71]	\$ 1,549.	140	DM2040RM__ [70/71]	\$ 929.	205
DC2440D4RMGRE__ [74/75]	\$ 1,649.	140	DM2040RM__ [74/75]	\$ 1,049.	205
DC2440D4RMGRE__ [76/77]	\$ 1,879.	140	DM2040RM__ [76/77]	\$ 1,299.	205
DC2440D6BMG__ [70/71]	\$ 1,529.	128	DM2430BM__ [70/71]	\$ 829.	205
DC2440D6BMG__ [74/75]	\$ 1,629.	128	DM2430BM__ [74/75]	\$ 929.	205
DC2440D6BMG__ [76/77]	\$ 1,829.	128	DM2430BM__ [76/77]	\$ 1,149.	205
DC2440D6BMGLE__ [70/71]	\$ 1,829.	128	DM2430ME__ [70/71]	\$ 829.	205
DC2440D6BMGLE__ [74/75]	\$ 1,929.	128	DM2430ME__ [74/75]	\$ 929.	205
DC2440D6BMGLE__ [76/77]	\$ 2,199.	128	DM2430ME__ [76/77]	\$ 1,149.	205
DC2440D6BMGRE__ [70/71]	\$ 1,829.	128	DM2430RM__ [70/71]	\$ 829.	205
DC2440D6BMGRE__ [74/75]	\$ 1,929.	128	DM2430RM__ [74/75]	\$ 929.	205
DC2440D6BMGRE__ [76/77]	\$ 2,199.	128	DM2430RM__ [76/77]	\$ 1,149.	205
DC2440D6MEG__ [70/71]	\$ 1,529.	134	DM2440BM__ [70/71]	\$ 1,049.	205
DC2440D6MEG__ [74/75]	\$ 1,629.	134	DM2440BM__ [74/75]	\$ 1,149.	205
DC2440D6MEG__ [76/77]	\$ 1,829.	134	DM2440BM__ [76/77]	\$ 1,399.	205
DC2440D6MEGLE__ [70/71]	\$ 1,829.	134	DM2440ME__ [70/71]	\$ 1,049.	205
DC2440D6MEGLE__ [74/75]	\$ 1,929.	134	DM2440ME__ [74/75]	\$ 1,149.	205
DC2440D6MEGLE__ [76/77]	\$ 2,199.	134	DM2440ME__ [76/77]	\$ 1,399.	205
DC2440D6MEGRE__ [70/71]	\$ 1,829.	134	DM2440RM__ [70/71]	\$ 1,049.	205
DC2440D6MEGRE__ [74/75]	\$ 1,929.	134	DM2440RM__ [74/75]	\$ 1,149.	205
DC2440D6MEGRE__ [76/77]	\$ 2,199.	134	DM2440RM__ [76/77]	\$ 1,399.	205
DC2440D6RMG__ [70/71]	\$ 1,529.	140	ENTICE	\$ 449.	294
DC2440D6RMG__ [74/75]	\$ 1,629.	140	ENTICEDOCK	\$ 499.	294
DC2440D6RMG__ [76/77]	\$ 1,829.	140	GLA30ELPS3D	\$ 599.	162
DC2440D6RMGLE__ [70/71]	\$ 1,829.	140	GLA36ELPS3D	\$ 699.	162
DC2440D6RMGLE__ [74/75]	\$ 1,929.	140	GLA40ELPS3D	\$ 799.	162
DC2440D6RMGLE__ [76/77]	\$ 2,199.	140	GLASSBIN3.25	\$ 49.	301, 296
DC2440D6RMGRE__ [70/71]	\$ 1,829.	140	GLASSBIN5.25	\$ 49.	301, 296
DC2440D6RMGRE__ [74/75]	\$ 1,929.	140	GLASSBIN6.38	\$ 49.	301
DC2440D6RMGRE__ [76/77]	\$ 2,199.	140	GLASSBIN8.5	\$ 49.	301, 296
DLB-16	\$ 399.	294	GLB30MLSS3D	\$ 349.	162
DLB-20	\$ 399.	294	GLB30ULSS3D	\$ 399.	162
DLB-24	\$ 399.	294	GLB36MLSS3D	\$ 399.	162
DLB-R20	\$ 399.	151, 294	GLB36ULSS3D	\$ 449.	162
DLB-R24	\$ 399.	152, 294	GLB40MLSS3D	\$ 449.	162
DLB-UPLIFT	\$ 399.	63, 294	GLB40ULSS3D	\$ 499.	162
DLB-UPLIFT24	\$ 399.	63, 294	LAV1UM-101	\$ 449.	286, 302
DM1630BM__ [70/71]	\$ 599.	205	MA-TRAY2.5	\$ 29.	296
DM1630BM__ [74/75]	\$ 729.	205	MA-TRAY3	\$ 29.	296
DM1630BM__ [76/77]	\$ 929.	205	MA-TRAYS	\$ 29.	296
DM1630ME__ [70/71]	\$ 599.	205	MBK16D4A	\$ 99.	299
DM1630ME__ [74/75]	\$ 729.	205	MBK16D6A	\$ 99.	299
DM1630ME__ [76/77]	\$ 929.	205	MBK16D6ASR	\$ 99.	299
DM1630RM__ [70/71]	\$ 599.	205	MBK16D8A	\$ 99.	299
DM1630RM__ [74/75]	\$ 729.	205	MBK16D8ASR	\$ 99.	299
DM1630RM__ [76/77]	\$ 929.	205	MBK20D4A	\$ 99.	299
DM1640BM__ [70/71]	\$ 829.	205	MBK20D6A	\$ 99.	299
DM1640BM__ [74/75]	\$ 929.	205	MBK20D6ASR	\$ 99.	299
DM1640BM__ [76/77]	\$ 1,149.	205	MBK20D8A	\$ 99.	299
DM1640ME__ [70/71]	\$ 829.	205	MBK20D8ASR	\$ 99.	299
DM1640ME__ [74/75]	\$ 929.	205	MBK24D4A	\$ 99.	299
DM1640ME__ [76/77]	\$ 1,149.	205	MBK24D6A	\$ 99.	299
DM1640RM__ [70/71]	\$ 829.	205	MBK24D6ASR	\$ 99.	299
DM1640RM__ [74/75]	\$ 929.	205	MBK24D8A	\$ 99.	299
DM1640RM__ [76/77]	\$ 1,149.	205	MBK24D8ASR	\$ 99.	299
DM2030BM__ [70/71]	\$ 729.	205	MC1230D4FBL	\$ 879.	100
DM2030BM__ [74/75]	\$ 829.	205	MC1230D4FBLE2	\$ 1,299.	100
DM2030BM__ [76/77]	\$ 1,049.	205	MC1230D4FBR	\$ 879.	100
DM2030ME__ [70/71]	\$ 729.	205	MC1230D4FBRE2	\$ 1,299.	100
DM2030ME__ [74/75]	\$ 829.	205	MC1230D4FPL	\$ 879.	100
DM2030ME__ [76/77]	\$ 1,049.	205	MC1230D4FPLE2	\$ 1,299.	100
DM2030RM__ [70/71]	\$ 729.	205	MC1230D4FPR	\$ 879.	100
DM2030RM__ [74/75]	\$ 829.	205	MC1230D4FPRE2	\$ 1,299.	100
DM2030RM__ [76/77]	\$ 1,049.	205			

__[] denotes Color/Pattern/Style options.

Model Number Price Index

Model Number	Price	Page	Model Number	Price	Page
MC1230D6FBL	\$ 1,149.	100	MC1630D8FBR	\$ 1,349.	102
MC1230D6FBLE2	\$ 1,599.	100	MC1630D8FBRE2	\$ 1,829.	102
MC1230D6FBR	\$ 1,149.	100	MC1630D8FBRE4	\$ 2,199.	102
MC1230D6FBRE2	\$ 1,599.	100	MC1630D8FPL	\$ 1,349.	102
MC1230D6FPL	\$ 1,149.	100	MC1630D8FPLE2	\$ 1,829.	102
MC1230D6FPLE2	\$ 1,599.	100	MC1630D8FPLE4	\$ 2,199.	102
MC1230D6FPR	\$ 1,149.	100	MC1630D8FPR	\$ 1,349.	102
MC1230D6FPRE2	\$ 1,599.	100	MC1630D8FPRE2	\$ 1,829.	102
MC1240D4FBL	\$ 1,199.	108	MC1630D8FPRE4	\$ 2,199.	102
MC1240D4FBLE2	\$ 1,649.	108	MC1640D4ABL	\$ 1,599.	110
MC1240D4FBR	\$ 1,199.	108	MC1640D4ABLE2	\$ 2,079.	110
MC1240D4FBRE2	\$ 1,649.	108	MC1640D4ABLE4	\$ 2,429.	110
MC1240D4FPL	\$ 1,199.	108	MC1640D4ABR	\$ 1,599.	110
MC1240D4FPLE2	\$ 1,649.	108	MC1640D4ABRE2	\$ 2,079.	110
MC1240D4FPR	\$ 1,199.	108	MC1640D4ABRE4	\$ 2,429.	110
MC1240D4FPRE2	\$ 1,649.	108	MC1640D4FBL	\$ 1,299.	110
MC1240D6FBL	\$ 1,499.	108	MC1640D4FBLE2	\$ 1,779.	110
MC1240D6FBLE2	\$ 1,929.	108	MC1640D4FBLE4	\$ 2,149.	110
MC1240D6FBR	\$ 1,499.	108	MC1640D4FBR	\$ 1,299.	110
MC1240D6FBRE2	\$ 1,929.	108	MC1640D4FBRE2	\$ 1,779.	110
MC1240D6FPL	\$ 1,499.	108	MC1640D4FBRE4	\$ 2,149.	110
MC1240D6FPLE2	\$ 1,929.	108	MC1640D4FPL	\$ 1,299.	110
MC1240D6FPR	\$ 1,499.	108	MC1640D4FPLE2	\$ 1,779.	110
MC1240D6FPRE2	\$ 1,929.	108	MC1640D4FPLE4	\$ 2,149.	110
MC1630D4ABL	\$ 1,249.	102	MC1640D4FPR	\$ 1,299.	110
MC1630D4ABLE2	\$ 1,729.	102	MC1640D4FPRE2	\$ 1,779.	110
MC1630D4ABLE4	\$ 2,079.	102	MC1640D4FPRE4	\$ 2,149.	110
MC1630D4ABR	\$ 1,249.	102	MC1640D6ABL	\$ 1,879.	110
MC1630D4ABRE2	\$ 1,729.	102	MC1640D6ABLE2	\$ 2,379.	110
MC1630D4ABRE4	\$ 2,079.	102	MC1640D6ABLE4	\$ 2,699.	110
MC1630D4FBL	\$ 979.	102	MC1640D6ABR	\$ 1,879.	110
MC1630D4FBLE2	\$ 1,449.	102	MC1640D6ABRE2	\$ 2,379.	110
MC1630D4FBLE4	\$ 1,779.	102	MC1640D6ABRE4	\$ 2,699.	110
MC1630D4FBR	\$ 979.	102	MC1640D6FBL	\$ 1,599.	110
MC1630D4FBRE2	\$ 1,449.	102	MC1640D6FBLE2	\$ 2,079.	110
MC1630D4FBRE4	\$ 1,779.	102	MC1640D6FBLE4	\$ 2,429.	110
MC1630D4FPL	\$ 979.	102	MC1640D6FBR	\$ 1,599.	110
MC1630D4FPLE2	\$ 1,449.	102	MC1640D6FBRE2	\$ 2,079.	110
MC1630D4FPLE4	\$ 1,779.	102	MC1640D6FBRE4	\$ 2,429.	110
MC1630D4FPR	\$ 979.	102	MC1640D6FPL	\$ 1,599.	110
MC1630D4FPRE2	\$ 1,449.	102	MC1640D6FPLE2	\$ 2,079.	110
MC1630D4FPRE4	\$ 1,779.	102	MC1640D6FPLE4	\$ 2,429.	110
MC1630D6ABL	\$ 1,549.	102	MC1640D6FPR	\$ 1,599.	110
MC1630D6ABLE2	\$ 2,029.	102	MC1640D6FPRE2	\$ 2,079.	110
MC1630D6ABLE4	\$ 2,379.	102	MC1640D6FPRE4	\$ 2,429.	110
MC1630D6ABR	\$ 1,549.	102	MC1640D8ABL	\$ 2,029.	110
MC1630D6ABRE2	\$ 2,029.	102	MC1640D8ABLE2	\$ 2,479.	110
MC1630D6ABRE4	\$ 2,379.	102	MC1640D8ABLE4	\$ 2,799.	110
MC1630D6FBL	\$ 1,249.	102	MC1640D8ABR	\$ 2,029.	110
MC1630D6FBLE2	\$ 1,729.	102	MC1640D8ABRE2	\$ 2,479.	110
MC1630D6FBLE4	\$ 2,079.	102	MC1640D8ABRE4	\$ 2,799.	110
MC1630D6FBR	\$ 1,249.	102	MC1640D8FBL	\$ 1,729.	110
MC1630D6FBRE2	\$ 1,729.	102	MC1640D8FBLE2	\$ 2,199.	110
MC1630D6FBRE4	\$ 2,079.	102	MC1640D8FBLE4	\$ 2,529.	110
MC1630D6FPL	\$ 1,249.	102	MC1640D8FBR	\$ 1,729.	110
MC1630D6FPLE2	\$ 1,729.	102	MC1640D8FBRE2	\$ 2,199.	110
MC1630D6FPLE4	\$ 2,079.	102	MC1640D8FBRE4	\$ 2,529.	110
MC1630D6FPR	\$ 1,249.	102	MC1640D8FPL	\$ 1,729.	110
MC1630D6FPRE2	\$ 1,729.	102	MC1640D8FPLE2	\$ 2,199.	110
MC1630D6FPRE4	\$ 2,079.	102	MC1640D8FPLE4	\$ 2,529.	110
MC1630D8ABL	\$ 1,649.	102	MC1640D8FPR	\$ 1,729.	110
MC1630D8ABLE2	\$ 2,149.	102	MC1640D8FPRE2	\$ 2,199.	110
MC1630D8ABLE4	\$ 2,479.	102	MC1640D8FPRE4	\$ 2,529.	110
MC1630D8ABR	\$ 1,649.	102	MC1670D4__[11/20/21]L	\$ 3,099.	116
MC1630D8ABRE2	\$ 2,149.	102	MC1670D4__[12/19/23/24/25]L	\$ 4,149.	116
MC1630D8ABRE4	\$ 2,479.	102	MC1670D4__[22/26/27/28]L	\$ 3,629.	116
MC1630D8FBL	\$ 1,349.	102	MC1670D4__[11/20/21]LE2	\$ 3,579.	116
MC1630D8FBLE2	\$ 1,829.	102	MC1670D4__[12/19/23/24/25]LE2	\$ 4,599.	116
MC1630D8FBLE4	\$ 2,199.	102	MC1670D4__[22/26/27/28]LE2	\$ 4,079.	116
			MC1670D4__[FB/FP]L	\$ 2,579.	116
			MC1670D4__[FB/FP]LE2	\$ 3,049.	116

__[] denotes Color/Pattern/Style options.

Model Number Price Index

Model Number	Price	Page
MC1670D4__ [11/20/21]R	\$ 3,099.	116
MC1670D4__ [12/19/23/24/25]R	\$ 4,149.	116
MC1670D4__ [22/26/27/28]R	\$ 3,629.	116
MC1670D4__ [11/20/21]RE2	\$ 3,579.	116
MC1670D4__ [12/19/23/24/25]RE2	\$ 4,599.	116
MC1670D4__ [22/26/27/28]RE2	\$ 4,079.	116
MC1670D4__ [FB/FP]R	\$ 2,579.	116
MC1670D4__ [FB/FP]RE2	\$ 3,049.	116
MC1670D6__ [11/20/21]L	\$ 3,399.	116
MC1670D6__ [12/19/23/24/25]L	\$ 4,429.	116
MC1670D6__ [22/26/27/28]L	\$ 3,929.	116
MC1670D6__ [11/20/21]LE2	\$ 3,879.	116
MC1670D6__ [12/19/23/24/25]LE2	\$ 4,879.	116
MC1670D6__ [22/26/27/28]LE2	\$ 4,379.	116
MC1670D6__ [FB/FP]L	\$ 2,849.	116
MC1670D6__ [FB/FP]LE2	\$ 3,349.	116
MC1670D6__ [11/20/21]R	\$ 3,399.	116
MC1670D6__ [12/19/23/24/25]R	\$ 4,429.	116
MC1670D6__ [22/26/27/28]R	\$ 3,929.	116
MC1670D6__ [11/20/21]RE2	\$ 3,879.	116
MC1670D6__ [12/19/23/24/25]RE2	\$ 4,879.	116
MC1670D6__ [22/26/27/28]RE2	\$ 4,379.	116
MC1670D6__ [FB/FP]R	\$ 2,849.	116
MC1670D6__ [FB/FP]RE2	\$ 3,349.	116
MC1670D8__ [11/20/21]L	\$ 3,529.	116
MC1670D8__ [12/19/23/24/25]L	\$ 4,529.	116
MC1670D8__ [22/26/27/28]L	\$ 4,029.	116
MC1670D8__ [11/20/21]LE2	\$ 3,979.	116
MC1670D8__ [12/19/23/24/25]LE2	\$ 4,999.	116
MC1670D8__ [22/26/27/28]LE2	\$ 4,479.	116
MC1670D8__ [FB/FP]L	\$ 2,979.	116
MC1670D8__ [FB/FP]LE2	\$ 3,449.	116
MC1670D8__ [11/20/21]R	\$ 3,529.	116
MC1670D8__ [12/19/23/24/25]R	\$ 4,529.	116
MC1670D8__ [22/26/27/28]R	\$ 4,029.	116
MC1670D8__ [11/20/21]RE2	\$ 3,979.	116
MC1670D8__ [12/19/23/24/25]RE2	\$ 4,999.	116
MC1670D8__ [22/26/27/28]RE2	\$ 4,479.	116
MC1670D8__ [FB/FP]R	\$ 2,979.	116
MC1670D8__ [FB/FP]RE2	\$ 3,449.	116
MC2030D4ABL	\$ 1,449.	104
MC2030D4ABLE2	\$ 1,879.	104
MC2030D4ABLE4	\$ 2,249.	104
MC2030D4ABR	\$ 1,449.	104
MC2030D4ABRE2	\$ 1,879.	104
MC2030D4ABRE4	\$ 2,249.	104
MC2030D4FBL	\$ 1,149.	104
MC2030D4FBLE2	\$ 1,599.	104
MC2030D4FBLE4	\$ 1,929.	104
MC2030D4FBR	\$ 1,149.	104
MC2030D4FBRE2	\$ 1,599.	104
MC2030D4FBRE4	\$ 1,929.	104
MC2030D4FPL	\$ 1,149.	104
MC2030D4FPLE2	\$ 1,599.	104
MC2030D4FPLE4	\$ 1,929.	104
MC2030D4FPR	\$ 1,149.	104
MC2030D4FPRE2	\$ 1,599.	104
MC2030D4FPRE4	\$ 1,929.	104
MC2030D6ABL	\$ 1,729.	104
MC2030D6ABLE2	\$ 2,199.	104
MC2030D6ABLE4	\$ 2,529.	104
MC2030D6ABR	\$ 1,729.	104
MC2030D6ABRE2	\$ 2,199.	104
MC2030D6ABRE4	\$ 2,529.	104
MC2030D6FBL	\$ 1,449.	104
MC2030D6FBLE2	\$ 1,879.	104
MC2030D6FBLE4	\$ 2,249.	104
MC2030D6FBR	\$ 1,449.	104
MC2030D6FBRE2	\$ 1,879.	104
MC2030D6FBRE4	\$ 2,249.	104

Model Number	Price	Page
MC2030D6FPL	\$ 1,449.	104
MC2030D6FPLE2	\$ 1,879.	104
MC2030D6FPLE4	\$ 2,249.	104
MC2030D6FPR	\$ 1,449.	104
MC2030D6FPRE2	\$ 1,879.	104
MC2030D6FPRE4	\$ 2,249.	104
MC2030D8ABL	\$ 1,829.	104
MC2030D8ABLE2	\$ 2,329.	104
MC2030D8ABLE4	\$ 2,649.	104
MC2030D8ABR	\$ 1,829.	104
MC2030D8ABRE2	\$ 2,329.	104
MC2030D8ABRE4	\$ 2,649.	104
MC2030D8FBL	\$ 1,549.	104
MC2030D8FBLE2	\$ 2,029.	104
MC2030D8FBLE4	\$ 2,379.	104
MC2030D8FBR	\$ 1,549.	104
MC2030D8FBRE2	\$ 2,029.	104
MC2030D8FBRE4	\$ 2,379.	104
MC2030D8FPL	\$ 1,549.	104
MC2030D8FPLE2	\$ 2,029.	104
MC2030D8FPLE4	\$ 2,379.	104
MC2030D8FPR	\$ 1,549.	104
MC2030D8FPRE2	\$ 2,029.	104
MC2030D8FPRE4	\$ 2,379.	104
MC2040D4ABL	\$ 1,729.	112
MC2040D4ABLE2	\$ 2,199.	112
MC2040D4ABLE4	\$ 2,529.	112
MC2040D4ABR	\$ 1,729.	112
MC2040D4ABRE2	\$ 2,199.	112
MC2040D4ABRE4	\$ 2,529.	112
MC2040D4FBL	\$ 1,449.	112
MC2040D4FBLE2	\$ 1,879.	112
MC2040D4FBLE4	\$ 2,249.	112
MC2040D4FBR	\$ 1,449.	112
MC2040D4FBRE2	\$ 1,879.	112
MC2040D4FBRE4	\$ 2,249.	112
MC2040D4FPL	\$ 1,449.	112
MC2040D4FPLE2	\$ 1,879.	112
MC2040D4FPLE4	\$ 2,249.	112
MC2040D4FPR	\$ 1,449.	112
MC2040D4FPRE2	\$ 1,879.	112
MC2040D4FPRE4	\$ 2,249.	112
MC2040D6ABL	\$ 2,029.	112
MC2040D6ABLE2	\$ 2,479.	112
MC2040D6ABLE4	\$ 2,799.	112
MC2040D6ABR	\$ 2,029.	112
MC2040D6ABRE2	\$ 2,479.	112
MC2040D6ABRE4	\$ 2,799.	112
MC2040D6FBL	\$ 1,729.	112
MC2040D6FBLE2	\$ 2,199.	112
MC2040D6FBLE4	\$ 2,529.	112
MC2040D6FBR	\$ 1,729.	112
MC2040D6FBRE2	\$ 2,199.	112
MC2040D6FBRE4	\$ 2,529.	112
MC2040D6FPL	\$ 1,729.	112
MC2040D6FPLE2	\$ 2,199.	112
MC2040D6FPLE4	\$ 2,529.	112
MC2040D6FPR	\$ 1,729.	112
MC2040D6FPRE2	\$ 2,199.	112
MC2040D6FPRE4	\$ 2,529.	112
MC2040D8ABL	\$ 2,149.	112
MC2040D8ABLE2	\$ 2,579.	112
MC2040D8ABLE4	\$ 2,929.	112
MC2040D8ABR	\$ 2,149.	112
MC2040D8ABRE2	\$ 2,579.	112
MC2040D8ABRE4	\$ 2,929.	112
MC2040D8FBL	\$ 1,829.	112
MC2040D8FBLE2	\$ 2,329.	112
MC2040D8FBLE4	\$ 2,649.	112

__ [] denotes Color/Pattern/Style options.

Model Number Price Index

Model Number	Price	Page	Model Number	Price	Page
MC2040D8FBR	\$ 1,829.	112	MC2430D4FPL	\$ 1,199.	106
MC2040D8FBRE2	\$ 2,329.	112	MC2430D4FPLE2	\$ 1,649.	106
MC2040D8FBRE4	\$ 2,649.	112	MC2430D4FPLE4	\$ 2,029.	106
MC2040D8FPL	\$ 1,829.	112	MC2430D4FPR	\$ 1,199.	106
MC2040D8FPLE2	\$ 2,329.	112	MC2430D4FPRE2	\$ 1,649.	106
MC2040D8FPLE4	\$ 2,649.	112	MC2430D4FPRE4	\$ 2,029.	106
MC2040D8FPR	\$ 1,829.	112	MC2430D6ABL	\$ 1,779.	106
MC2040D8FPRE2	\$ 2,329.	112	MC2430D6ABLE2	\$ 2,249.	106
MC2040D8FPRE4	\$ 2,649.	112	MC2430D6ABLE4	\$ 2,579.	106
MC2070D4__ [11/20/21] L	\$ 3,449.	118	MC2430D6ABR	\$ 1,779.	106
MC2070D4__ [12/19/23/24/25] L	\$ 4,599.	118	MC2430D6ABRE2	\$ 2,249.	106
MC2070D4__ [22/26/27/28] L	\$ 4,029.	118	MC2430D6ABRE4	\$ 2,579.	106
MC2070D4__ [11/20/21] LE2	\$ 3,929.	118	MC2430D6FBL	\$ 1,499.	106
MC2070D4__ [12/19/23/24/25] LE2	\$ 5,079.	118	MC2430D6FBLE2	\$ 1,929.	106
MC2070D4__ [22/26/27/28] LE2	\$ 4,479.	118	MC2430D6FBLE4	\$ 2,329.	106
MC2070D4__ [FB/FP] L	\$ 2,849.	118	MC2430D6FBR	\$ 1,499.	106
MC2070D4__ [FB/FP] LE2	\$ 3,349.	118	MC2430D6FBRE2	\$ 1,929.	106
MC2070D4__ [11/20/21] R	\$ 3,449.	118	MC2430D6FBRE4	\$ 2,329.	106
MC2070D4__ [12/19/23/24/25] R	\$ 4,599.	118	MC2430D6FPL	\$ 1,499.	106
MC2070D4__ [22/26/27/28] R	\$ 4,029.	118	MC2430D6FPLE2	\$ 1,929.	106
MC2070D4__ [11/20/21] RE2	\$ 3,929.	118	MC2430D6FPLE4	\$ 2,329.	106
MC2070D4__ [12/19/23/24/25] RE2	\$ 5,079.	118	MC2430D6FPR	\$ 1,499.	106
MC2070D4__ [22/26/27/28] RE2	\$ 4,479.	118	MC2430D6FPRE2	\$ 1,929.	106
MC2070D4__ [FB/FP] R	\$ 2,849.	118	MC2430D6FPRE4	\$ 2,329.	106
MC2070D4__ [FB/FP] RE2	\$ 3,349.	118	MC2430D8ABL	\$ 1,879.	106
MC2070D6__ [11/20/21] L	\$ 3,729.	118	MC2430D8ABLE2	\$ 2,379.	106
MC2070D6__ [12/19/23/24/25] L	\$ 4,879.	118	MC2430D8ABLE4	\$ 2,699.	106
MC2070D6__ [22/26/27/28] L	\$ 4,299.	118	MC2430D8ABR	\$ 1,879.	106
MC2070D6__ [11/20/21] LE2	\$ 4,199.	118	MC2430D8ABRE2	\$ 2,379.	106
MC2070D6__ [12/19/23/24/25] LE2	\$ 5,349.	118	MC2430D8ABRE4	\$ 2,699.	106
MC2070D6__ [22/26/27/28] LE2	\$ 4,779.	118	MC2430D8FBL	\$ 1,599.	106
MC2070D6__ [FB/FP] L	\$ 3,149.	118	MC2430D8FBLE2	\$ 2,079.	106
MC2070D6__ [FB/FP] LE2	\$ 3,629.	118	MC2430D8FBLE4	\$ 2,429.	106
MC2070D6__ [11/20/21] R	\$ 3,729.	118	MC2430D8FBR	\$ 1,599.	106
MC2070D6__ [12/19/23/24/25] R	\$ 4,879.	118	MC2430D8FBRE2	\$ 2,079.	106
MC2070D6__ [22/26/27/28] R	\$ 4,299.	118	MC2430D8FBRE4	\$ 2,429.	106
MC2070D6__ [11/20/21] RE2	\$ 4,199.	118	MC2430D8FPL	\$ 1,599.	106
MC2070D6__ [12/19/23/24/25] RE2	\$ 5,349.	118	MC2430D8FPLE2	\$ 2,079.	106
MC2070D6__ [22/26/27/28] RE2	\$ 4,779.	118	MC2430D8FPLE4	\$ 2,429.	106
MC2070D6__ [FB/FP] R	\$ 3,149.	118	MC2430D8FPR	\$ 1,599.	106
MC2070D6__ [FB/FP] RE2	\$ 3,629.	118	MC2430D8FPRE2	\$ 2,079.	106
MC2070D8__ [11/20/21] L	\$ 3,879.	118	MC2430D8FPRE4	\$ 2,429.	106
MC2070D8__ [12/19/23/24/25] L	\$ 4,999.	118	MC2440D4ABL	\$ 1,779.	114
MC2070D8__ [22/26/27/28] L	\$ 4,429.	118	MC2440D4ABLE2	\$ 2,249.	114
MC2070D8__ [11/20/21] LE2	\$ 4,299.	118	MC2440D4ABLE4	\$ 2,579.	114
MC2070D8__ [12/19/23/24/25] LE2	\$ 5,449.	118	MC2440D4ABR	\$ 1,779.	114
MC2070D8__ [22/26/27/28] LE2	\$ 4,879.	118	MC2440D4ABRE2	\$ 2,249.	114
MC2070D8__ [FB/FP] L	\$ 3,299.	118	MC2440D4ABRE4	\$ 2,579.	114
MC2070D8__ [FB/FP] LE2	\$ 3,729.	118	MC2440D4FBL	\$ 1,499.	114
MC2070D8__ [11/20/21] R	\$ 3,879.	118	MC2440D4FBLE2	\$ 1,929.	114
MC2070D8__ [12/19/23/24/25] R	\$ 4,999.	118	MC2440D4FBLE4	\$ 2,329.	114
MC2070D8__ [22/26/27/28] R	\$ 4,429.	118	MC2440D4FBR	\$ 1,499.	114
MC2070D8__ [11/20/21] RE2	\$ 4,299.	118	MC2440D4FBRE2	\$ 1,929.	114
MC2070D8__ [12/19/23/24/25] RE2	\$ 5,449.	118	MC2440D4FBRE4	\$ 2,329.	114
MC2070D8__ [22/26/27/28] RE2	\$ 4,879.	118	MC2440D4FPL	\$ 1,499.	114
MC2070D8__ [FB/FP] R	\$ 3,299.	118	MC2440D4FPLE2	\$ 1,929.	114
MC2070D8__ [FB/FP] RE2	\$ 3,729.	118	MC2440D4FPLE4	\$ 2,329.	114
MC2430D4ABL	\$ 1,499.	106	MC2440D4FPR	\$ 1,499.	114
MC2430D4ABLE2	\$ 1,929.	106	MC2440D4FPRE2	\$ 1,929.	114
MC2430D4ABLE4	\$ 2,329.	106	MC2440D4FPRE4	\$ 2,329.	114
MC2430D4ABR	\$ 1,499.	106	MC2440D6ABL	\$ 2,079.	114
MC2430D4ABRE2	\$ 1,929.	106	MC2440D6ABLE2	\$ 2,529.	114
MC2430D4ABRE4	\$ 2,329.	106	MC2440D6ABLE4	\$ 2,849.	114
MC2430D4FBL	\$ 1,199.	106	MC2440D6ABR	\$ 2,079.	114
MC2430D4FBLE2	\$ 1,649.	106	MC2440D6ABRE2	\$ 2,529.	114
MC2430D4FBLE4	\$ 2,029.	106	MC2440D6ABRE4	\$ 2,849.	114
MC2430D4FBR	\$ 1,199.	106	MC2440D6FBL	\$ 1,779.	114
MC2430D4FBRE2	\$ 1,649.	106	MC2440D6FBLE2	\$ 2,249.	114
MC2430D4FBRE4	\$ 2,029.	106	MC2440D6FBLE4	\$ 2,579.	114

__ [] denotes Color/Pattern/Style options.

Model Number Price Index

Model Number	Price	Page
MC2440D6FBR	\$ 1,779.	114
MC2440D6FBRE2	\$ 2,249.	114
MC2440D6FBRE4	\$ 2,579.	114
MC2440D6FPL	\$ 1,779.	114
MC2440D6FPLE2	\$ 2,249.	114
MC2440D6FPLE4	\$ 2,579.	114
MC2440D6FPR	\$ 1,779.	114
MC2440D6FPRE2	\$ 2,249.	114
MC2440D6FPRE4	\$ 2,579.	114
MC2440D8ABL	\$ 2,199.	114
MC2440D8ABLE2	\$ 2,649.	114
MC2440D8ABLE4	\$ 2,979.	114
MC2440D8ABR	\$ 2,199.	114
MC2440D8ABRE2	\$ 2,649.	114
MC2440D8ABRE4	\$ 2,979.	114
MC2440D8FBL	\$ 1,879.	114
MC2440D8FBLE2	\$ 2,379.	114
MC2440D8FBLE4	\$ 2,699.	114
MC2440D8FBR	\$ 1,879.	114
MC2440D8FBRE2	\$ 2,379.	114
MC2440D8FBRE4	\$ 2,699.	114
MC2440D8FPL	\$ 1,879.	114
MC2440D8FPLE2	\$ 2,379.	114
MC2440D8FPLE4	\$ 2,699.	114
MC2440D8FPR	\$ 1,879.	114
MC2440D8FPRE2	\$ 2,379.	114
MC2440D8FPRE4	\$ 2,699.	114
MFL1.5CABL	\$ 99.	173
MGKIT	\$ 49.	297
MGKIT70	\$ 99.	297
MHANDLEKIT	\$ 179.	295
ML1.530VFSABNDN	\$ 1,099.	173
ML1.530VFSACRDN	\$ 1,099.	173
ML1.530VFSGBNDN	\$ 1,399.	173
ML1.530VFSGCRDN	\$ 1,399.	173
ML1.540VFSABNDN	\$ 1,229.	173
ML1.540VFSACRDN	\$ 1,229.	173
ML1.540VFSGBNDN	\$ 1,549.	173
ML1.540VFSGCRDN	\$ 1,549.	173
ML3.530ILSFMRD3	\$ 849.	171
ML3.530ILSFMRD4	\$ 849.	171
ML3.530ILSFMRDV	\$ 999.	171
ML3.540ILSFMRD3	\$ 949.	171
ML3.540ILSFMRD4	\$ 949.	171
ML3.540ILSFMRDV	\$ 1,179.	171
MODM1230FB	\$ 349.	186
MODM1230FP	\$ 349.	186
MODM1236FB	\$ 379.	186
MODM1236FP	\$ 379.	186
MODM1240FB	\$ 399.	186
MODM1240FP	\$ 399.	186
MODM1630FB	\$ 379.	186
MODM1630FP	\$ 379.	186
MODM1636FB	\$ 409.	186
MODM1636FP	\$ 409.	186
MODM1640FB	\$ 429.	186
MODM1640FP	\$ 429.	186
MODM2030FB	\$ 399.	186
MODM2030FP	\$ 399.	186
MODM2036FB	\$ 429.	186
MODM2036FP	\$ 429.	186
MODM2040FB	\$ 449.	186
MODM2040FP	\$ 449.	186
MODM2430FB	\$ 429.	186
MODM2430FP	\$ 429.	186
MODM2436FB	\$ 459.	186
MODM2436FP	\$ 459.	186
MODM2440FB	\$ 479.	186
MODM2440FP	\$ 479.	186
MPUSHKIT	\$ 99.	295

Model Number	Price	Page
MSF SYSTEMS	\$ 99.	297
MSFMF	\$ 99.	297
MSMK30D4P	\$ 149.	298
MSMK30D6P	\$ 199.	298
MSMK30D6SRP	\$ 149.	298
MSMK30D8P	\$ 249.	298
MSMK30D8SRP	\$ 149.	298
MSMK40D4P	\$ 249.	298
MSMK40D6P	\$ 349.	298
MSMK40D6SRP	\$ 249.	298
MSMK40D8P	\$ 399.	298
MSMK40D8SRP	\$ 249.	298
MSMK70D4__[11/20/21]	\$ 499.	298
MSMK70D4__[12/19/23/24/25]	\$ 749.	298
MSMK70D4__[22/26/27/28]	\$ 649.	298
MSMK70D4P	\$ 449.	298
MSMK70D6__[11/20/21]	\$ 649.	298
MSMK70D6__[12/19/23/24/25]	\$ 879.	298
MSMK70D6__[22/26/27/28]	\$ 749.	298
MSMK70D6P	\$ 599.	298
MSMK70D6SR__[11/20/21]	\$ 499.	298
MSMK70D6SR__[12/19/23/24/25]	\$ 749.	298
MSMK70D6SR__[22/26/27/28]	\$ 649.	298
MSMK70D6SRP	\$ 449.	298
MSMK70D8__[11/20/21]	\$ 749.	298
MSMK70D8__[12/19/23/24/25]	\$ 999.	298
MSMK70D8__[22/26/27/28]	\$ 879.	298
MSMK70D8P	\$ 699.	298
MSMK70D8SR__[11/20/21]	\$ 499.	298
MSMK70D8SR__[12/19/23/24/25]	\$ 749.	298
MSMK70D8SR__[22/26/27/28]	\$ 649.	298
MSMK70D8SRP	\$ 449.	298
P2C1230D4FBBA	\$ 499.	44
P2C1230D4FBSC	\$ 539.	44
P2C1230D4FPBA	\$ 499.	44
P2C1230D4FPSC	\$ 539.	44
P2C1236D4FBBA	\$ 569.	48
P2C1236D4FBSC	\$ 609.	48
P2C1236D4FPBA	\$ 569.	48
P2C1236D4FPSC	\$ 609.	48
P2C1240D4FBBA	\$ 619.	52
P2C1240D4FBSC	\$ 659.	52
P2C1240D4FPBA	\$ 619.	52
P2C1240D4FPSC	\$ 659.	52
P2C1620D4FBBA	\$ 449.	42
P2C1620D4FBFS	\$ 589.	42
P2C1620D4FBFT	\$ 909.	42
P2C1620D4FBMM	\$ 539.	42
P2C1620D4FBSC	\$ 489.	42
P2C1620D4FBTU	\$ 809.	42
P2C1620D4FPBA	\$ 449.	42
P2C1620D4FPFS	\$ 589.	42
P2C1620D4FPFT	\$ 909.	42
P2C1620D4FPMM	\$ 539.	42
P2C1620D4FPSC	\$ 489.	42
P2C1620D4FPTU	\$ 809.	42
P2C1626D4FBBA	\$ 499.	42
P2C1626D4FBFS	\$ 639.	42
P2C1626D4FBFT	\$ 959.	42
P2C1626D4FBMM	\$ 589.	42
P2C1626D4FBSC	\$ 539.	42
P2C1626D4FBTU	\$ 859.	42
P2C1626D4FPBA	\$ 499.	42
P2C1626D4FPFS	\$ 639.	42
P2C1626D4FPFT	\$ 959.	42
P2C1626D4FPMM	\$ 589.	42
P2C1626D4FPSC	\$ 539.	42
P2C1626D4FPTU	\$ 859.	42
P2C1630D4FBBA	\$ 549.	44
P2C1630D4FBFS	\$ 689.	44
P2C1630D4FBFT	\$ 1,009.	44

__[] denotes Color/Pattern/Style options.

Model Number Price Index

Model Number	Price	Page	Model Number	Price	Page
P2C1630D4FBMM	\$ 639.	44	P2C2040D4FBMM	\$ 809.	54
P2C1630D4FBSC	\$ 589.	44	P2C2040D4FBSC	\$ 759.	54
P2C1630D4FBTU	\$ 909.	44	P2C2040D4FBTU	\$ 1,079.	54
P2C1630D4FPBA	\$ 549.	44	P2C2040D4FPBA	\$ 719.	54
P2C1630D4FPFS	\$ 689.	44	P2C2040D4FPFS	\$ 859.	54
P2C1630D4FPFT	\$ 1,009.	44	P2C2040D4FPFT	\$ 1,179.	54
P2C1630D4FPMM	\$ 639.	44	P2C2040D4FPMM	\$ 809.	54
P2C1630D4FPSC	\$ 589.	44	P2C2040D4FPSC	\$ 759.	54
P2C1630D4FPPTU	\$ 909.	44	P2C2040D4FPPTU	\$ 1,079.	54
P2C1636D4FBBA	\$ 619.	48	P2C2072D4FBFS	\$ 2,449.	56
P2C1636D4FBFS	\$ 759.	48	P2C2072D4FBFT	\$ 2,769.	56
P2C1636D4FBFT	\$ 1,079.	48	P2C2072D4FBMM	\$ 2,399.	56
P2C1636D4FBMM	\$ 709.	48	P2C2072D4FBSC	\$ 2,349.	56
P2C1636D4FBSC	\$ 659.	48	P2C2072D4FBTU	\$ 2,669.	56
P2C1636D4FBTU	\$ 979.	48	P2C2072D4FPFS	\$ 2,449.	56
P2C1636D4FPBA	\$ 619.	48	P2C2072D4FPFT	\$ 2,769.	56
P2C1636D4FPFS	\$ 759.	48	P2C2072D4FPMM	\$ 2,399.	56
P2C1636D4FPFT	\$ 1,079.	48	P2C2072D4FPSC	\$ 2,349.	56
P2C1636D4FPMM	\$ 709.	48	P2C2072D4FPPTU	\$ 2,669.	56
P2C1636D4FPSC	\$ 659.	48	P2C2430D4FBBA	\$ 669.	46
P2C1636D4FPPTU	\$ 979.	48	P2C2430D4FBFS	\$ 809.	46
P2C1640D4FBBA	\$ 669.	52	P2C2430D4FBFT	\$ 1,129.	46
P2C1640D4FBFS	\$ 809.	52	P2C2430D4FBMM	\$ 759.	46
P2C1640D4FBFT	\$ 1,129.	52	P2C2430D4FBSC	\$ 709.	46
P2C1640D4FBMM	\$ 759.	52	P2C2430D4FBTU	\$ 1,029.	46
P2C1640D4FBSC	\$ 709.	52	P2C2430D4FPBA	\$ 669.	46
P2C1640D4FBTU	\$ 1,029.	52	P2C2430D4FPFS	\$ 809.	46
P2C1640D4FPBA	\$ 669.	52	P2C2430D4FPFT	\$ 1,129.	46
P2C1640D4FPFS	\$ 809.	52	P2C2430D4FPMM	\$ 759.	46
P2C1640D4FPFT	\$ 1,129.	52	P2C2430D4FPSC	\$ 709.	46
P2C1640D4FPMM	\$ 759.	52	P2C2430D4FPPTU	\$ 1,029.	46
P2C1640D4FPSC	\$ 709.	52	P2C2436D4FBBA	\$ 719.	50
P2C1640D4FPPTU	\$ 1,029.	52	P2C2436D4FBFS	\$ 859.	50
P2C1672D4FBFS	\$ 2,199.	56	P2C2436D4FBFT	\$ 1,179.	50
P2C1672D4FBFT	\$ 2,519.	56	P2C2436D4FBMM	\$ 809.	50
P2C1672D4FBMM	\$ 2,149.	56	P2C2436D4FBSC	\$ 759.	50
P2C1672D4FBSC	\$ 2,099.	56	P2C2436D4FBTU	\$ 1,079.	50
P2C1672D4FBTU	\$ 2,419.	56	P2C2436D4FPBA	\$ 719.	50
P2C1672D4FPFS	\$ 2,199.	56	P2C2436D4FPFS	\$ 859.	50
P2C1672D4FPFT	\$ 2,519.	56	P2C2436D4FPFT	\$ 1,179.	50
P2C1672D4FPMM	\$ 2,149.	56	P2C2436D4FPMM	\$ 809.	50
P2C1672D4FPSC	\$ 2,099.	56	P2C2436D4FPSC	\$ 759.	50
P2C1672D4FPPTU	\$ 2,419.	56	P2C2436D4FPPTU	\$ 1,079.	50
P2C2030D4FBBA	\$ 599.	46	P2C2440D4FBBA	\$ 769.	54
P2C2030D4FBFS	\$ 739.	46	P2C2440D4FBFS	\$ 909.	54
P2C2030D4FBFT	\$ 1,059.	46	P2C2440D4FBFT	\$ 1,229.	54
P2C2030D4FBMM	\$ 689.	46	P2C2440D4FBMM	\$ 859.	54
P2C2030D4FBSC	\$ 639.	46	P2C2440D4FBSC	\$ 809.	54
P2C2030D4FBTU	\$ 959.	46	P2C2440D4FBTU	\$ 1,129.	54
P2C2030D4FPBA	\$ 599.	46	P2C2440D4FPBA	\$ 769.	54
P2C2030D4FPFS	\$ 739.	46	P2C2440D4FPFS	\$ 909.	54
P2C2030D4FPFT	\$ 1,059.	46	P2C2440D4FPFT	\$ 1,229.	54
P2C2030D4FPMM	\$ 689.	46	P2C2440D4FPMM	\$ 859.	54
P2C2030D4FPSC	\$ 639.	46	P2C2440D4FPSC	\$ 809.	54
P2C2030D4FPPTU	\$ 959.	46	P2C2440D4FPPTU	\$ 1,129.	54
P2C2036D4FBBA	\$ 669.	50	P2C2472D4FBFS	\$ 2,699.	56
P2C2036D4FBFS	\$ 809.	50	P2C2472D4FBFT	\$ 3,019.	56
P2C2036D4FBFT	\$ 1,129.	50	P2C2472D4FBMM	\$ 2,649.	56
P2C2036D4FBMM	\$ 759.	50	P2C2472D4FBSC	\$ 2,599.	56
P2C2036D4FBSC	\$ 709.	50	P2C2472D4FBTU	\$ 2,919.	56
P2C2036D4FBTU	\$ 1,029.	50	P2C2472D4FPFS	\$ 2,699.	56
P2C2036D4FPBA	\$ 669.	50	P2C2472D4FPFT	\$ 3,019.	56
P2C2036D4FPFS	\$ 809.	50	P2C2472D4FPMM	\$ 2,649.	56
P2C2036D4FPFT	\$ 1,129.	50	P2C2472D4FPSC	\$ 2,599.	56
P2C2036D4FPMM	\$ 759.	50	P2C2472D4FPPTU	\$ 2,919.	56
P2C2036D4FPSC	\$ 709.	50	P2ELECTRIC	\$ 320.	43, 295
P2C2036D4FPPTU	\$ 1,029.	50	P2RMGKIT	\$ 69.	43, 296
P2C2040D4FBBA	\$ 719.	54	P2RMGKITFL	\$ 109.	57, 296
P2C2040D4FBFS	\$ 859.	54	P2SMEXTENDKIT	\$ 109.	43, 296
P2C2040D4FBFT	\$ 1,179.	54			

[] denotes Color/Pattern/Style options.

Model Number Price Index

Model Number	Price	Page
P2SM-GKIT20D4P	\$ 229.	43, 296
P2SM-GKIT26D4P	\$ 229.	43, 296
P2SM-GKIT30D4P	\$ 229.	45, 296
P2SM-GKIT36D4P	\$ 329.	49, 296
P2SM-GKIT40D4P	\$ 329.	53, 296
P2SM-GKIT72D4P	\$ 629.	57, 296
P2SMKIT20D4P	\$ 149.	43, 296
P2SMKIT26D4P	\$ 149.	43, 296
P2SMKIT30D4P	\$ 149.	45, 296
P2SMKIT36D4P	\$ 249.	49, 296
P2SMKIT40D4P	\$ 249.	53, 296
P2SMKIT72D4P	\$ 499.	57, 296
PC1230D4TLE_[76/77]	\$ 1,579.	78
PC1230D4TLE_[82/83]	\$ 1,679.	78
PC1230D4TNN_[76/77]	\$ 1,179.	78
PC1230D4TNN_[82/83]	\$ 1,279.	78
PC1230D4TRE_[76/77]	\$ 1,579.	78
PC1230D4TRE_[82/83]	\$ 1,679.	78
PC1230D6TLE_[76/77]	\$ 1,879.	78
PC1230D6TLE_[82/83]	\$ 1,979.	78
PC1230D6TNN_[76/77]	\$ 1,449.	78
PC1230D6TNN_[82/83]	\$ 1,579.	78
PC1230D6TRE_[76/77]	\$ 1,879.	78
PC1230D6TRE_[82/83]	\$ 1,979.	78
PC1240D4TLE_[76/77]	\$ 1,779.	86
PC1240D4TLE_[82/83]	\$ 1,929.	86
PC1240D4TNN_[76/77]	\$ 1,379.	86
PC1240D4TNN_[82/83]	\$ 1,529.	86
PC1240D4TRE_[76/77]	\$ 1,779.	86
PC1240D4TRE_[82/83]	\$ 1,929.	86
PC1240D6TLE_[76/77]	\$ 2,099.	86
PC1240D6TLE_[82/83]	\$ 2,229.	86
PC1240D6TNN_[76/77]	\$ 1,679.	86
PC1240D6TNN_[82/83]	\$ 1,779.	86
PC1240D6TRE_[76/77]	\$ 2,099.	86
PC1240D6TRE_[82/83]	\$ 2,229.	86
PC1630D4TLE_[76/77]	\$ 1,679.	80
PC1630D4TLE_[82/83]	\$ 1,779.	80
PC1630D4TNN_[76/77]	\$ 1,279.	80
PC1630D4TNN_[82/83]	\$ 1,379.	80
PC1630D4TRE_[76/77]	\$ 1,679.	80
PC1630D4TRE_[82/83]	\$ 1,779.	80
PC1630D6TLE_[76/77]	\$ 1,979.	80
PC1630D6TLE_[82/83]	\$ 2,099.	80
PC1630D6TNN_[76/77]	\$ 1,579.	80
PC1630D6TNN_[82/83]	\$ 1,679.	80
PC1630D6TRE_[76/77]	\$ 1,979.	80
PC1630D6TRE_[82/83]	\$ 2,099.	80
PC1640D4TLE_[76/77]	\$ 1,929.	88
PC1640D4TLE_[82/83]	\$ 2,049.	88
PC1640D4TNN_[76/77]	\$ 1,529.	88
PC1640D4TNN_[82/83]	\$ 1,629.	88
PC1640D4TRE_[76/77]	\$ 1,929.	88
PC1640D4TRE_[82/83]	\$ 2,049.	88
PC1640D6TLE_[76/77]	\$ 2,229.	88
PC1640D6TLE_[82/83]	\$ 2,329.	88
PC1640D6TNN_[76/77]	\$ 1,779.	88
PC1640D6TNN_[82/83]	\$ 1,929.	88
PC1640D6TRE_[76/77]	\$ 2,229.	88
PC1640D6TRE_[82/83]	\$ 2,329.	88
PC1648D4TLE_[76/77]	\$ 2,199.	94
PC1648D4TLE_[82/83]	\$ 2,299.	94
PC1648D4TNN_[76/77]	\$ 1,779.	94
PC1648D4TNN_[82/83]	\$ 1,879.	94
PC1648D4TRE_[76/77]	\$ 2,199.	94
PC1648D4TRE_[82/83]	\$ 2,299.	94
PC2030D4TLE_[76/77]	\$ 1,779.	82
PC2030D4TLE_[82/83]	\$ 1,929.	82
PC2030D4TNN_[76/77]	\$ 1,379.	82
PC2030D4TNN_[82/83]	\$ 1,529.	82

Model Number	Price	Page
PC2030D4TRE_[76/77]	\$ 1,779.	82
PC2030D4TRE_[82/83]	\$ 1,929.	82
PC2030D6TLE_[76/77]	\$ 2,099.	82
PC2030D6TLE_[82/83]	\$ 2,229.	82
PC2030D6TNN_[76/77]	\$ 1,679.	82
PC2030D6TNN_[82/83]	\$ 1,779.	82
PC2030D6TRE_[76/77]	\$ 2,099.	82
PC2030D6TRE_[82/83]	\$ 2,229.	82
PC2040D4TLE_[76/77]	\$ 2,049.	90
PC2040D4TLE_[82/83]	\$ 2,179.	90
PC2040D4TNN_[76/77]	\$ 1,629.	90
PC2040D4TNN_[82/83]	\$ 1,729.	90
PC2040D4TRE_[76/77]	\$ 2,049.	90
PC2040D4TRE_[82/83]	\$ 2,179.	90
PC2040D6TLE_[76/77]	\$ 2,329.	90
PC2040D6TLE_[82/83]	\$ 2,449.	90
PC2040D6TNN_[76/77]	\$ 1,929.	90
PC2040D6TNN_[82/83]	\$ 2,049.	90
PC2040D6TRE_[76/77]	\$ 2,329.	90
PC2040D6TRE_[82/83]	\$ 2,449.	90
PC2048D4TLE_[76/77]	\$ 2,299.	94
PC2048D4TLE_[82/83]	\$ 2,429.	94
PC2048D4TNN_[76/77]	\$ 1,879.	94
PC2048D4TNN_[82/83]	\$ 1,979.	94
PC2048D4TRE_[76/77]	\$ 2,299.	94
PC2048D4TRE_[82/83]	\$ 2,429.	94
PC2430D4TLE_[76/77]	\$ 1,929.	84
PC2430D4TLE_[82/83]	\$ 2,049.	84
PC2430D4TNN_[76/77]	\$ 1,529.	84
PC2430D4TNN_[82/83]	\$ 1,629.	84
PC2430D4TRE_[76/77]	\$ 1,929.	84
PC2430D4TRE_[82/83]	\$ 2,049.	84
PC2430D6TLE_[76/77]	\$ 2,229.	84
PC2430D6TLE_[82/83]	\$ 2,329.	84
PC2430D6TNN_[76/77]	\$ 1,779.	84
PC2430D6TNN_[82/83]	\$ 1,929.	84
PC2430D6TRE_[76/77]	\$ 2,229.	84
PC2430D6TRE_[82/83]	\$ 2,329.	84
PC2440D4TLE_[76/77]	\$ 2,179.	92
PC2440D4TLE_[82/83]	\$ 2,279.	92
PC2440D4TNN_[76/77]	\$ 1,729.	92
PC2440D4TNN_[82/83]	\$ 1,879.	92
PC2440D4TRE_[76/77]	\$ 2,179.	92
PC2440D4TRE_[82/83]	\$ 2,279.	92
PC2440D6TLE_[76/77]	\$ 2,449.	92
PC2440D6TLE_[82/83]	\$ 2,579.	92
PC2440D6TNN_[76/77]	\$ 2,049.	92
PC2440D6TNN_[82/83]	\$ 2,179.	92
PC2440D6TRE_[76/77]	\$ 2,449.	92
PC2440D6TRE_[82/83]	\$ 2,579.	92
PC2448D4TLE_[76/77]	\$ 2,429.	94
PC2448D4TLE_[82/83]	\$ 2,529.	94
PC2448D4TNN_[76/77]	\$ 1,979.	94
PC2448D4TNN_[82/83]	\$ 2,129.	94
PC2448D4TRE_[76/77]	\$ 2,429.	94
PC2448D4TRE_[82/83]	\$ 2,529.	94
PL3.530TLSC_[76/77]D3	\$ 1,079.	167
PL3.530TLSC_[82/83]D3	\$ 1,199.	167
PL3.530TLSC_[76/77]D4	\$ 1,079.	167
PL3.530TLSC_[82/83]D4	\$ 1,199.	167
PL3.530TLSC_[76/77]DV	\$ 1,249.	167
PL3.530TLSC_[82/83]DV	\$ 1,349.	167
PL3.540TLSC_[76/77]D3	\$ 1,299.	167
PL3.540TLSC_[82/83]D3	\$ 1,429.	167
PL3.540TLSC_[76/77]D4	\$ 1,299.	167
PL3.540TLSC_[82/83]D4	\$ 1,429.	167
PL3.540TLSC_[76/77]DV	\$ 1,499.	167
PL3.540TLSC_[82/83]DV	\$ 1,599.	167
PL5.030TLSC_[76/77]D3	\$ 1,429.	167
PL5.030TLSC_[82/83]D3	\$ 1,549.	167

[_] denotes Color/Pattern/Style options.

Model Number Price Index

Model Number	Price	Page	Model Number	Price	Page
PL5.030TLSC__ [76/77] D4	\$ 1,429.	167	PM2440T__ [76/77]	\$ 1,199.	196
PL5.030TLSC__ [82/83] D4	\$ 1,549.	167	PM2440T__ [82/83]	\$ 1,349.	196
PL5.030TLSC__ [76/77] DV	\$ 1,599.	167	PM3030T__ [76/77]	\$ 1,129.	196
PL5.030TLSC__ [82/83] DV	\$ 1,699.	167	PM3030T__ [82/83]	\$ 1,249.	196
PL5.040TLSC__ [76/77] D3	\$ 1,649.	167	PM3040T__ [76/77]	\$ 1,299.	196
PL5.040TLSC__ [82/83] D3	\$ 1,749.	167	PM3040T__ [82/83]	\$ 1,429.	196
PL5.040TLSC__ [76/77] D4	\$ 1,649.	167	PM3630T__ [76/77]	\$ 1,249.	196
PL5.040TLSC__ [82/83] D4	\$ 1,749.	167	PM3630T__ [82/83]	\$ 1,349.	196
PL5.040TLSC__ [76/77] DV	\$ 1,829.	167	PM3640T__ [76/77]	\$ 1,429.	196
PL5.040TLSC__ [82/83] DV	\$ 1,929.	167	PM3640T__ [82/83]	\$ 1,579.	196
PL30GBL	\$ 1,399.	173	PMGKIT2430	\$ 399.	196, 299
PL30GCH	\$ 1,399.	173	PMGKIT2440	\$ 399.	196, 299
PL30GWH	\$ 1,399.	173	PMGKIT3030	\$ 449.	196, 299
PL30PBL	\$ 1,099.	173	PMGKIT3040	\$ 449.	196, 299
PL30PBLN	\$ 899.	173	PMGKIT3630	\$ 499.	196, 299
PL30PCH	\$ 1,099.	173	PMGKIT3640	\$ 499.	196, 299
PL30PCHN	\$ 899.	173	POMM	\$ 249.	295
PL30PWH	\$ 1,099.	173	QAC2430D4P1L	\$ 2,498.	67
PL30PWHN	\$ 899.	173	QAC2430D4P1R	\$ 2,498.	67
PL40GBL	\$ 1,549.	173	QAC2440D4P1L	\$ 2,978.	67
PL40GCH	\$ 1,549.	173	QAC2440D4P1R	\$ 2,978.	67
PL40GWH	\$ 1,549.	173	QDC2030D4BMG76	\$ 1,628.	124
PL40PBL	\$ 1,229.	173	QDC2030D4MEG76	\$ 1,628.	130
PL40PCH	\$ 1,229.	173	QDC2030D4RMG76	\$ 1,628.	136
PL40PWH	\$ 1,229.	173	QDC2430D4BMG76	\$ 1,748.	125
PLGKIT	\$ 49.	297	QDC2430D4MEG76	\$ 1,748.	131
PLM1630G	\$ 549.	144	QDC2430D4RMG76	\$ 1,748.	137
PLM1630GB	\$ 549.	144	QMC2430D4FPLE2	\$ 2,028.	106
PLM1630GBLE	\$ 879.	144	QMC2430D4FPLE4	\$ 2,378.	106
PLM1630GBRE	\$ 879.	144	QMC2430D4FPRE2	\$ 2,028.	106
PLM1630GLE	\$ 879.	144	QMC2430D4FPRE4	\$ 2,428.	106
PLM1630GRE	\$ 879.	144	QMC2440D4FPLE2	\$ 2,328.	114
PLM1640G	\$ 679.	144	QMC2440D4FPLE4	\$ 2,728.	114
PLM1640GB	\$ 679.	144	QMC2440D4FPRE2	\$ 2,328.	114
PLM1640GBLE	\$ 979.	144	QMC2440D4FPRE4	\$ 2,728.	114
PLM1640GBRE	\$ 979.	144	QP2C1626D4FPFS	\$ 1,038.	42
PLM1640GLE	\$ 979.	144	QP2C1626D4FPFT	\$ 1,358.	42
PLM1640GRE	\$ 979.	144	QP2C1630D4FPFS	\$ 1,088.	44
PLM2030G	\$ 599.	145	QP2C1630D4FPFT	\$ 1,408.	44
PLM2030GB	\$ 599.	145	QP2C2030D4FPFS	\$ 1,138.	46
PLM2030GBLE	\$ 929.	145	QP2C2030D4FPFT	\$ 1,458.	46
PLM2030GBRE	\$ 929.	145	QP2C2430D4FPFS	\$ 1,208.	46
PLM2030GLE	\$ 929.	145	QP2C2430D4FPFT	\$ 1,528.	46
PLM2030GRE	\$ 929.	145	QP2C2440D4FPFS	\$ 1,308.	54
PLM2040G	\$ 729.	145	QP2C2440D4FPFT	\$ 1,628.	54
PLM2040GB	\$ 729.	145	QPC2440D4TLE__ [76/77]	\$ 2,578.	92
PLM2040GBLE	\$ 1,029.	145	QPC2440D4TLE__ [82/83]	\$ 2,678.	92
PLM2040GBRE	\$ 1,029.	145	QPC2440D4TRE__ [76/77]	\$ 2,578.	92
PLM2040GLE	\$ 1,029.	145	QPC2440D4TRE__ [82/83]	\$ 2,678.	92
PLM2040GRE	\$ 1,029.	145	QPLM1630G	\$ 948.	144
PLM2430G	\$ 679.	146	QPLM2030G	\$ 998.	145
PLM2430GB	\$ 679.	146	QPLM2430G	\$ 1,078.	146
PLM2430GBLE	\$ 979.	146	QPLM2440G	\$ 1,178.	146
PLM2430GBRE	\$ 979.	146	QRC2026D4FP1	\$ 928.	151
PLM2430GLE	\$ 979.	146	QRC2036D4FP1	\$ 1,098.	151
PLM2430GRE	\$ 979.	146	QRC2436D4FP1	\$ 1,198.	152
PLM2440G	\$ 779.	146	QUC30276RP3E4N	\$ 4,178.	61
PLM2440GB	\$ 779.	146	QUC36276RP3E4N	\$ 4,698.	62
PLM2440GBLE	\$ 1,079.	146	QUC48276RP3E4N	\$ 5,398.	62
PLM2440GBRE	\$ 1,079.	146	QUICKCADDY	\$ 50.	43, 295
PLM2440GLE	\$ 1,079.	146	QYC2430D4P1L3	\$ 1,648.	73
PLM2440GRE	\$ 1,079.	146	QYC2430D4P1R3	\$ 1,648.	73
PLM3030G	\$ 1,299.	147	QYC2440D4P1L3	\$ 1,898.	73
PLM3030GE	\$ 1,599.	147	QYC2440D4P1R3	\$ 1,898.	73
PLM3630G	\$ 1,479.	147	RC1620D4FB1	\$ 279.	150
PLM3630GE	\$ 1,749.	147	RC1620D4FP1	\$ 279.	150
PLSMK30D4P	\$ 149.	299	RC1626D4FB1	\$ 449.	150
PLSMK40D4P	\$ 249.	299	RC1626D4FP1	\$ 449.	150
PM2430T__ [76/77]	\$ 1,099.	196	RC1636D4FB1	\$ 579.	150
PM2430T__ [82/83]	\$ 1,199.	196	RC1636D4FP1	\$ 579.	150

__ [] denotes Color/Pattern/Style options.

Model Number Price Index

Model Number	Price	Page	Model Number	Price	Page
RC2026D4FB1	\$ 529.	151	TE49G90	\$ 1,749.	283
RC2026D4FP1	\$ 529.	151	TE49G91	\$ 1,749.	283
RC2036D4FB1	\$ 699.	151	TE49G92	\$ 1,879.	283
RC2036D4FP1	\$ 699.	151	TE49G93	\$ 2,329.	283
RC2426D4FB1	\$ 579.	152	TE49G94	\$ 2,329.	283
RC2426D4FP1	\$ 579.	152	TE61G90	\$ 1,979.	284
RC2436D4FB1	\$ 799.	152	TE61G91	\$ 1,979.	284
RC2436D4FP1	\$ 799.	152	TE61G92	\$ 2,079.	284
RSMK20D4P	\$ 149.	299	TE61G93	\$ 2,549.	284
RSMK26D4P	\$ 149.	299	TE61G94	\$ 2,549.	284
RSMK36D4P	\$ 149.	299	TE73G90	\$ 2,329.	286
SHLF8D4	\$ 49.	305	TE73G91	\$ 2,329.	286
SHLF8D4S3	\$ 79.	305	TE73G92	\$ 2,429.	286
SHLF10D4	\$ 49.	305	TE73G93	\$ 2,799.	286
SHLF10D4S3	\$ 79.	305	TE73G94	\$ 2,799.	286
SHLF12D4	\$ 99.	305	TF13G90	\$ 929.	279
SHLF12D6	\$ 99.	305	TF13G91	\$ 929.	279
SHLF16D4	\$ 99.	305	TF13G92	\$ 1,049.	279
SHLF16D4S4	\$ 199.	305	TF13G93	\$ 1,379.	279
SHLF16D6	\$ 99.	305	TF13G94	\$ 1,379.	279
SHLF16D8	\$ 99.	305	TF25G90	\$ 1,179.	279
SHLF20D4	\$ 99.	305	TF25G91	\$ 1,179.	279
SHLF20D4S3	\$ 149.	305	TF25G92	\$ 1,279.	279
SHLF20D4S4	\$ 199.	305	TF25G93	\$ 1,649.	279
SHLF20D6	\$ 99.	305	TF25G94	\$ 1,649.	279
SHLF20D8	\$ 99.	305	TF25UCO90-1	\$ 1,529.	279
SHLF24D4	\$ 99.	305	TF25UCO90-8	\$ 1,529.	279
SHLF24D4S3	\$ 149.	305	TF25UCO91-1	\$ 1,529.	279
SHLF24D4S4	\$ 199.	305	TF25UCO91-8	\$ 1,529.	279
SHLF24D6	\$ 99.	305	TF25UCO92-1	\$ 1,649.	279
SHLF24D8	\$ 99.	305	TF25UCO92-8	\$ 1,649.	279
SHLFPLM30	\$ 99.	305	TF25UCO93-1	\$ 1,979.	279
SHLFPLM36	\$ 99.	305	TF25UCO93-8	\$ 1,979.	279
SLEDS12	\$ 299.	301	TF25UCO94-1	\$ 1,979.	279
SLEDS24	\$ 349.	301	TF25UCO94-8	\$ 1,979.	279
SLEDS30	\$ 399.	301	TF31G90	\$ 1,279.	280
SLEDS36	\$ 499.	301	TF31G91	\$ 1,279.	280
SOMM	\$ 99.	295	TF31G92	\$ 1,379.	280
TC25UCN21-1	\$ 1,079.	279	TF31G93	\$ 1,749.	280
TC25UCN21-8	\$ 1,079.	279	TF31G94	\$ 1,749.	280
TC31UCN21-1	\$ 1,179.	280	TF31UCO90-1	\$ 1,649.	280
TC31UCN21-8	\$ 1,179.	280	TF31UCO90-8	\$ 1,649.	280
TC37UCN21-1	\$ 1,429.	281	TF31UCO91-1	\$ 1,649.	280
TC37UCN21-8	\$ 1,429.	281	TF31UCO91-8	\$ 1,649.	280
TE13G90	\$ 929.	279	TF31UCO92-1	\$ 1,749.	280
TE13G91	\$ 929.	279	TF31UCO92-8	\$ 1,749.	280
TE13G92	\$ 1,049.	279	TF31UCO93-1	\$ 2,079.	280
TE13G93	\$ 1,379.	279	TF31UCO93-8	\$ 2,079.	280
TE13G94	\$ 1,379.	279	TF31UCO94-1	\$ 2,079.	280
TE25G90	\$ 1,179.	279	TF31UCO94-8	\$ 2,079.	280
TE25G91	\$ 1,179.	279	TF37G90	\$ 1,379.	281
TE25G92	\$ 1,279.	279	TF37G91	\$ 1,379.	281
TE25G93	\$ 1,649.	279	TF37G92	\$ 1,529.	281
TE25G94	\$ 1,649.	279	TF37G93	\$ 1,879.	281
TE31G90	\$ 1,279.	280	TF37G94	\$ 1,879.	281
TE31G91	\$ 1,279.	280	TF37UCO90-1	\$ 1,749.	281
TE31G92	\$ 1,379.	280	TF37UCO90-8	\$ 1,749.	281
TE31G93	\$ 1,749.	280	TF37UCO91-1	\$ 1,749.	281
TE31G94	\$ 1,749.	280	TF37UCO91-8	\$ 1,749.	281
TE37G90	\$ 1,379.	281	TF37UCO92-1	\$ 1,879.	281
TE37G91	\$ 1,379.	281	TF37UCO92-8	\$ 1,879.	281
TE37G92	\$ 1,529.	281	TF37UCO93-1	\$ 2,199.	281
TE37G93	\$ 1,879.	281	TF37UCO93-8	\$ 2,199.	281
TE37G94	\$ 1,879.	281	TF37UCO94-1	\$ 2,199.	281
TE43G90	\$ 1,649.	282	TF37UCO94-8	\$ 2,199.	281
TE43G91	\$ 1,649.	282	TF37ULO90-1	\$ 1,749.	281
TE43G92	\$ 1,749.	282	TF37ULO90-8	\$ 1,749.	281
TE43G93	\$ 2,079.	282	TF37ULO91-1	\$ 1,749.	281
TE43G94	\$ 2,079.	282	TF37ULO91-8	\$ 1,749.	281
			TF37ULO92-1	\$ 1,879.	281
			TF37ULO92-8	\$ 1,879.	281

__[] denotes Color/Pattern/Style options.

Model Number Price Index

Model Number	Price	Page	Model Number	Price	Page
TF37ULO93-1	\$ 2,199.	281	TF49ULO93-1	\$ 2,649.	283
TF37ULO93-8	\$ 2,199.	281	TF49ULO93-8	\$ 2,649.	283
TF37ULO94-1	\$ 2,199.	281	TF49ULO94-1	\$ 2,649.	283
TF37ULO94-8	\$ 2,199.	281	TF49ULO94-8	\$ 2,649.	283
TF37URO90-1	\$ 1,749.	281	TF49URO90-1	\$ 2,079.	283
TF37URO90-8	\$ 1,749.	281	TF49URO90-8	\$ 2,079.	283
TF37URO91-1	\$ 1,749.	281	TF49URO91-1	\$ 2,079.	283
TF37URO91-8	\$ 1,749.	281	TF49URO91-8	\$ 2,079.	283
TF37URO92-1	\$ 1,879.	281	TF49URO92-1	\$ 2,199.	283
TF37URO92-8	\$ 1,879.	281	TF49URO92-8	\$ 2,199.	283
TF37URO93-1	\$ 2,199.	281	TF49URO93-1	\$ 2,649.	283
TF37URO93-8	\$ 2,199.	281	TF49URO93-8	\$ 2,649.	283
TF37URO94-1	\$ 2,199.	281	TF49URO94-1	\$ 2,649.	283
TF37URO94-8	\$ 2,199.	281	TF49URO94-8	\$ 2,649.	283
TF43G90	\$ 1,649.	282	TF61G90	\$ 1,979.	284
TF43G91	\$ 1,649.	282	TF61G91	\$ 1,979.	284
TF43G92	\$ 1,749.	282	TF61G92	\$ 2,079.	284
TF43G93	\$ 2,079.	282	TF61G93	\$ 2,549.	284
TF43G94	\$ 2,079.	282	TF61G94	\$ 2,549.	284
TF43ULO90-1	\$ 1,979.	282	TF61UCO90-1	\$ 2,329.	284
TF43ULO90-8	\$ 1,979.	282	TF61UCO90-8	\$ 2,329.	284
TF43ULO91-1	\$ 1,979.	282	TF61UCO91-1	\$ 2,329.	284
TF43ULO91-8	\$ 1,979.	282	TF61UCO91-8	\$ 2,329.	284
TF43ULO92-1	\$ 2,079.	282	TF61UCO92-1	\$ 2,429.	284
TF43ULO92-8	\$ 2,079.	282	TF61UCO92-8	\$ 2,429.	284
TF43ULO93-1	\$ 2,429.	282	TF61UCO93-1	\$ 2,799.	284
TF43ULO93-8	\$ 2,429.	282	TF61UCO93-8	\$ 2,799.	284
TF43ULO94-1	\$ 2,429.	282	TF61UCO94-1	\$ 2,799.	284
TF43ULO94-8	\$ 2,429.	282	TF61UCO94-8	\$ 2,799.	284
TF43URO90-1	\$ 1,979.	282	TF61UDO90-1D2	\$ 2,799.	284
TF43URO90-8	\$ 1,979.	282	TF61UDO90-1D4	\$ 2,799.	284
TF43URO91-1	\$ 1,979.	282	TF61UDO90-8D2	\$ 2,799.	284
TF43URO91-8	\$ 1,979.	282	TF61UDO90-8D4	\$ 2,799.	284
TF43URO92-1	\$ 2,079.	282	TF61UDO91-1D2	\$ 2,799.	284
TF43URO92-8	\$ 2,079.	282	TF61UDO91-1D4	\$ 2,799.	284
TF43URO93-1	\$ 2,429.	282	TF61UDO91-8D2	\$ 2,799.	284
TF43URO93-8	\$ 2,429.	282	TF61UDO91-8D4	\$ 2,799.	284
TF43URO94-1	\$ 2,429.	282	TF61UDO92-1D2	\$ 3,029.	284
TF43URO94-8	\$ 2,429.	282	TF61UDO92-1D4	\$ 3,029.	284
TF49G90	\$ 1,749.	283	TF61UDO92-8D2	\$ 3,029.	284
TF49G91	\$ 1,749.	283	TF61UDO92-8D4	\$ 3,029.	284
TF49G92	\$ 1,879.	283	TF61UDO93-1D2	\$ 3,479.	284
TF49G93	\$ 2,329.	283	TF61UDO93-1D4	\$ 3,479.	284
TF49G94	\$ 2,329.	283	TF61UDO93-8D2	\$ 3,479.	284
TF49UCO90-1	\$ 2,079.	283	TF61UDO93-8D4	\$ 3,479.	284
TF49UCO90-8	\$ 2,079.	283	TF61UDO94-1D2	\$ 3,479.	284
TF49UCO91-1	\$ 2,079.	283	TF61UDO94-1D4	\$ 3,479.	284
TF49UCO91-8	\$ 2,079.	283	TF61UDO94-8D2	\$ 3,479.	284
TF49UCO92-1	\$ 2,199.	283	TF61UDO94-8D4	\$ 3,479.	284
TF49UCO92-8	\$ 2,199.	283	TF73G90	\$ 2,329.	286
TF49UCO93-1	\$ 2,649.	283	TF73G91	\$ 2,329.	286
TF49UCO93-8	\$ 2,649.	283	TF73G92	\$ 2,429.	286
TF49UCO94-1	\$ 2,649.	283	TF73G93	\$ 2,799.	286
TF49UCO94-8	\$ 2,649.	283	TF73G94	\$ 2,799.	286
TF49UDO90-1D1	\$ 2,649.	283	TF73UDO90-1D3	\$ 3,249.	285
TF49UDO90-8D1	\$ 2,649.	283	TF73UDO90-1D5	\$ 3,249.	285
TF49UDO91-1D1	\$ 2,649.	283	TF73UDO90-1D6	\$ 3,249.	285
TF49UDO91-8D1	\$ 2,649.	283	TF73UDO90-8D3	\$ 3,249.	285
TF49UDO92-1D1	\$ 2,799.	283	TF73UDO90-8D5	\$ 3,249.	285
TF49UDO92-8D1	\$ 2,799.	283	TF73UDO90-8D6	\$ 3,249.	285
TF49UDO93-1D1	\$ 3,249.	283	TF73UDO91-1D3	\$ 3,249.	285
TF49UDO93-8D1	\$ 3,249.	283	TF73UDO91-1D5	\$ 3,249.	285
TF49UDO94-1D1	\$ 3,249.	283	TF73UDO91-1D6	\$ 3,249.	285
TF49UDO94-8D1	\$ 3,249.	283	TF73UDO91-8D3	\$ 3,249.	285
TF49ULO90-1	\$ 2,079.	283	TF73UDO91-8D5	\$ 3,249.	285
TF49ULO90-8	\$ 2,079.	283	TF73UDO91-8D6	\$ 3,249.	285
TF49ULO91-1	\$ 2,079.	283	TF73UDO92-1D3	\$ 3,349.	285
TF49ULO91-8	\$ 2,079.	283	TF73UDO92-1D5	\$ 3,349.	285
TF49ULO92-1	\$ 2,199.	283	TF73UDO92-1D6	\$ 3,349.	285
TF49ULO92-8	\$ 2,199.	283			

[] denotes Color/Pattern/Style options.

Model Number Price Index

Model Number	Price	Page
TF73UDO92-8D3	\$ 3,349.	285
TF73UDO92-8D5	\$ 3,349.	285
TF73UDO92-8D6	\$ 3,349.	285
TF73UDO93-1D3	\$ 3,849.	285
TF73UDO93-1D5	\$ 3,849.	285
TF73UDO93-1D6	\$ 3,849.	285
TF73UDO93-8D3	\$ 3,849.	285
TF73UDO93-8D5	\$ 3,849.	285
TF73UDO93-8D6	\$ 3,849.	285
TF73UDO94-1D3	\$ 3,849.	285
TF73UDO94-1D5	\$ 3,849.	285
TF73UDO94-1D6	\$ 3,849.	285
TF73UDO94-8D3	\$ 3,849.	285
TF73UDO94-8D5	\$ 3,849.	285
TF73UDO94-8D6	\$ 3,849.	285
TF73UTO90-1T1	\$ 3,849.	285
TF73UTO90-8T1	\$ 3,849.	285
TF73UTO91-1T1	\$ 3,849.	285
TF73UTO91-8T1	\$ 3,849.	285
TF73UTO92-1T1	\$ 3,949.	285
TF73UTO92-8T1	\$ 3,949.	285
TF73UTO93-1T1	\$ 4,429.	285
TF73UTO93-8T1	\$ 4,429.	285
TF73UTO94-1T1	\$ 4,429.	285
TF73UTO94-8T1	\$ 4,429.	285
TS25UCN21-1	\$ 1,079.	279
TS25UCN21-8	\$ 1,079.	279
TS31UCN21-1	\$ 1,179.	280
TS31UCN21-8	\$ 1,179.	280
UC24276FPNE0N	\$ 2,099.	61
UC30276FPNE0N	\$ 2,429.	61
UC30276FPNE2N	\$ 2,729.	61
UC30276FPNE4N	\$ 3,249.	61
UC30276RP3E2N	\$ 3,249.	61
UC30276RP3E4N	\$ 3,779.	61
UC36276FPNE2N	\$ 3,249.	62
UC36276FPNE4N	\$ 3,779.	62
UC36276RP3E2N	\$ 3,779.	62
UC36276RP3E4N	\$ 4,299.	62
UC48276FPNE2N	\$ 3,929.	62
UC48276FPNE4N	\$ 4,479.	62
UC48276RP3E2N	\$ 4,479.	62
UC48276RP3E4N	\$ 4,999.	62
UFLPAL	\$ 749.	175
UFLPBNL	\$ 879.	175
UFLPCRL	\$ 879.	175
UFLPPNL	\$ 879.	175
UFLWAL	\$ 749.	175
UFLWBNL	\$ 879.	175
UFLWCRL	\$ 879.	175
UFLWPNL	\$ 879.	175
UGKIT	\$ 179.	63, 297
UHANDLE2476	\$ 379.	63, 295
UHANDLE2477	\$ 379.	63, 295
UHANDLE2482	\$ 399.	63, 295
UHANDLE2483	\$ 399.	63, 295
UHANDLE3076	\$ 429.	63, 295
UHANDLE3077	\$ 429.	63, 295
UHANDLE3082	\$ 449.	63, 295
UHANDLE3083	\$ 449.	63, 295
UHANDLE3676	\$ 479.	63, 295
UHANDLE3677	\$ 479.	63, 295
UHANDLE3682	\$ 499.	63, 295
UHANDLE3683	\$ 499.	63, 295
UHANDLE4876	\$ 529.	63, 295
UHANDLE4877	\$ 529.	63, 295
UHANDLE4882	\$ 549.	63, 295
UHANDLE4883	\$ 549.	63, 295
USMK27D6P	\$ 179.	63, 299
USMK27D6SRP	\$ 179.	63, 299

Model Number	Price	Page
UTK24D6A	\$ 249.	63, 299
UTK24D6ASR	\$ 249.	63, 299
UTK30D6A	\$ 249.	63, 299
UTK30D6ASR	\$ 249.	63, 299
UTK36D6A	\$ 249.	63, 299
UTK36D6ASR	\$ 249.	63, 299
UTK48D6A	\$ 249.	63, 299
UTK48D6ASR	\$ 249.	63, 299
VADRAWER12X	\$ 549.	301
VADRAWER24P	\$ 679.	301
VADRAWER24X	\$ 679.	301
VADRAWER30P	\$ 779.	301
VADRAWER30X	\$ 779.	301
VADRAWER36P	\$ 849.	301
VADRAWER36X	\$ 849.	301
VAELECTRIC18	\$ 499.	301
VAELECTRIC21	\$ 499.	301
VAHAIRORG	\$ 249.	301
VALEG24H3D21T84	\$ 1,029.	302
VALEG30H3D21T84	\$ 1,129.	302
VALEG36H3D21T84	\$ 1,229.	302
VM1SKH1D18-__ [10/11/20/21]	\$ 229.	303
VM1SKH1D18-__ [12/19/23/24/25]	\$ 349.	303
VM1SKH1D18-__ [22/26/27/28/60/61]	\$ 299.	303
VM1SKH1D21-__ [10/11/20/21]	\$ 229.	303
VM1SKH1D21-__ [12/19/23/24/25]	\$ 349.	303
VM1SKH1D21-__ [22/26/27/28/60/61]	\$ 299.	303
VM1SKH2D18-__ [10/11/20/21]	\$ 299.	303
VM1SKH2D18-__ [12/19/23/24/25]	\$ 449.	303
VM1SKH2D18-__ [22/26/27/28/60/61]	\$ 349.	303
VM1SKH2D21-__ [10/11/20/21]	\$ 299.	303
VM1SKH2D21-__ [12/19/23/24/25]	\$ 449.	303
VM1SKH2D21-__ [22/26/27/28/60/61]	\$ 349.	303
VM1SKH3D18-__ [10/11/20/21]	\$ 349.	303
VM1SKH3D18-__ [12/19/23/24/25]	\$ 499.	303
VM1SKH3D18-__ [22/26/27/28/60/61]	\$ 449.	303
VM1SKH3D21-__ [10/11/20/21]	\$ 349.	303
VM1SKH3D21-__ [12/19/23/24/25]	\$ 499.	303
VM1SKH3D21-__ [22/26/27/28/60/61]	\$ 449.	303
VM1SKH4D18-__ [10/11/20/21]	\$ 449.	303
VM1SKH4D18-__ [12/19/23/24/25]	\$ 549.	303
VM1SKH4D18-__ [22/26/27/28/60/61]	\$ 499.	303
VM1SKH4D21-__ [10/11/20/21]	\$ 449.	303
VM1SKH4D21-__ [12/19/23/24/25]	\$ 549.	303
VM1SKH4D21-__ [22/26/27/28/60/61]	\$ 499.	303
VM2SKH1D18-__ [10/11/20/21]	\$ 349.	303
VM2SKH1D18-__ [12/19/23/24/25]	\$ 599.	303
VM2SKH1D18-__ [22/26/27/28/60/61]	\$ 499.	303
VM2SKH1D21-__ [10/11/20/21]	\$ 349.	303
VM2SKH1D21-__ [12/19/23/24/25]	\$ 599.	303
VM2SKH1D21-__ [22/26/27/28/60/61]	\$ 499.	303
VM2SKH2D18-__ [10/11/20/21]	\$ 449.	303
VM2SKH2D18-__ [12/19/23/24/25]	\$ 679.	303
VM2SKH2D18-__ [22/26/27/28/60/61]	\$ 549.	303
VM2SKH2D21-__ [10/11/20/21]	\$ 449.	303
VM2SKH2D21-__ [12/19/23/24/25]	\$ 679.	303
VM2SKH2D21-__ [22/26/27/28/60/61]	\$ 549.	303
VM2SKH3D18-__ [10/11/20/21]	\$ 599.	303
VM2SKH3D18-__ [12/19/23/24/25]	\$ 849.	303
VM2SKH3D18-__ [22/26/27/28/60/61]	\$ 729.	303
VM2SKH3D21-__ [10/11/20/21]	\$ 599.	303
VM2SKH3D21-__ [12/19/23/24/25]	\$ 849.	303
VM2SKH3D21-__ [22/26/27/28/60/61]	\$ 729.	303
VM2SKH4D18-__ [10/11/20/21]	\$ 729.	303
VM2SKH4D18-__ [12/19/23/24/25]	\$ 949.	303
VM2SKH4D18-__ [22/26/27/28/60/61]	\$ 849.	303
VM2SKH4D21-__ [10/11/20/21]	\$ 729.	303
VM2SKH4D21-__ [12/19/23/24/25]	\$ 949.	303
VM2SKH4D21-__ [22/26/27/28/60/61]	\$ 849.	303

__ [] denotes Color/Pattern/Style options.

Model Number Price Index

Model Number	Price	Page	Model Number	Price	Page
VM12H1D18F__ [10/11/20/21]N	\$ 499.	254	VM24H2D18P__ [22/26/27/28/60/61]N	\$ 1,779.	258
VM12H1D18F__ [10/11/20/21]S	\$ 799.	254	VM24H2D18P__ [22/26/27/28/60/61]S	\$ 2,149.	258
VM12H1D18F__ [12/19/23/24/25]N	\$ 1,429.	254	VM24H2D21F__ [10/11/20/21]N	\$ 1,299.	256
VM12H1D18F__ [12/19/23/24/25]S	\$ 1,729.	254	VM24H2D21F__ [10/11/20/21]S	\$ 1,679.	256
VM12H1D18F__ [22/26/27/28/60/61]N	\$ 979.	254	VM24H2D21F__ [12/19/23/24/25]N	\$ 2,249.	256
VM12H1D18F__ [22/26/27/28/60/61]S	\$ 1,249.	254	VM24H2D21F__ [12/19/23/24/25]S	\$ 2,599.	256
VM12H1D21F__ [10/11/20/21]N	\$ 499.	254	VM24H2D21F__ [22/26/27/28/60/61]N	\$ 1,779.	256
VM12H1D21F__ [10/11/20/21]S	\$ 799.	254	VM24H2D21F__ [22/26/27/28/60/61]S	\$ 2,149.	256
VM12H1D21F__ [12/19/23/24/25]N	\$ 1,429.	254	VM24H2D21P__ [10/11/20/21]N	\$ 1,299.	256
VM12H1D21F__ [12/19/23/24/25]S	\$ 1,729.	254	VM24H2D21P__ [10/11/20/21]S	\$ 1,679.	256
VM12H1D21F__ [22/26/27/28/60/61]N	\$ 979.	254	VM24H2D21P__ [12/19/23/24/25]N	\$ 2,249.	256
VM12H1D21F__ [22/26/27/28/60/61]S	\$ 1,249.	254	VM24H2D21P__ [12/19/23/24/25]S	\$ 2,599.	256
VM12H2D18F__ [10/11/20/21]N	\$ 749.	254	VM24H2D21P__ [22/26/27/28/60/61]N	\$ 1,779.	256
VM12H2D18F__ [10/11/20/21]S	\$ 1,029.	254	VM24H2D21P__ [22/26/27/28/60/61]S	\$ 2,149.	256
VM12H2D18F__ [12/19/23/24/25]N	\$ 1,679.	254	VM24H3D21A__ [11/21]N	\$ 3,629.	246
VM12H2D18F__ [12/19/23/24/25]S	\$ 1,949.	254	VM24H3D21A__ [26/27/60]N	\$ 4,449.	246
VM12H2D18F__ [22/26/27/28/60/61]N	\$ 1,199.	254	VM24H3D21A__ [11/21]S	\$ 3,999.	246
VM12H2D18F__ [22/26/27/28/60/61]S	\$ 1,529.	254	VM24H3D21A__ [26/27/60]S	\$ 4,829.	246
VM12H2D21F__ [10/11/20/21]N	\$ 749.	254	VM30H1D18F__ [10/11/20/21]N	\$ 1,679.	262
VM12H2D21F__ [10/11/20/21]S	\$ 1,029.	254	VM30H1D18F__ [10/11/20/21]S	\$ 2,049.	262
VM12H2D21F__ [12/19/23/24/25]N	\$ 1,679.	254	VM30H1D18F__ [12/19/23/24/25]N	\$ 2,599.	262
VM12H2D21F__ [12/19/23/24/25]S	\$ 1,949.	254	VM30H1D18F__ [12/19/23/24/25]S	\$ 2,979.	262
VM12H2D21F__ [22/26/27/28/60/61]N	\$ 1,199.	254	VM30H1D18F__ [22/26/27/28/60/61]N	\$ 2,149.	262
VM12H2D21F__ [22/26/27/28/60/61]S	\$ 1,529.	254	VM30H1D18F__ [22/26/27/28/60/61]S	\$ 2,549.	262
VM24H1D18F__ [10/11/20/21]N	\$ 1,079.	258	VM30H1D18P__ [10/11/20/21]N	\$ 1,679.	262
VM24H1D18F__ [10/11/20/21]S	\$ 1,429.	258	VM30H1D18P__ [10/11/20/21]S	\$ 2,049.	262
VM24H1D18F__ [12/19/23/24/25]N	\$ 1,999.	258	VM30H1D18P__ [12/19/23/24/25]N	\$ 2,599.	262
VM24H1D18F__ [12/19/23/24/25]S	\$ 2,349.	258	VM30H1D18P__ [12/19/23/24/25]S	\$ 2,979.	262
VM24H1D18F__ [22/26/27/28/60/61]N	\$ 1,579.	258	VM30H1D18P__ [22/26/27/28/60/61]N	\$ 2,149.	262
VM24H1D18F__ [22/26/27/28/60/61]S	\$ 1,899.	258	VM30H1D18P__ [22/26/27/28/60/61]S	\$ 2,549.	262
VM24H1D18P__ [10/11/20/21]N	\$ 1,079.	258	VM30H1D18T__ [10/11/20/21]N	\$ 1,679.	262
VM24H1D18P__ [10/11/20/21]S	\$ 1,429.	258	VM30H1D18T__ [10/11/20/21]S	\$ 2,049.	262
VM24H1D18P__ [12/19/23/24/25]N	\$ 1,999.	258	VM30H1D18T__ [12/19/23/24/25]N	\$ 2,599.	262
VM24H1D18P__ [12/19/23/24/25]S	\$ 2,349.	258	VM30H1D18T__ [12/19/23/24/25]S	\$ 2,979.	262
VM24H1D18P__ [22/26/27/28/60/61]N	\$ 1,579.	258	VM30H1D18T__ [22/26/27/28/60/61]N	\$ 2,149.	262
VM24H1D18P__ [22/26/27/28/60/61]S	\$ 1,899.	258	VM30H1D18T__ [22/26/27/28/60/61]S	\$ 2,549.	262
VM24H1D18T__ [10/11/20/21]N	\$ 1,079.	258	VM30H1D21F__ [10/11/20/21]N	\$ 1,679.	260
VM24H1D18T__ [10/11/20/21]S	\$ 1,429.	258	VM30H1D21F__ [10/11/20/21]S	\$ 2,049.	260
VM24H1D18T__ [12/19/23/24/25]N	\$ 1,999.	258	VM30H1D21F__ [12/19/23/24/25]N	\$ 2,599.	260
VM24H1D18T__ [12/19/23/24/25]S	\$ 2,349.	258	VM30H1D21F__ [12/19/23/24/25]S	\$ 2,979.	260
VM24H1D18T__ [22/26/27/28/60/61]N	\$ 1,579.	258	VM30H1D21F__ [22/26/27/28/60/61]N	\$ 2,149.	260
VM24H1D18T__ [22/26/27/28/60/61]S	\$ 1,899.	258	VM30H1D21F__ [22/26/27/28/60/61]S	\$ 2,549.	260
VM24H1D21F__ [10/11/20/21]N	\$ 1,079.	256	VM30H1D21P__ [10/11/20/21]N	\$ 1,679.	260
VM24H1D21F__ [10/11/20/21]S	\$ 1,429.	256	VM30H1D21P__ [10/11/20/21]S	\$ 2,049.	260
VM24H1D21F__ [12/19/23/24/25]N	\$ 1,999.	256	VM30H1D21P__ [12/19/23/24/25]N	\$ 2,599.	260
VM24H1D21F__ [12/19/23/24/25]S	\$ 2,349.	256	VM30H1D21P__ [12/19/23/24/25]S	\$ 2,979.	260
VM24H1D21F__ [22/26/27/28/60/61]N	\$ 1,579.	256	VM30H1D21P__ [22/26/27/28/60/61]N	\$ 2,149.	260
VM24H1D21F__ [22/26/27/28/60/61]S	\$ 1,899.	256	VM30H1D21P__ [22/26/27/28/60/61]S	\$ 2,549.	260
VM24H1D21P__ [10/11/20/21]N	\$ 1,079.	256	VM30H1D21T__ [10/11/20/21]N	\$ 1,679.	260
VM24H1D21P__ [10/11/20/21]S	\$ 1,429.	256	VM30H1D21T__ [10/11/20/21]S	\$ 2,049.	260
VM24H1D21P__ [12/19/23/24/25]N	\$ 1,999.	256	VM30H1D21T__ [12/19/23/24/25]N	\$ 2,599.	260
VM24H1D21P__ [12/19/23/24/25]S	\$ 2,349.	256	VM30H1D21T__ [12/19/23/24/25]S	\$ 2,979.	260
VM24H1D21P__ [22/26/27/28/60/61]N	\$ 1,579.	256	VM30H1D21T__ [22/26/27/28/60/61]N	\$ 2,149.	260
VM24H1D21P__ [22/26/27/28/60/61]S	\$ 1,899.	256	VM30H1D21T__ [22/26/27/28/60/61]S	\$ 2,549.	260
VM24H1D21T__ [10/11/20/21]N	\$ 1,079.	256	VM30H2D18F__ [10/11/20/21]N	\$ 1,899.	262
VM24H1D21T__ [10/11/20/21]S	\$ 1,429.	256	VM30H2D18F__ [10/11/20/21]S	\$ 2,299.	262
VM24H1D21T__ [12/19/23/24/25]N	\$ 1,999.	256	VM30H2D18F__ [12/19/23/24/25]N	\$ 2,829.	262
VM24H1D21T__ [12/19/23/24/25]S	\$ 2,349.	256	VM30H2D18F__ [12/19/23/24/25]S	\$ 3,229.	262
VM24H1D21T__ [22/26/27/28/60/61]N	\$ 1,579.	256	VM30H2D18F__ [22/26/27/28/60/61]N	\$ 2,349.	262
VM24H1D21T__ [22/26/27/28/60/61]S	\$ 1,899.	256	VM30H2D18F__ [22/26/27/28/60/61]S	\$ 2,779.	262
VM24H2D18F__ [10/11/20/21]N	\$ 1,299.	258	VM30H2D18P__ [10/11/20/21]N	\$ 1,899.	262
VM24H2D18F__ [10/11/20/21]S	\$ 1,679.	258	VM30H2D18P__ [10/11/20/21]S	\$ 2,299.	262
VM24H2D18F__ [12/19/23/24/25]N	\$ 2,249.	258	VM30H2D18P__ [12/19/23/24/25]N	\$ 2,829.	262
VM24H2D18F__ [12/19/23/24/25]S	\$ 2,599.	258	VM30H2D18P__ [12/19/23/24/25]S	\$ 3,229.	262
VM24H2D18F__ [22/26/27/28/60/61]N	\$ 1,779.	258	VM30H2D18P__ [22/26/27/28/60/61]N	\$ 2,349.	262
VM24H2D18F__ [22/26/27/28/60/61]S	\$ 2,149.	258	VM30H2D18P__ [22/26/27/28/60/61]S	\$ 2,779.	262
VM24H2D18P__ [10/11/20/21]N	\$ 1,299.	258	VM30H2D21F__ [10/11/20/21]N	\$ 1,899.	260
VM24H2D18P__ [10/11/20/21]S	\$ 1,679.	258	VM30H2D21F__ [10/11/20/21]S	\$ 2,299.	260
VM24H2D18P__ [12/19/23/24/25]N	\$ 2,249.	258	VM30H2D21F__ [12/19/23/24/25]N	\$ 2,829.	260
VM24H2D18P__ [12/19/23/24/25]S	\$ 2,599.	258	VM30H2D21F__ [12/19/23/24/25]S	\$ 3,229.	260

__ [] denotes Color/Pattern/Style options.

Model Number Price Index

Model Number	Price	Page	Model Number	Price	Page
VM30H2D21F__ [22/26/27/28/60/61]N	\$ 2,349.	260	VM36H2D21P__ [22/26/27/28/60/61]N	\$ 2,929.	264
VM30H2D21F__ [22/26/27/28/60/61]S	\$ 2,779.	260	VM36H2D21P__ [22/26/27/28/60/61]S	\$ 3,379.	264
VM30H2D21P__ [10/11/20/21]N	\$ 1,899.	260	VM36H3D21A__ [11/21]N	\$ 5,479.	246
VM30H2D21P__ [10/11/20/21]S	\$ 2,299.	260	VM36H3D21A__ [26/27/60]N	\$ 6,299.	246
VM30H2D21P__ [12/19/23/24/25]N	\$ 2,829.	260	VM36H3D21A__ [11/21]S	\$ 5,949.	246
VM30H2D21P__ [12/19/23/24/25]S	\$ 3,229.	260	VM36H3D21A__ [26/27/60]S	\$ 6,749.	246
VM30H2D21P__ [22/26/27/28/60/61]N	\$ 2,349.	260	VMAKITH1	\$ 99.	302
VM30H2D21P__ [22/26/27/28/60/61]S	\$ 2,779.	260	VMAKITH2	\$ 99.	302
VM30H3D21A__ [11/21]N	\$ 4,549.	246	VMAKITH3	\$ 229.	302
VM30H3D21A__ [26/27/60]N	\$ 5,379.	246	VMAKITH4	\$ 229.	302
VM30H3D21A__ [11/21]S	\$ 4,979.	246	VMGKITH1	\$ 99.	302
VM30H3D21A__ [26/27/60]S	\$ 5,799.	246	VMGKITH2	\$ 99.	302
VM36H1D18F__ [10/11/20/21]N	\$ 2,249.	266	VMGKITH3	\$ 229.	302
VM36H1D18F__ [10/11/20/21]S	\$ 2,699.	266	VMGKITH4	\$ 229.	302
VM36H1D18F__ [12/19/23/24/25]N	\$ 3,179.	266	VP12H1D18F__ [10/11/20/21]N76	\$ 749.	228
VM36H1D18F__ [12/19/23/24/25]S	\$ 3,629.	266	VP12H1D18F__ [12/19/23]N76	\$ 1,679.	228
VM36H1D18F__ [22/26/27/28/60/61]N	\$ 2,699.	266	VP12H1D18F__ [22/26/27/28]N76	\$ 1,199.	228
VM36H1D18F__ [22/26/27/28/60/61]S	\$ 3,179.	266	VP12H1D18F__ [10/11/20/21]N77	\$ 749.	228
VM36H1D18P__ [10/11/20/21]N	\$ 2,249.	266	VP12H1D18F__ [12/19/23]N77	\$ 1,679.	228
VM36H1D18P__ [10/11/20/21]S	\$ 2,699.	266	VP12H1D18F__ [22/26/27/28]N77	\$ 1,199.	228
VM36H1D18P__ [12/19/23/24/25]N	\$ 3,179.	266	VP12H1D18F__ [10/11/20/21]N82	\$ 879.	228
VM36H1D18P__ [12/19/23/24/25]S	\$ 3,629.	266	VP12H1D18F__ [12/19/23]N82	\$ 1,779.	228
VM36H1D18P__ [22/26/27/28/60/61]N	\$ 2,699.	266	VP12H1D18F__ [22/26/27/28]N82	\$ 1,299.	228
VM36H1D18P__ [22/26/27/28/60/61]S	\$ 3,179.	266	VP12H1D18F__ [10/11/20/21]N83	\$ 879.	228
VM36H1D18T__ [10/11/20/21]N	\$ 2,249.	266	VP12H1D18F__ [12/19/23]N83	\$ 1,779.	228
VM36H1D18T__ [10/11/20/21]S	\$ 2,699.	266	VP12H1D18F__ [22/26/27/28]N83	\$ 1,299.	228
VM36H1D18T__ [12/19/23/24/25]N	\$ 3,179.	266	VP12H1D18F__ [10/11/20/21]S76	\$ 1,029.	228
VM36H1D18T__ [12/19/23/24/25]S	\$ 3,629.	266	VP12H1D18F__ [12/19/23]S76	\$ 1,949.	228
VM36H1D18T__ [22/26/27/28/60/61]N	\$ 2,699.	266	VP12H1D18F__ [22/26/27/28]S76	\$ 1,529.	228
VM36H1D18T__ [22/26/27/28/60/61]S	\$ 3,179.	266	VP12H1D18F__ [10/11/20/21]S77	\$ 1,029.	228
VM36H1D21F__ [10/11/20/21]N	\$ 2,249.	264	VP12H1D18F__ [12/19/23]S77	\$ 1,949.	228
VM36H1D21F__ [10/11/20/21]S	\$ 2,699.	264	VP12H1D18F__ [22/26/27/28]S77	\$ 1,529.	228
VM36H1D21F__ [12/19/23/24/25]N	\$ 3,179.	264	VP12H1D18F__ [10/11/20/21]S82	\$ 1,149.	228
VM36H1D21F__ [12/19/23/24/25]S	\$ 3,629.	264	VP12H1D18F__ [12/19/23]S82	\$ 2,049.	228
VM36H1D21F__ [22/26/27/28/60/61]N	\$ 2,699.	264	VP12H1D18F__ [22/26/27/28]S82	\$ 1,629.	228
VM36H1D21F__ [22/26/27/28/60/61]S	\$ 3,179.	264	VP12H1D18F__ [10/11/20/21]S83	\$ 1,149.	228
VM36H1D21P__ [10/11/20/21]N	\$ 2,249.	264	VP12H1D18F__ [12/19/23]S83	\$ 2,049.	228
VM36H1D21P__ [10/11/20/21]S	\$ 2,699.	264	VP12H1D18F__ [22/26/27/28]S83	\$ 1,629.	228
VM36H1D21P__ [12/19/23/24/25]N	\$ 3,179.	264	VP12H1D21F__ [10/11/20/21]N76	\$ 749.	228
VM36H1D21P__ [12/19/23/24/25]S	\$ 3,629.	264	VP12H1D21F__ [12/19/23]N76	\$ 1,679.	228
VM36H1D21P__ [22/26/27/28/60/61]N	\$ 2,699.	264	VP12H1D21F__ [22/26/27/28]N76	\$ 1,199.	228
VM36H1D21P__ [22/26/27/28/60/61]S	\$ 3,179.	264	VP12H1D21F__ [10/11/20/21]N77	\$ 749.	228
VM36H1D21T__ [10/11/20/21]N	\$ 2,249.	264	VP12H1D21F__ [12/19/23]N77	\$ 1,679.	228
VM36H1D21T__ [10/11/20/21]S	\$ 2,699.	264	VP12H1D21F__ [22/26/27/28]N77	\$ 1,199.	228
VM36H1D21T__ [12/19/23/24/25]N	\$ 3,179.	264	VP12H1D21F__ [10/11/20/21]N82	\$ 879.	228
VM36H1D21T__ [12/19/23/24/25]S	\$ 3,629.	264	VP12H1D21F__ [12/19/23]N82	\$ 1,779.	228
VM36H1D21T__ [22/26/27/28/60/61]N	\$ 2,699.	264	VP12H1D21F__ [22/26/27/28]N82	\$ 1,299.	228
VM36H1D21T__ [22/26/27/28/60/61]S	\$ 3,179.	264	VP12H1D21F__ [10/11/20/21]N83	\$ 879.	228
VM36H2D18F__ [10/11/20/21]N	\$ 2,499.	266	VP12H1D21F__ [12/19/23]N83	\$ 1,779.	228
VM36H2D18F__ [10/11/20/21]S	\$ 2,929.	266	VP12H1D21F__ [22/26/27/28]N83	\$ 1,299.	228
VM36H2D18F__ [12/19/23/24/25]N	\$ 3,379.	266	VP12H1D21F__ [10/11/20/21]S76	\$ 1,029.	228
VM36H2D18F__ [12/19/23/24/25]S	\$ 3,849.	266	VP12H1D21F__ [12/19/23]S76	\$ 1,949.	228
VM36H2D18F__ [22/26/27/28/60/61]N	\$ 2,929.	266	VP12H1D21F__ [22/26/27/28]S76	\$ 1,529.	228
VM36H2D18F__ [22/26/27/28/60/61]S	\$ 3,379.	266	VP12H1D21F__ [10/11/20/21]S77	\$ 1,029.	228
VM36H2D18P__ [10/11/20/21]N	\$ 2,499.	266	VP12H1D21F__ [12/19/23]S77	\$ 1,949.	228
VM36H2D18P__ [10/11/20/21]S	\$ 2,929.	266	VP12H1D21F__ [22/26/27/28]S77	\$ 1,529.	228
VM36H2D18P__ [12/19/23/24/25]N	\$ 3,379.	266	VP12H1D21F__ [10/11/20/21]S82	\$ 1,149.	228
VM36H2D18P__ [12/19/23/24/25]S	\$ 3,849.	266	VP12H1D21F__ [12/19/23]S82	\$ 2,049.	228
VM36H2D18P__ [22/26/27/28/60/61]N	\$ 2,929.	266	VP12H1D21F__ [22/26/27/28]S82	\$ 1,629.	228
VM36H2D18P__ [22/26/27/28/60/61]S	\$ 3,379.	266	VP12H1D21F__ [10/11/20/21]S83	\$ 1,149.	228
VM36H2D21F__ [10/11/20/21]N	\$ 2,499.	264	VP12H1D21F__ [12/19/23]S83	\$ 2,049.	228
VM36H2D21F__ [10/11/20/21]S	\$ 2,929.	264	VP12H1D21F__ [22/26/27/28]S83	\$ 1,629.	228
VM36H2D21F__ [12/19/23/24/25]N	\$ 3,379.	264	VP12H2D18F__ [10/11/20/21]N76	\$ 979.	228
VM36H2D21F__ [12/19/23/24/25]S	\$ 3,849.	264	VP12H2D18F__ [12/19/23]N76	\$ 1,899.	228
VM36H2D21F__ [22/26/27/28/60/61]N	\$ 2,929.	264	VP12H2D18F__ [22/26/27/28]N76	\$ 1,429.	228
VM36H2D21F__ [22/26/27/28/60/61]S	\$ 3,379.	264	VP12H2D18F__ [10/11/20/21]N77	\$ 979.	228
VM36H2D21P__ [10/11/20/21]N	\$ 2,499.	264	VP12H2D18F__ [12/19/23]N77	\$ 1,899.	228
VM36H2D21P__ [10/11/20/21]S	\$ 2,929.	264	VP12H2D18F__ [22/26/27/28]N77	\$ 1,429.	228
VM36H2D21P__ [12/19/23/24/25]N	\$ 3,379.	264	VP12H2D18F__ [10/11/20/21]N82	\$ 1,079.	228
VM36H2D21P__ [12/19/23/24/25]S	\$ 3,849.	264	VP12H2D18F__ [12/19/23]N82	\$ 1,999.	228
VM36H2D21P__ [22/26/27/28/60/61]N	\$ 2,929.	264	VP12H2D18F__ [22/26/27/28]N82	\$ 1,579.	228

__ [] denotes Color/Pattern/Style options.

Model Number Price Index

Model Number	Price	Page	Model Number	Price	Page
VP12H2D18F__[10/11/20/21]N83	\$ 1,079.	228	VP24H1D18P__[10/11/20/21]N82	\$ 1,429.	232
VP12H2D18F__[12/19/23]N83	\$ 1,999.	228	VP24H1D18P__[12/19/23]N82	\$ 2,349.	232
VP12H2D18F__[22/26/27/28]N83	\$ 1,579.	228	VP24H1D18P__[22/26/27/28]N82	\$ 1,899.	232
VP12H2D18F__[10/11/20/21]S76	\$ 1,249.	228	VP24H1D18P__[10/11/20/21]N83	\$ 1,429.	232
VP12H2D18F__[12/19/23]S76	\$ 2,199.	228	VP24H1D18P__[12/19/23]N83	\$ 2,349.	232
VP12H2D18F__[22/26/27/28]S76	\$ 1,729.	228	VP24H1D18P__[22/26/27/28]N83	\$ 1,899.	232
VP12H2D18F__[10/11/20/21]S77	\$ 1,249.	228	VP24H1D18P__[10/11/20/21]S76	\$ 1,679.	232
VP12H2D18F__[12/19/23]S77	\$ 2,199.	228	VP24H1D18P__[12/19/23]S76	\$ 2,599.	232
VP12H2D18F__[22/26/27/28]S77	\$ 1,729.	228	VP24H1D18P__[22/26/27/28]S76	\$ 2,149.	232
VP12H2D18F__[10/11/20/21]S82	\$ 1,349.	228	VP24H1D18P__[10/11/20/21]S77	\$ 1,679.	232
VP12H2D18F__[12/19/23]S82	\$ 2,299.	228	VP24H1D18P__[12/19/23]S77	\$ 2,599.	232
VP12H2D18F__[22/26/27/28]S82	\$ 1,849.	228	VP24H1D18P__[22/26/27/28]S77	\$ 2,149.	232
VP12H2D18F__[10/11/20/21]S83	\$ 1,349.	228	VP24H1D18P__[10/11/20/21]S82	\$ 1,779.	232
VP12H2D18F__[12/19/23]S83	\$ 2,299.	228	VP24H1D18P__[12/19/23]S82	\$ 2,699.	232
VP12H2D18F__[22/26/27/28]S83	\$ 1,849.	228	VP24H1D18P__[22/26/27/28]S82	\$ 2,249.	232
VP12H2D21F__[10/11/20/21]N76	\$ 979.	228	VP24H1D18P__[10/11/20/21]S83	\$ 1,779.	232
VP12H2D21F__[12/19/23]N76	\$ 1,899.	228	VP24H1D18P__[12/19/23]S83	\$ 2,699.	232
VP12H2D21F__[22/26/27/28]N76	\$ 1,429.	228	VP24H1D18P__[22/26/27/28]S83	\$ 2,249.	232
VP12H2D21F__[10/11/20/21]N77	\$ 979.	228	VP24H1D18R__[10/11/20/21]N76	\$ 979.	232
VP12H2D21F__[12/19/23]N77	\$ 1,899.	228	VP24H1D18R__[12/19/23]N76	\$ 1,579.	232
VP12H2D21F__[22/26/27/28]N77	\$ 1,429.	228	VP24H1D18R__[22/26/27/28]N76	\$ 1,279.	232
VP12H2D21F__[10/11/20/21]N82	\$ 1,079.	228	VP24H1D18R__[10/11/20/21]N77	\$ 979.	232
VP12H2D21F__[12/19/23]N82	\$ 1,999.	228	VP24H1D18R__[12/19/23]N77	\$ 1,579.	232
VP12H2D21F__[22/26/27/28]N82	\$ 1,579.	228	VP24H1D18R__[22/26/27/28]N77	\$ 1,279.	232
VP12H2D21F__[10/11/20/21]N83	\$ 1,079.	228	VP24H1D18R__[10/11/20/21]N82	\$ 1,079.	232
VP12H2D21F__[12/19/23]N83	\$ 1,999.	228	VP24H1D18R__[12/19/23]N82	\$ 1,699.	232
VP12H2D21F__[22/26/27/28]N83	\$ 1,579.	228	VP24H1D18R__[22/26/27/28]N82	\$ 1,379.	232
VP12H2D21F__[10/11/20/21]S76	\$ 1,249.	228	VP24H1D18R__[10/11/20/21]N83	\$ 1,079.	232
VP12H2D21F__[12/19/23]S76	\$ 2,199.	228	VP24H1D18R__[12/19/23]N83	\$ 1,699.	232
VP12H2D21F__[22/26/27/28]S76	\$ 1,729.	228	VP24H1D18R__[22/26/27/28]N83	\$ 1,379.	232
VP12H2D21F__[10/11/20/21]S77	\$ 1,249.	228	VP24H1D18R__[10/11/20/21]S76	\$ 1,279.	232
VP12H2D21F__[12/19/23]S77	\$ 2,199.	228	VP24H1D18R__[12/19/23]S76	\$ 1,899.	232
VP12H2D21F__[22/26/27/28]S77	\$ 1,729.	228	VP24H1D18R__[22/26/27/28]S76	\$ 1,579.	232
VP12H2D21F__[10/11/20/21]S82	\$ 1,349.	228	VP24H1D18R__[10/11/20/21]S77	\$ 1,279.	232
VP12H2D21F__[12/19/23]S82	\$ 2,299.	228	VP24H1D18R__[12/19/23]S77	\$ 1,899.	232
VP12H2D21F__[22/26/27/28]S82	\$ 1,849.	228	VP24H1D18R__[22/26/27/28]S77	\$ 1,579.	232
VP12H2D21F__[10/11/20/21]S83	\$ 1,349.	228	VP24H1D18R__[10/11/20/21]S82	\$ 1,379.	232
VP12H2D21F__[12/19/23]S83	\$ 2,299.	228	VP24H1D18R__[12/19/23]S82	\$ 1,999.	232
VP12H2D21F__[22/26/27/28]S83	\$ 1,849.	228	VP24H1D18R__[22/26/27/28]S82	\$ 1,699.	232
VP24H1D18F__[10/11/20/21]N76	\$ 1,299.	232	VP24H1D18R__[10/11/20/21]S83	\$ 1,379.	232
VP24H1D18F__[12/19/23]N76	\$ 2,249.	232	VP24H1D18R__[12/19/23]S83	\$ 1,999.	232
VP24H1D18F__[22/26/27/28]N76	\$ 1,779.	232	VP24H1D18R__[22/26/27/28]S83	\$ 1,699.	232
VP24H1D18F__[10/11/20/21]N77	\$ 1,299.	232	VP24H1D18T__[10/11/20/21]N76	\$ 1,299.	232
VP24H1D18F__[12/19/23]N77	\$ 2,249.	232	VP24H1D18T__[12/19/23]N76	\$ 2,249.	232
VP24H1D18F__[22/26/27/28]N77	\$ 1,779.	232	VP24H1D18T__[22/26/27/28]N76	\$ 1,779.	232
VP24H1D18F__[10/11/20/21]N82	\$ 1,429.	232	VP24H1D18T__[10/11/20/21]N77	\$ 1,299.	232
VP24H1D18F__[12/19/23]N82	\$ 2,349.	232	VP24H1D18T__[12/19/23]N77	\$ 2,249.	232
VP24H1D18F__[22/26/27/28]N82	\$ 1,899.	232	VP24H1D18T__[22/26/27/28]N77	\$ 1,779.	232
VP24H1D18F__[10/11/20/21]N83	\$ 1,429.	232	VP24H1D18T__[10/11/20/21]N82	\$ 1,429.	232
VP24H1D18F__[12/19/23]N83	\$ 2,349.	232	VP24H1D18T__[12/19/23]N82	\$ 2,349.	232
VP24H1D18F__[22/26/27/28]N83	\$ 1,899.	232	VP24H1D18T__[22/26/27/28]N82	\$ 1,899.	232
VP24H1D18F__[10/11/20/21]S76	\$ 1,679.	232	VP24H1D18T__[10/11/20/21]N83	\$ 1,429.	232
VP24H1D18F__[12/19/23]S76	\$ 2,599.	232	VP24H1D18T__[12/19/23]N83	\$ 2,349.	232
VP24H1D18F__[22/26/27/28]S76	\$ 2,149.	232	VP24H1D18T__[22/26/27/28]N83	\$ 1,899.	232
VP24H1D18F__[10/11/20/21]S77	\$ 1,679.	232	VP24H1D18T__[10/11/20/21]S76	\$ 1,679.	232
VP24H1D18F__[12/19/23]S77	\$ 2,599.	232	VP24H1D18T__[12/19/23]S76	\$ 2,599.	232
VP24H1D18F__[22/26/27/28]S77	\$ 2,149.	232	VP24H1D18T__[22/26/27/28]S76	\$ 2,149.	232
VP24H1D18F__[10/11/20/21]S82	\$ 1,779.	232	VP24H1D18T__[10/11/20/21]S77	\$ 1,679.	232
VP24H1D18F__[12/19/23]S82	\$ 2,699.	232	VP24H1D18T__[12/19/23]S77	\$ 2,599.	232
VP24H1D18F__[22/26/27/28]S82	\$ 2,249.	232	VP24H1D18T__[22/26/27/28]S77	\$ 2,149.	232
VP24H1D18F__[10/11/20/21]S83	\$ 1,779.	232	VP24H1D18T__[10/11/20/21]S82	\$ 1,779.	232
VP24H1D18F__[12/19/23]S83	\$ 2,699.	232	VP24H1D18T__[12/19/23]S82	\$ 2,699.	232
VP24H1D18F__[22/26/27/28]S83	\$ 2,249.	232	VP24H1D18T__[22/26/27/28]S82	\$ 2,249.	232
VP24H1D18P__[10/11/20/21]N76	\$ 1,299.	232	VP24H1D18T__[10/11/20/21]S83	\$ 1,779.	232
VP24H1D18P__[12/19/23]N76	\$ 2,249.	232	VP24H1D18T__[12/19/23]S83	\$ 2,699.	232
VP24H1D18P__[22/26/27/28]N76	\$ 1,779.	232	VP24H1D18T__[22/26/27/28]S83	\$ 2,249.	232
VP24H1D18P__[10/11/20/21]N77	\$ 1,299.	232	VP24H1D21F__[10/11/20/21]N76	\$ 1,299.	230
VP24H1D18P__[12/19/23]N77	\$ 2,249.	232	VP24H1D21F__[12/19/23]N76	\$ 2,249.	230
VP24H1D18P__[22/26/27/28]N77	\$ 1,779.	232	VP24H1D21F__[22/26/27/28]N76	\$ 1,779.	230

__ [] denotes Color/Pattern/Style options.

Model Number Price Index

Model Number	Price	Page
VP24H1D21F_[10/11/20/21]N77	\$ 1,299.	230
VP24H1D21F_[12/19/23]N77	\$ 2,249.	230
VP24H1D21F_[22/26/27/28]N77	\$ 1,779.	230
VP24H1D21F_[10/11/20/21]N82	\$ 1,429.	230
VP24H1D21F_[12/19/23]N82	\$ 2,349.	230
VP24H1D21F_[22/26/27/28]N82	\$ 1,899.	230
VP24H1D21F_[10/11/20/21]N83	\$ 1,429.	230
VP24H1D21F_[12/19/23]N83	\$ 2,349.	230
VP24H1D21F_[22/26/27/28]N83	\$ 1,899.	230
VP24H1D21F_[10/11/20/21]S76	\$ 1,679.	230
VP24H1D21F_[12/19/23]S76	\$ 2,599.	230
VP24H1D21F_[22/26/27/28]S76	\$ 2,149.	230
VP24H1D21F_[10/11/20/21]S77	\$ 1,679.	230
VP24H1D21F_[12/19/23]S77	\$ 2,599.	230
VP24H1D21F_[22/26/27/28]S77	\$ 2,149.	230
VP24H1D21F_[10/11/20/21]S82	\$ 1,779.	230
VP24H1D21F_[12/19/23]S82	\$ 2,699.	230
VP24H1D21F_[22/26/27/28]S82	\$ 2,249.	230
VP24H1D21F_[10/11/20/21]S83	\$ 1,779.	230
VP24H1D21F_[12/19/23]S83	\$ 2,699.	230
VP24H1D21F_[22/26/27/28]S83	\$ 2,249.	230
VP24H1D21P_[10/11/20/21]N76	\$ 1,299.	230
VP24H1D21P_[12/19/23]N76	\$ 2,249.	230
VP24H1D21P_[22/26/27/28]N76	\$ 1,779.	230
VP24H1D21P_[10/11/20/21]N77	\$ 1,299.	230
VP24H1D21P_[12/19/23]N77	\$ 2,249.	230
VP24H1D21P_[22/26/27/28]N77	\$ 1,779.	230
VP24H1D21P_[10/11/20/21]N82	\$ 1,429.	230
VP24H1D21P_[12/19/23]N82	\$ 2,349.	230
VP24H1D21P_[22/26/27/28]N82	\$ 1,899.	230
VP24H1D21P_[10/11/20/21]N83	\$ 1,429.	230
VP24H1D21P_[12/19/23]N83	\$ 2,349.	230
VP24H1D21P_[22/26/27/28]N83	\$ 1,899.	230
VP24H1D21P_[10/11/20/21]S76	\$ 1,679.	230
VP24H1D21P_[12/19/23]S76	\$ 2,599.	230
VP24H1D21P_[22/26/27/28]S76	\$ 2,149.	230
VP24H1D21P_[10/11/20/21]S77	\$ 1,679.	230
VP24H1D21P_[12/19/23]S77	\$ 2,599.	230
VP24H1D21P_[22/26/27/28]S77	\$ 2,149.	230
VP24H1D21P_[10/11/20/21]S82	\$ 1,779.	230
VP24H1D21P_[12/19/23]S82	\$ 2,699.	230
VP24H1D21P_[22/26/27/28]S82	\$ 2,249.	230
VP24H1D21P_[10/11/20/21]S83	\$ 1,779.	230
VP24H1D21P_[12/19/23]S83	\$ 2,699.	230
VP24H1D21P_[22/26/27/28]S83	\$ 2,249.	230
VP24H1D21R_[10/11/20/21]N76	\$ 979.	230
VP24H1D21R_[12/19/23]N76	\$ 1,579.	230
VP24H1D21R_[22/26/27/28]N76	\$ 1,279.	230
VP24H1D21R_[10/11/20/21]N77	\$ 979.	230
VP24H1D21R_[12/19/23]N77	\$ 1,579.	230
VP24H1D21R_[22/26/27/28]N77	\$ 1,279.	230
VP24H1D21R_[10/11/20/21]N82	\$ 1,079.	230
VP24H1D21R_[12/19/23]N82	\$ 1,699.	230
VP24H1D21R_[22/26/27/28]N82	\$ 1,379.	230
VP24H1D21R_[10/11/20/21]N83	\$ 1,079.	230
VP24H1D21R_[12/19/23]N83	\$ 1,699.	230
VP24H1D21R_[22/26/27/28]N83	\$ 1,379.	230
VP24H1D21R_[10/11/20/21]S76	\$ 1,279.	230
VP24H1D21R_[12/19/23]S76	\$ 1,899.	230
VP24H1D21R_[22/26/27/28]S76	\$ 1,579.	230
VP24H1D21R_[10/11/20/21]S77	\$ 1,279.	230
VP24H1D21R_[12/19/23]S77	\$ 1,899.	230
VP24H1D21R_[22/26/27/28]S77	\$ 1,579.	230
VP24H1D21R_[10/11/20/21]S82	\$ 1,379.	230
VP24H1D21R_[12/19/23]S82	\$ 1,999.	230
VP24H1D21R_[22/26/27/28]S82	\$ 1,699.	230
VP24H1D21R_[10/11/20/21]S83	\$ 1,379.	230
VP24H1D21R_[12/19/23]S83	\$ 1,999.	230
VP24H1D21R_[22/26/27/28]S83	\$ 1,699.	230

Model Number	Price	Page
VP24H1D21T_[10/11/20/21]N76	\$ 1,299.	230
VP24H1D21T_[12/19/23]N76	\$ 2,249.	230
VP24H1D21T_[22/26/27/28]N76	\$ 1,779.	230
VP24H1D21T_[10/11/20/21]N77	\$ 1,299.	230
VP24H1D21T_[12/19/23]N77	\$ 2,249.	230
VP24H1D21T_[22/26/27/28]N77	\$ 1,779.	230
VP24H1D21T_[10/11/20/21]N82	\$ 1,429.	230
VP24H1D21T_[12/19/23]N82	\$ 2,349.	230
VP24H1D21T_[22/26/27/28]N82	\$ 1,899.	230
VP24H1D21T_[10/11/20/21]N83	\$ 1,429.	230
VP24H1D21T_[12/19/23]N83	\$ 2,349.	230
VP24H1D21T_[22/26/27/28]N83	\$ 1,899.	230
VP24H1D21T_[10/11/20/21]S76	\$ 1,679.	230
VP24H1D21T_[12/19/23]S76	\$ 2,599.	230
VP24H1D21T_[22/26/27/28]S76	\$ 2,149.	230
VP24H1D21T_[10/11/20/21]S77	\$ 1,679.	230
VP24H1D21T_[12/19/23]S77	\$ 2,599.	230
VP24H1D21T_[22/26/27/28]S77	\$ 2,149.	230
VP24H1D21T_[10/11/20/21]S82	\$ 1,779.	230
VP24H1D21T_[12/19/23]S82	\$ 2,699.	230
VP24H1D21T_[22/26/27/28]S82	\$ 2,249.	230
VP24H1D21T_[10/11/20/21]S83	\$ 1,779.	230
VP24H1D21T_[12/19/23]S83	\$ 2,699.	230
VP24H1D21T_[22/26/27/28]S83	\$ 2,249.	230
VP24H2D18F_[10/11/20/21]N76	\$ 1,579.	232
VP24H2D18F_[12/19/23]N76	\$ 2,499.	232
VP24H2D18F_[22/26/27/28]N76	\$ 1,999.	232
VP24H2D18F_[10/11/20/21]N77	\$ 1,579.	232
VP24H2D18F_[12/19/23]N77	\$ 2,499.	232
VP24H2D18F_[22/26/27/28]N77	\$ 1,999.	232
VP24H2D18F_[10/11/20/21]N82	\$ 1,679.	232
VP24H2D18F_[12/19/23]N82	\$ 2,599.	232
VP24H2D18F_[22/26/27/28]N82	\$ 2,149.	232
VP24H2D18F_[10/11/20/21]N83	\$ 1,679.	232
VP24H2D18F_[12/19/23]N83	\$ 2,599.	232
VP24H2D18F_[22/26/27/28]N83	\$ 2,149.	232
VP24H2D18F_[10/11/20/21]S76	\$ 1,899.	232
VP24H2D18F_[12/19/23]S76	\$ 2,829.	232
VP24H2D18F_[22/26/27/28]S76	\$ 2,349.	232
VP24H2D18F_[10/11/20/21]S77	\$ 1,899.	232
VP24H2D18F_[12/19/23]S77	\$ 2,829.	232
VP24H2D18F_[22/26/27/28]S77	\$ 2,349.	232
VP24H2D18F_[10/11/20/21]S82	\$ 1,999.	232
VP24H2D18F_[12/19/23]S82	\$ 2,929.	232
VP24H2D18F_[22/26/27/28]S82	\$ 2,499.	232
VP24H2D18F_[10/11/20/21]S83	\$ 1,999.	232
VP24H2D18F_[12/19/23]S83	\$ 2,929.	232
VP24H2D18F_[22/26/27/28]S83	\$ 2,499.	232
VP24H2D18P_[10/11/20/21]N76	\$ 1,579.	232
VP24H2D18P_[12/19/23]N76	\$ 2,499.	232
VP24H2D18P_[22/26/27/28]N76	\$ 1,999.	232
VP24H2D18P_[10/11/20/21]N77	\$ 1,579.	232
VP24H2D18P_[12/19/23]N77	\$ 2,499.	232
VP24H2D18P_[22/26/27/28]N77	\$ 1,999.	232
VP24H2D18P_[10/11/20/21]N82	\$ 1,679.	232
VP24H2D18P_[12/19/23]N82	\$ 2,599.	232
VP24H2D18P_[22/26/27/28]N82	\$ 2,149.	232
VP24H2D18P_[10/11/20/21]N83	\$ 1,679.	232
VP24H2D18P_[12/19/23]N83	\$ 2,599.	232
VP24H2D18P_[22/26/27/28]N83	\$ 2,149.	232
VP24H2D18P_[10/11/20/21]S76	\$ 1,899.	232
VP24H2D18P_[12/19/23]S76	\$ 2,829.	232
VP24H2D18P_[22/26/27/28]S76	\$ 2,349.	232
VP24H2D18P_[10/11/20/21]S77	\$ 1,899.	232
VP24H2D18P_[12/19/23]S77	\$ 2,829.	232
VP24H2D18P_[22/26/27/28]S77	\$ 2,349.	232
VP24H2D18P_[10/11/20/21]S82	\$ 1,999.	232
VP24H2D18P_[12/19/23]S82	\$ 2,929.	232
VP24H2D18P_[22/26/27/28]S82	\$ 2,499.	232

Model Number Price Index

Model Number	Price	Page	Model Number	Price	Page
VP24H2D18P__ [10/11/20/21] S83	\$ 1,999.	232	VP30H1D18F__ [10/11/20/21] S77	\$ 2,299.	236
VP24H2D18P__ [12/19/23] S83	\$ 2,929.	232	VP30H1D18F__ [12/19/23] S77	\$ 3,229.	236
VP24H2D18P__ [22/26/27/28] S83	\$ 2,499.	232	VP30H1D18F__ [22/26/27/28] S77	\$ 2,779.	236
VP24H2D21F__ [10/11/20/21] N76	\$ 1,579.	230	VP30H1D18F__ [10/11/20/21] S82	\$ 2,399.	236
VP24H2D21F__ [12/19/23] N76	\$ 2,499.	230	VP30H1D18F__ [12/19/23] S82	\$ 3,329.	236
VP24H2D21F__ [22/26/27/28] N76	\$ 1,999.	230	VP30H1D18F__ [22/26/27/28] S82	\$ 2,879.	236
VP24H2D21F__ [10/11/20/21] N77	\$ 1,579.	230	VP30H1D18F__ [10/11/20/21] S83	\$ 2,399.	236
VP24H2D21F__ [12/19/23] N77	\$ 2,499.	230	VP30H1D18F__ [12/19/23] S83	\$ 3,329.	236
VP24H2D21F__ [22/26/27/28] N77	\$ 1,999.	230	VP30H1D18F__ [22/26/27/28] S83	\$ 2,879.	236
VP24H2D21F__ [10/11/20/21] N82	\$ 1,679.	230	VP30H1D18P__ [10/11/20/21] N76	\$ 1,899.	236
VP24H2D21F__ [12/19/23] N82	\$ 2,599.	230	VP30H1D18P__ [12/19/23] N76	\$ 2,829.	236
VP24H2D21F__ [22/26/27/28] N82	\$ 2,149.	230	VP30H1D18P__ [22/26/27/28] N76	\$ 2,349.	236
VP24H2D21F__ [10/11/20/21] N83	\$ 1,679.	230	VP30H1D18P__ [10/11/20/21] N77	\$ 1,899.	236
VP24H2D21F__ [12/19/23] N83	\$ 2,599.	230	VP30H1D18P__ [12/19/23] N77	\$ 2,829.	236
VP24H2D21F__ [22/26/27/28] N83	\$ 2,149.	230	VP30H1D18P__ [22/26/27/28] N77	\$ 2,349.	236
VP24H2D21F__ [10/11/20/21] S76	\$ 1,899.	230	VP30H1D18P__ [10/11/20/21] N82	\$ 1,999.	236
VP24H2D21F__ [12/19/23] S76	\$ 2,829.	230	VP30H1D18P__ [12/19/23] N82	\$ 2,929.	236
VP24H2D21F__ [22/26/27/28] S76	\$ 2,349.	230	VP30H1D18P__ [22/26/27/28] N82	\$ 2,499.	236
VP24H2D21F__ [10/11/20/21] S77	\$ 1,899.	230	VP30H1D18P__ [10/11/20/21] N83	\$ 1,999.	236
VP24H2D21F__ [12/19/23] S77	\$ 2,829.	230	VP30H1D18P__ [12/19/23] N83	\$ 2,929.	236
VP24H2D21F__ [22/26/27/28] S77	\$ 2,349.	230	VP30H1D18P__ [22/26/27/28] N83	\$ 2,499.	236
VP24H2D21F__ [10/11/20/21] S82	\$ 1,999.	230	VP30H1D18P__ [10/11/20/21] S76	\$ 2,299.	236
VP24H2D21F__ [12/19/23] S82	\$ 2,929.	230	VP30H1D18P__ [12/19/23] S76	\$ 3,229.	236
VP24H2D21F__ [22/26/27/28] S82	\$ 2,499.	230	VP30H1D18P__ [22/26/27/28] S76	\$ 2,779.	236
VP24H2D21F__ [10/11/20/21] S83	\$ 1,999.	230	VP30H1D18P__ [10/11/20/21] S77	\$ 2,299.	236
VP24H2D21F__ [12/19/23] S83	\$ 2,929.	230	VP30H1D18P__ [12/19/23] S77	\$ 3,229.	236
VP24H2D21F__ [22/26/27/28] S83	\$ 2,499.	230	VP30H1D18P__ [22/26/27/28] S77	\$ 2,779.	236
VP24H2D21P__ [10/11/20/21] N76	\$ 1,579.	230	VP30H1D18P__ [10/11/20/21] S82	\$ 2,399.	236
VP24H2D21P__ [12/19/23] N76	\$ 2,499.	230	VP30H1D18P__ [12/19/23] S82	\$ 3,329.	236
VP24H2D21P__ [22/26/27/28] N76	\$ 1,999.	230	VP30H1D18P__ [22/26/27/28] S82	\$ 2,879.	236
VP24H2D21P__ [10/11/20/21] N77	\$ 1,579.	230	VP30H1D18P__ [10/11/20/21] S83	\$ 2,399.	236
VP24H2D21P__ [12/19/23] N77	\$ 2,499.	230	VP30H1D18P__ [12/19/23] S83	\$ 3,329.	236
VP24H2D21P__ [22/26/27/28] N77	\$ 1,999.	230	VP30H1D18P__ [22/26/27/28] S83	\$ 2,879.	236
VP24H2D21P__ [10/11/20/21] N82	\$ 1,679.	230	VP30H1D18R__ [10/11/20/21] N76	\$ 1,479.	236
VP24H2D21P__ [12/19/23] N82	\$ 2,599.	230	VP30H1D18R__ [12/19/23] N76	\$ 2,099.	236
VP24H2D21P__ [22/26/27/28] N82	\$ 2,149.	230	VP30H1D18R__ [22/26/27/28] N76	\$ 1,799.	236
VP24H2D21P__ [10/11/20/21] N83	\$ 1,679.	230	VP30H1D18R__ [10/11/20/21] N77	\$ 1,479.	236
VP24H2D21P__ [12/19/23] N83	\$ 2,599.	230	VP30H1D18R__ [12/19/23] N77	\$ 2,099.	236
VP24H2D21P__ [22/26/27/28] N83	\$ 2,149.	230	VP30H1D18R__ [22/26/27/28] N77	\$ 1,799.	236
VP24H2D21P__ [10/11/20/21] S76	\$ 1,899.	230	VP30H1D18R__ [10/11/20/21] N82	\$ 1,579.	236
VP24H2D21P__ [12/19/23] S76	\$ 2,829.	230	VP30H1D18R__ [12/19/23] N82	\$ 2,199.	236
VP24H2D21P__ [22/26/27/28] S76	\$ 2,349.	230	VP30H1D18R__ [22/26/27/28] N82	\$ 1,899.	236
VP24H2D21P__ [10/11/20/21] S77	\$ 1,899.	230	VP30H1D18R__ [10/11/20/21] N83	\$ 1,579.	236
VP24H2D21P__ [12/19/23] S77	\$ 2,829.	230	VP30H1D18R__ [12/19/23] N83	\$ 2,199.	236
VP24H2D21P__ [22/26/27/28] S77	\$ 2,349.	230	VP30H1D18R__ [22/26/27/28] N83	\$ 1,899.	236
VP24H2D21P__ [10/11/20/21] S82	\$ 1,999.	230	VP30H1D18R__ [10/11/20/21] S76	\$ 1,849.	236
VP24H2D21P__ [12/19/23] S82	\$ 2,929.	230	VP30H1D18R__ [12/19/23] S76	\$ 2,449.	236
VP24H2D21P__ [22/26/27/28] S82	\$ 2,499.	230	VP30H1D18R__ [22/26/27/28] S76	\$ 2,149.	236
VP24H2D21P__ [10/11/20/21] S83	\$ 1,999.	230	VP30H1D18R__ [10/11/20/21] S77	\$ 1,849.	236
VP24H2D21P__ [12/19/23] S83	\$ 2,929.	230	VP30H1D18R__ [12/19/23] S77	\$ 2,449.	236
VP24H2D21P__ [22/26/27/28] S83	\$ 2,499.	230	VP30H1D18R__ [22/26/27/28] S77	\$ 2,149.	236
VP24H3D21A__ [11/21] N76	\$ 4,149.	216	VP30H1D18R__ [10/11/20/21] S82	\$ 1,949.	236
VP24H3D21A__ [26/27] N76	\$ 4,979.	216	VP30H1D18R__ [12/19/23] S82	\$ 2,549.	236
VP24H3D21A__ [11/21] S76	\$ 4,499.	216	VP30H1D18R__ [22/26/27/28] S82	\$ 2,249.	236
VP24H3D21A__ [26/27] S76	\$ 5,329.	216	VP30H1D18R__ [10/11/20/21] S83	\$ 1,949.	236
VP30H1D18F__ [10/11/20/21] N76	\$ 1,899.	236	VP30H1D18R__ [12/19/23] S83	\$ 2,549.	236
VP30H1D18F__ [12/19/23] N76	\$ 2,829.	236	VP30H1D18R__ [22/26/27/28] S83	\$ 2,249.	236
VP30H1D18F__ [22/26/27/28] N76	\$ 2,349.	236	VP30H1D18T__ [10/11/20/21] N76	\$ 1,899.	236
VP30H1D18F__ [10/11/20/21] N77	\$ 1,899.	236	VP30H1D18T__ [12/19/23] N76	\$ 2,829.	236
VP30H1D18F__ [12/19/23] N77	\$ 2,829.	236	VP30H1D18T__ [22/26/27/28] N76	\$ 2,349.	236
VP30H1D18F__ [22/26/27/28] N77	\$ 2,349.	236	VP30H1D18T__ [10/11/20/21] N77	\$ 1,899.	236
VP30H1D18F__ [10/11/20/21] N82	\$ 1,999.	236	VP30H1D18T__ [12/19/23] N77	\$ 2,829.	236
VP30H1D18F__ [12/19/23] N82	\$ 2,929.	236	VP30H1D18T__ [22/26/27/28] N77	\$ 2,349.	236
VP30H1D18F__ [22/26/27/28] N82	\$ 2,499.	236	VP30H1D18T__ [10/11/20/21] N82	\$ 1,999.	236
VP30H1D18F__ [10/11/20/21] N83	\$ 1,999.	236	VP30H1D18T__ [12/19/23] N82	\$ 2,929.	236
VP30H1D18F__ [12/19/23] N83	\$ 2,929.	236	VP30H1D18T__ [22/26/27/28] N82	\$ 2,499.	236
VP30H1D18F__ [22/26/27/28] N83	\$ 2,499.	236	VP30H1D18T__ [10/11/20/21] N83	\$ 1,999.	236
VP30H1D18F__ [10/11/20/21] S76	\$ 2,299.	236	VP30H1D18T__ [12/19/23] N83	\$ 2,929.	236
VP30H1D18F__ [12/19/23] S76	\$ 3,229.	236	VP30H1D18T__ [22/26/27/28] N83	\$ 2,499.	236
VP30H1D18F__ [22/26/27/28] S76	\$ 2,779.	236			

__ [] denotes Color/Pattern/Style options.

Model Number Price Index

Model Number	Price	Page	Model Number	Price	Page
VP30H1D18T__ [10/11/20/21]S76	\$ 2,299.	236	VP30H1D21R__ [10/11/20/21]N83	\$ 1,579.	234
VP30H1D18T__ [12/19/23]S76	\$ 3,229.	236	VP30H1D21R__ [12/19/23]N83	\$ 2,199.	234
VP30H1D18T__ [22/26/27/28]S76	\$ 2,779.	236	VP30H1D21R__ [22/26/27/28]N83	\$ 1,899.	234
VP30H1D18T__ [10/11/20/21]S77	\$ 2,299.	236	VP30H1D21R__ [10/11/20/21]S76	\$ 1,849.	234
VP30H1D18T__ [12/19/23]S77	\$ 3,229.	236	VP30H1D21R__ [12/19/23]S76	\$ 2,449.	234
VP30H1D18T__ [22/26/27/28]S77	\$ 2,779.	236	VP30H1D21R__ [22/26/27/28]S76	\$ 2,149.	234
VP30H1D18T__ [10/11/20/21]S82	\$ 2,399.	236	VP30H1D21R__ [10/11/20/21]S77	\$ 1,849.	234
VP30H1D18T__ [12/19/23]S82	\$ 3,329.	236	VP30H1D21R__ [12/19/23]S77	\$ 2,449.	234
VP30H1D18T__ [22/26/27/28]S82	\$ 2,879.	236	VP30H1D21R__ [22/26/27/28]S77	\$ 2,149.	234
VP30H1D18T__ [10/11/20/21]S83	\$ 2,399.	236	VP30H1D21R__ [10/11/20/21]S82	\$ 1,949.	234
VP30H1D18T__ [12/19/23]S83	\$ 3,329.	236	VP30H1D21R__ [12/19/23]S82	\$ 2,549.	234
VP30H1D18T__ [22/26/27/28]S83	\$ 2,879.	236	VP30H1D21R__ [22/26/27/28]S82	\$ 2,249.	234
VP30H1D21F__ [10/11/20/21]N76	\$ 1,899.	234	VP30H1D21R__ [10/11/20/21]S83	\$ 1,949.	234
VP30H1D21F__ [12/19/23]N76	\$ 2,829.	234	VP30H1D21R__ [12/19/23]S83	\$ 2,549.	234
VP30H1D21F__ [22/26/27/28]N76	\$ 2,349.	234	VP30H1D21R__ [22/26/27/28]S83	\$ 2,249.	234
VP30H1D21F__ [10/11/20/21]N77	\$ 1,899.	234	VP30H1D21T__ [10/11/20/21]N76	\$ 1,899.	234
VP30H1D21F__ [12/19/23]N77	\$ 2,829.	234	VP30H1D21T__ [12/19/23]N76	\$ 2,829.	234
VP30H1D21F__ [22/26/27/28]N77	\$ 2,349.	234	VP30H1D21T__ [22/26/27/28]N76	\$ 2,349.	234
VP30H1D21F__ [10/11/20/21]N82	\$ 1,999.	234	VP30H1D21T__ [10/11/20/21]N77	\$ 1,899.	234
VP30H1D21F__ [12/19/23]N82	\$ 2,929.	234	VP30H1D21T__ [12/19/23]N77	\$ 2,829.	234
VP30H1D21F__ [22/26/27/28]N82	\$ 2,499.	234	VP30H1D21T__ [22/26/27/28]N77	\$ 2,349.	234
VP30H1D21F__ [10/11/20/21]N83	\$ 1,999.	234	VP30H1D21T__ [10/11/20/21]N82	\$ 1,999.	234
VP30H1D21F__ [12/19/23]N83	\$ 2,929.	234	VP30H1D21T__ [12/19/23]N82	\$ 2,929.	234
VP30H1D21F__ [22/26/27/28]N83	\$ 2,499.	234	VP30H1D21T__ [22/26/27/28]N82	\$ 2,499.	234
VP30H1D21F__ [10/11/20/21]S76	\$ 2,299.	234	VP30H1D21T__ [10/11/20/21]N83	\$ 1,999.	234
VP30H1D21F__ [12/19/23]S76	\$ 3,229.	234	VP30H1D21T__ [12/19/23]N83	\$ 2,929.	234
VP30H1D21F__ [22/26/27/28]S76	\$ 2,779.	234	VP30H1D21T__ [22/26/27/28]N83	\$ 2,499.	234
VP30H1D21F__ [10/11/20/21]S77	\$ 2,299.	234	VP30H1D21T__ [10/11/20/21]S76	\$ 2,299.	234
VP30H1D21F__ [12/19/23]S77	\$ 3,229.	234	VP30H1D21T__ [12/19/23]S76	\$ 3,229.	234
VP30H1D21F__ [22/26/27/28]S77	\$ 2,779.	234	VP30H1D21T__ [22/26/27/28]S76	\$ 2,779.	234
VP30H1D21F__ [10/11/20/21]S82	\$ 2,399.	234	VP30H1D21T__ [10/11/20/21]S77	\$ 2,299.	234
VP30H1D21F__ [12/19/23]S82	\$ 3,329.	234	VP30H1D21T__ [12/19/23]S77	\$ 3,229.	234
VP30H1D21F__ [22/26/27/28]S82	\$ 2,879.	234	VP30H1D21T__ [22/26/27/28]S77	\$ 2,779.	234
VP30H1D21F__ [10/11/20/21]S83	\$ 2,399.	234	VP30H1D21T__ [10/11/20/21]S82	\$ 2,399.	234
VP30H1D21F__ [12/19/23]S83	\$ 3,329.	234	VP30H1D21T__ [12/19/23]S82	\$ 3,329.	234
VP30H1D21F__ [22/26/27/28]S83	\$ 2,879.	234	VP30H1D21T__ [22/26/27/28]S82	\$ 2,879.	234
VP30H1D21P__ [10/11/20/21]N76	\$ 1,899.	234	VP30H1D21T__ [10/11/20/21]S83	\$ 2,399.	234
VP30H1D21P__ [12/19/23]N76	\$ 2,829.	234	VP30H1D21T__ [12/19/23]S83	\$ 3,329.	234
VP30H1D21P__ [22/26/27/28]N76	\$ 2,349.	234	VP30H1D21T__ [22/26/27/28]S83	\$ 2,879.	234
VP30H1D21P__ [10/11/20/21]N77	\$ 1,899.	234	VP30H2D18F__ [10/11/20/21]N76	\$ 2,149.	236
VP30H1D21P__ [12/19/23]N77	\$ 2,829.	234	VP30H2D18F__ [12/19/23]N76	\$ 3,049.	236
VP30H1D21P__ [22/26/27/28]N77	\$ 2,349.	234	VP30H2D18F__ [22/26/27/28]N76	\$ 2,599.	236
VP30H1D21P__ [10/11/20/21]N82	\$ 1,999.	234	VP30H2D18F__ [10/11/20/21]N77	\$ 2,149.	236
VP30H1D21P__ [12/19/23]N82	\$ 2,929.	234	VP30H2D18F__ [12/19/23]N77	\$ 3,049.	236
VP30H1D21P__ [22/26/27/28]N82	\$ 2,499.	234	VP30H2D18F__ [22/26/27/28]N77	\$ 2,599.	236
VP30H1D21P__ [10/11/20/21]N83	\$ 1,999.	234	VP30H2D18F__ [10/11/20/21]N82	\$ 2,249.	236
VP30H1D21P__ [12/19/23]N83	\$ 2,929.	234	VP30H2D18F__ [12/19/23]N82	\$ 3,179.	236
VP30H1D21P__ [22/26/27/28]N83	\$ 2,499.	234	VP30H2D18F__ [22/26/27/28]N82	\$ 2,699.	236
VP30H1D21P__ [10/11/20/21]S76	\$ 2,299.	234	VP30H2D18F__ [10/11/20/21]N83	\$ 2,249.	236
VP30H1D21P__ [12/19/23]S76	\$ 3,229.	234	VP30H2D18F__ [12/19/23]N83	\$ 3,179.	236
VP30H1D21P__ [22/26/27/28]S76	\$ 2,779.	234	VP30H2D18F__ [22/26/27/28]N83	\$ 2,699.	236
VP30H1D21P__ [10/11/20/21]S77	\$ 2,299.	234	VP30H2D18F__ [10/11/20/21]S76	\$ 2,549.	236
VP30H1D21P__ [12/19/23]S77	\$ 3,229.	234	VP30H2D18F__ [12/19/23]S76	\$ 3,449.	236
VP30H1D21P__ [22/26/27/28]S77	\$ 2,779.	234	VP30H2D18F__ [22/26/27/28]S76	\$ 2,979.	236
VP30H1D21P__ [10/11/20/21]S82	\$ 2,399.	234	VP30H2D18F__ [10/11/20/21]S77	\$ 2,549.	236
VP30H1D21P__ [12/19/23]S82	\$ 3,329.	234	VP30H2D18F__ [12/19/23]S77	\$ 3,449.	236
VP30H1D21P__ [22/26/27/28]S82	\$ 2,879.	234	VP30H2D18F__ [22/26/27/28]S77	\$ 2,979.	236
VP30H1D21P__ [10/11/20/21]S83	\$ 2,399.	234	VP30H2D18F__ [10/11/20/21]S82	\$ 2,649.	236
VP30H1D21P__ [12/19/23]S83	\$ 3,329.	234	VP30H2D18F__ [12/19/23]S82	\$ 3,579.	236
VP30H1D21P__ [22/26/27/28]S83	\$ 2,879.	234	VP30H2D18F__ [22/26/27/28]S82	\$ 3,099.	236
VP30H1D21R__ [10/11/20/21]N76	\$ 1,479.	234	VP30H2D18F__ [10/11/20/21]S83	\$ 2,649.	236
VP30H1D21R__ [12/19/23]N76	\$ 2,099.	234	VP30H2D18F__ [12/19/23]S83	\$ 3,579.	236
VP30H1D21R__ [22/26/27/28]N76	\$ 1,799.	234	VP30H2D18F__ [22/26/27/28]S83	\$ 3,099.	236
VP30H1D21R__ [10/11/20/21]N77	\$ 1,479.	234	VP30H2D18P__ [10/11/20/21]N76	\$ 2,149.	236
VP30H1D21R__ [12/19/23]N77	\$ 2,099.	234	VP30H2D18P__ [12/19/23]N76	\$ 3,049.	236
VP30H1D21R__ [22/26/27/28]N77	\$ 1,799.	234	VP30H2D18P__ [22/26/27/28]N76	\$ 2,599.	236
VP30H1D21R__ [10/11/20/21]N82	\$ 1,579.	234	VP30H2D18P__ [10/11/20/21]N77	\$ 2,149.	236
VP30H1D21R__ [12/19/23]N82	\$ 2,199.	234	VP30H2D18P__ [12/19/23]N77	\$ 3,049.	236
VP30H1D21R__ [22/26/27/28]N82	\$ 1,899.	234	VP30H2D18P__ [22/26/27/28]N77	\$ 2,599.	236

__ [] denotes Color/Pattern/Style options.

Model Number Price Index

Model Number	Price	Page	Model Number	Price	Page
VP30H2D18P__ [10/11/20/21]N82	\$ 2,249.	236	VP36H1D18F__ [10/11/20/21]N76	\$ 2,499.	240
VP30H2D18P__ [12/19/23]N82	\$ 3,179.	236	VP36H1D18F__ [12/19/23]N76	\$ 3,379.	240
VP30H2D18P__ [22/26/27/28]N82	\$ 2,699.	236	VP36H1D18F__ [22/26/27/28]N76	\$ 2,929.	240
VP30H2D18P__ [10/11/20/21]N83	\$ 2,249.	236	VP36H1D18F__ [10/11/20/21]N77	\$ 2,499.	240
VP30H2D18P__ [12/19/23]N83	\$ 3,179.	236	VP36H1D18F__ [12/19/23]N77	\$ 3,379.	240
VP30H2D18P__ [22/26/27/28]N83	\$ 2,699.	236	VP36H1D18F__ [22/26/27/28]N77	\$ 2,929.	240
VP30H2D18P__ [10/11/20/21]S76	\$ 2,549.	236	VP36H1D18F__ [10/11/20/21]N82	\$ 2,599.	240
VP30H2D18P__ [12/19/23]S76	\$ 3,449.	236	VP36H1D18F__ [12/19/23]N82	\$ 3,529.	240
VP30H2D18P__ [22/26/27/28]S76	\$ 2,979.	236	VP36H1D18F__ [22/26/27/28]N82	\$ 3,049.	240
VP30H2D18P__ [10/11/20/21]S77	\$ 2,549.	236	VP36H1D18F__ [10/11/20/21]N83	\$ 2,599.	240
VP30H2D18P__ [12/19/23]S77	\$ 3,449.	236	VP36H1D18F__ [12/19/23]N83	\$ 3,529.	240
VP30H2D18P__ [22/26/27/28]S77	\$ 2,979.	236	VP36H1D18F__ [22/26/27/28]N83	\$ 3,049.	240
VP30H2D18P__ [10/11/20/21]S82	\$ 2,649.	236	VP36H1D18F__ [10/11/20/21]S76	\$ 2,929.	240
VP30H2D18P__ [12/19/23]S82	\$ 3,579.	236	VP36H1D18F__ [12/19/23]S76	\$ 3,849.	240
VP30H2D18P__ [22/26/27/28]S82	\$ 3,099.	236	VP36H1D18F__ [22/26/27/28]S76	\$ 3,379.	240
VP30H2D18P__ [10/11/20/21]S83	\$ 2,649.	236	VP36H1D18F__ [10/11/20/21]S77	\$ 2,929.	240
VP30H2D18P__ [12/19/23]S83	\$ 3,579.	236	VP36H1D18F__ [12/19/23]S77	\$ 3,849.	240
VP30H2D18P__ [22/26/27/28]S83	\$ 3,099.	236	VP36H1D18F__ [22/26/27/28]S77	\$ 3,379.	240
VP30H2D21F__ [10/11/20/21]N76	\$ 2,149.	234	VP36H1D18F__ [10/11/20/21]S82	\$ 3,049.	240
VP30H2D21F__ [12/19/23]N76	\$ 3,049.	234	VP36H1D18F__ [12/19/23]S82	\$ 3,949.	240
VP30H2D21F__ [22/26/27/28]N76	\$ 2,599.	234	VP36H1D18F__ [22/26/27/28]S82	\$ 3,529.	240
VP30H2D21F__ [10/11/20/21]N77	\$ 2,149.	234	VP36H1D18F__ [10/11/20/21]S83	\$ 3,049.	240
VP30H2D21F__ [12/19/23]N77	\$ 3,049.	234	VP36H1D18F__ [12/19/23]S83	\$ 3,949.	240
VP30H2D21F__ [22/26/27/28]N77	\$ 2,599.	234	VP36H1D18F__ [22/26/27/28]S83	\$ 3,529.	240
VP30H2D21F__ [10/11/20/21]N82	\$ 2,249.	234	VP36H1D18P__ [10/11/20/21]N76	\$ 2,499.	240
VP30H2D21F__ [12/19/23]N82	\$ 3,179.	234	VP36H1D18P__ [12/19/23]N76	\$ 3,379.	240
VP30H2D21F__ [22/26/27/28]N82	\$ 2,699.	234	VP36H1D18P__ [22/26/27/28]N76	\$ 2,929.	240
VP30H2D21F__ [10/11/20/21]N83	\$ 2,249.	234	VP36H1D18P__ [10/11/20/21]N77	\$ 2,499.	240
VP30H2D21F__ [12/19/23]N83	\$ 3,179.	234	VP36H1D18P__ [12/19/23]N77	\$ 3,379.	240
VP30H2D21F__ [22/26/27/28]N83	\$ 2,699.	234	VP36H1D18P__ [22/26/27/28]N77	\$ 2,929.	240
VP30H2D21F__ [10/11/20/21]S76	\$ 2,549.	234	VP36H1D18P__ [10/11/20/21]N82	\$ 2,599.	240
VP30H2D21F__ [12/19/23]S76	\$ 3,449.	234	VP36H1D18P__ [12/19/23]N82	\$ 3,529.	240
VP30H2D21F__ [22/26/27/28]S76	\$ 2,979.	234	VP36H1D18P__ [22/26/27/28]N82	\$ 3,049.	240
VP30H2D21F__ [10/11/20/21]S77	\$ 2,549.	234	VP36H1D18P__ [10/11/20/21]N83	\$ 2,599.	240
VP30H2D21F__ [12/19/23]S77	\$ 3,449.	234	VP36H1D18P__ [12/19/23]N83	\$ 3,529.	240
VP30H2D21F__ [22/26/27/28]S77	\$ 2,979.	234	VP36H1D18P__ [22/26/27/28]N83	\$ 3,049.	240
VP30H2D21F__ [10/11/20/21]S82	\$ 2,649.	234	VP36H1D18P__ [10/11/20/21]S76	\$ 2,929.	240
VP30H2D21F__ [12/19/23]S82	\$ 3,579.	234	VP36H1D18P__ [12/19/23]S76	\$ 3,849.	240
VP30H2D21F__ [22/26/27/28]S82	\$ 3,099.	234	VP36H1D18P__ [22/26/27/28]S76	\$ 3,379.	240
VP30H2D21F__ [10/11/20/21]S83	\$ 2,649.	234	VP36H1D18P__ [10/11/20/21]S77	\$ 2,929.	240
VP30H2D21F__ [12/19/23]S83	\$ 3,579.	234	VP36H1D18P__ [12/19/23]S77	\$ 3,849.	240
VP30H2D21F__ [22/26/27/28]S83	\$ 3,099.	234	VP36H1D18P__ [22/26/27/28]S77	\$ 3,379.	240
VP30H2D21P__ [10/11/20/21]N76	\$ 2,149.	234	VP36H1D18P__ [10/11/20/21]S82	\$ 3,049.	240
VP30H2D21P__ [12/19/23]N76	\$ 3,049.	234	VP36H1D18P__ [12/19/23]S82	\$ 3,949.	240
VP30H2D21P__ [22/26/27/28]N76	\$ 2,599.	234	VP36H1D18P__ [22/26/27/28]S82	\$ 3,529.	240
VP30H2D21P__ [10/11/20/21]N77	\$ 2,149.	234	VP36H1D18P__ [10/11/20/21]S83	\$ 3,049.	240
VP30H2D21P__ [12/19/23]N77	\$ 3,049.	234	VP36H1D18P__ [12/19/23]S83	\$ 3,949.	240
VP30H2D21P__ [22/26/27/28]N77	\$ 2,599.	234	VP36H1D18P__ [22/26/27/28]S83	\$ 3,529.	240
VP30H2D21P__ [10/11/20/21]N82	\$ 2,249.	234	VP36H1D18R__ [10/11/20/21]N76	\$ 1,999.	240
VP30H2D21P__ [12/19/23]N82	\$ 3,179.	234	VP36H1D18R__ [12/19/23]N76	\$ 2,599.	240
VP30H2D21P__ [22/26/27/28]N82	\$ 2,699.	234	VP36H1D18R__ [22/26/27/28]N76	\$ 2,299.	240
VP30H2D21P__ [10/11/20/21]N83	\$ 2,249.	234	VP36H1D18R__ [10/11/20/21]N77	\$ 1,999.	240
VP30H2D21P__ [12/19/23]N83	\$ 3,179.	234	VP36H1D18R__ [12/19/23]N77	\$ 2,599.	240
VP30H2D21P__ [22/26/27/28]N83	\$ 2,699.	234	VP36H1D18R__ [22/26/27/28]N77	\$ 2,299.	240
VP30H2D21P__ [10/11/20/21]S76	\$ 2,549.	234	VP36H1D18R__ [10/11/20/21]N82	\$ 2,099.	240
VP30H2D21P__ [12/19/23]S76	\$ 3,449.	234	VP36H1D18R__ [12/19/23]N82	\$ 2,729.	240
VP30H2D21P__ [22/26/27/28]S76	\$ 2,979.	234	VP36H1D18R__ [22/26/27/28]N82	\$ 2,399.	240
VP30H2D21P__ [10/11/20/21]S77	\$ 2,549.	234	VP36H1D18R__ [10/11/20/21]N83	\$ 2,099.	240
VP30H2D21P__ [12/19/23]S77	\$ 3,449.	234	VP36H1D18R__ [12/19/23]N83	\$ 2,729.	240
VP30H2D21P__ [22/26/27/28]S77	\$ 2,979.	234	VP36H1D18R__ [22/26/27/28]N83	\$ 2,399.	240
VP30H2D21P__ [10/11/20/21]S82	\$ 2,649.	234	VP36H1D18R__ [10/11/20/21]S76	\$ 2,399.	240
VP30H2D21P__ [12/19/23]S82	\$ 3,579.	234	VP36H1D18R__ [12/19/23]S76	\$ 3,029.	240
VP30H2D21P__ [22/26/27/28]S82	\$ 3,099.	234	VP36H1D18R__ [22/26/27/28]S76	\$ 2,729.	240
VP30H2D21P__ [10/11/20/21]S83	\$ 2,649.	234	VP36H1D18R__ [10/11/20/21]S77	\$ 2,399.	240
VP30H2D21P__ [12/19/23]S83	\$ 3,579.	234	VP36H1D18R__ [12/19/23]S77	\$ 3,029.	240
VP30H2D21P__ [22/26/27/28]S83	\$ 3,099.	234	VP36H1D18R__ [22/26/27/28]S77	\$ 2,729.	240
VP30H3D21A__ [11/21]N76	\$ 5,079.	216	VP36H1D18R__ [10/11/20/21]S82	\$ 2,499.	240
VP30H3D21A__ [26/27]N76	\$ 5,899.	216	VP36H1D18R__ [12/19/23]S82	\$ 3,129.	240
VP30H3D21A__ [11/21]S76	\$ 5,479.	216	VP36H1D18R__ [22/26/27/28]S82	\$ 2,829.	240
VP30H3D21A__ [26/27]S76	\$ 6,299.	216			

__ [] denotes Color/Pattern/Style options.

Model Number Price Index

Model Number	Price	Page	Model Number	Price	Page
VP36H1D18R__ [10/11/20/21] S83	\$ 2,499.	240	VP36H1D21P__ [10/11/20/21] S82	\$ 3,049.	238
VP36H1D18R__ [12/19/23] S83	\$ 3,129.	240	VP36H1D21P__ [12/19/23] S82	\$ 3,949.	238
VP36H1D18R__ [22/26/27/28] S83	\$ 2,829.	240	VP36H1D21P__ [22/26/27/28] S82	\$ 3,529.	238
VP36H1D18T__ [10/11/20/21] N76	\$ 2,499.	240	VP36H1D21P__ [10/11/20/21] S83	\$ 3,049.	238
VP36H1D18T__ [12/19/23] N76	\$ 3,379.	240	VP36H1D21P__ [12/19/23] S83	\$ 3,949.	238
VP36H1D18T__ [22/26/27/28] N76	\$ 2,929.	240	VP36H1D21P__ [22/26/27/28] S83	\$ 3,529.	238
VP36H1D18T__ [10/11/20/21] N77	\$ 2,499.	240	VP36H1D21R__ [10/11/20/21] N76	\$ 1,999.	238
VP36H1D18T__ [12/19/23] N77	\$ 3,379.	240	VP36H1D21R__ [12/19/23] N76	\$ 2,599.	238
VP36H1D18T__ [22/26/27/28] N77	\$ 2,929.	240	VP36H1D21R__ [22/26/27/28] N76	\$ 2,299.	238
VP36H1D18T__ [10/11/20/21] N82	\$ 2,599.	240	VP36H1D21R__ [10/11/20/21] N77	\$ 1,999.	238
VP36H1D18T__ [12/19/23] N82	\$ 3,529.	240	VP36H1D21R__ [12/19/23] N77	\$ 2,599.	238
VP36H1D18T__ [22/26/27/28] N82	\$ 3,049.	240	VP36H1D21R__ [22/26/27/28] N77	\$ 2,299.	238
VP36H1D18T__ [10/11/20/21] N83	\$ 2,599.	240	VP36H1D21R__ [10/11/20/21] N82	\$ 2,099.	238
VP36H1D18T__ [12/19/23] N83	\$ 3,529.	240	VP36H1D21R__ [12/19/23] N82	\$ 2,729.	238
VP36H1D18T__ [22/26/27/28] N83	\$ 3,049.	240	VP36H1D21R__ [22/26/27/28] N82	\$ 2,399.	238
VP36H1D18T__ [10/11/20/21] S76	\$ 2,929.	240	VP36H1D21R__ [10/11/20/21] N83	\$ 2,099.	238
VP36H1D18T__ [12/19/23] S76	\$ 3,849.	240	VP36H1D21R__ [12/19/23] N83	\$ 2,729.	238
VP36H1D18T__ [22/26/27/28] S76	\$ 3,379.	240	VP36H1D21R__ [22/26/27/28] N83	\$ 2,399.	238
VP36H1D18T__ [10/11/20/21] S77	\$ 2,929.	240	VP36H1D21R__ [10/11/20/21] S76	\$ 2,399.	238
VP36H1D18T__ [12/19/23] S77	\$ 3,849.	240	VP36H1D21R__ [12/19/23] S76	\$ 3,029.	238
VP36H1D18T__ [22/26/27/28] S77	\$ 3,379.	240	VP36H1D21R__ [22/26/27/28] S76	\$ 2,729.	238
VP36H1D18T__ [10/11/20/21] S82	\$ 3,049.	240	VP36H1D21R__ [10/11/20/21] S77	\$ 2,399.	238
VP36H1D18T__ [12/19/23] S82	\$ 3,949.	240	VP36H1D21R__ [12/19/23] S77	\$ 3,029.	238
VP36H1D18T__ [22/26/27/28] S82	\$ 3,529.	240	VP36H1D21R__ [22/26/27/28] S77	\$ 2,729.	238
VP36H1D18T__ [10/11/20/21] S83	\$ 3,049.	240	VP36H1D21R__ [10/11/20/21] S82	\$ 2,499.	238
VP36H1D18T__ [12/19/23] S83	\$ 3,949.	240	VP36H1D21R__ [12/19/23] S82	\$ 3,129.	238
VP36H1D18T__ [22/26/27/28] S83	\$ 3,529.	240	VP36H1D21R__ [22/26/27/28] S82	\$ 2,829.	238
VP36H1D21F__ [10/11/20/21] N76	\$ 2,499.	238	VP36H1D21R__ [10/11/20/21] S83	\$ 2,499.	238
VP36H1D21F__ [12/19/23] N76	\$ 3,379.	238	VP36H1D21R__ [12/19/23] S83	\$ 3,129.	238
VP36H1D21F__ [22/26/27/28] N76	\$ 2,929.	238	VP36H1D21R__ [22/26/27/28] S83	\$ 2,829.	238
VP36H1D21F__ [10/11/20/21] N77	\$ 2,499.	238	VP36H1D21T__ [10/11/20/21] N76	\$ 2,499.	238
VP36H1D21F__ [12/19/23] N77	\$ 3,379.	238	VP36H1D21T__ [12/19/23] N76	\$ 3,379.	238
VP36H1D21F__ [22/26/27/28] N77	\$ 2,929.	238	VP36H1D21T__ [22/26/27/28] N76	\$ 2,929.	238
VP36H1D21F__ [10/11/20/21] N82	\$ 2,599.	238	VP36H1D21T__ [10/11/20/21] N77	\$ 2,499.	238
VP36H1D21F__ [12/19/23] N82	\$ 3,529.	238	VP36H1D21T__ [12/19/23] N77	\$ 3,379.	238
VP36H1D21F__ [22/26/27/28] N82	\$ 3,049.	238	VP36H1D21T__ [22/26/27/28] N77	\$ 2,929.	238
VP36H1D21F__ [10/11/20/21] N83	\$ 2,599.	238	VP36H1D21T__ [10/11/20/21] N82	\$ 2,599.	238
VP36H1D21F__ [12/19/23] N83	\$ 3,529.	238	VP36H1D21T__ [12/19/23] N82	\$ 3,529.	238
VP36H1D21F__ [22/26/27/28] N83	\$ 3,049.	238	VP36H1D21T__ [22/26/27/28] N82	\$ 3,049.	238
VP36H1D21F__ [10/11/20/21] S76	\$ 2,929.	238	VP36H1D21T__ [10/11/20/21] N83	\$ 2,599.	238
VP36H1D21F__ [12/19/23] S76	\$ 3,849.	238	VP36H1D21T__ [12/19/23] N83	\$ 3,529.	238
VP36H1D21F__ [22/26/27/28] S76	\$ 3,379.	238	VP36H1D21T__ [22/26/27/28] N83	\$ 3,049.	238
VP36H1D21F__ [10/11/20/21] S77	\$ 2,929.	238	VP36H1D21T__ [10/11/20/21] S76	\$ 2,929.	238
VP36H1D21F__ [12/19/23] S77	\$ 3,849.	238	VP36H1D21T__ [12/19/23] S76	\$ 3,849.	238
VP36H1D21F__ [22/26/27/28] S77	\$ 3,379.	238	VP36H1D21T__ [22/26/27/28] S76	\$ 3,379.	238
VP36H1D21F__ [10/11/20/21] S82	\$ 3,049.	238	VP36H1D21T__ [10/11/20/21] S77	\$ 2,929.	238
VP36H1D21F__ [12/19/23] S82	\$ 3,949.	238	VP36H1D21T__ [12/19/23] S77	\$ 3,849.	238
VP36H1D21F__ [22/26/27/28] S82	\$ 3,529.	238	VP36H1D21T__ [22/26/27/28] S77	\$ 3,379.	238
VP36H1D21F__ [10/11/20/21] S83	\$ 3,049.	238	VP36H1D21T__ [10/11/20/21] S82	\$ 3,049.	238
VP36H1D21F__ [12/19/23] S83	\$ 3,949.	238	VP36H1D21T__ [12/19/23] S82	\$ 3,949.	238
VP36H1D21F__ [22/26/27/28] S83	\$ 3,529.	238	VP36H1D21T__ [22/26/27/28] S82	\$ 3,529.	238
VP36H1D21P__ [10/11/20/21] N76	\$ 2,499.	238	VP36H1D21T__ [10/11/20/21] S83	\$ 3,049.	238
VP36H1D21P__ [12/19/23] N76	\$ 3,379.	238	VP36H1D21T__ [12/19/23] S83	\$ 3,949.	238
VP36H1D21P__ [22/26/27/28] N76	\$ 2,929.	238	VP36H1D21T__ [22/26/27/28] S83	\$ 3,529.	238
VP36H1D21P__ [10/11/20/21] N77	\$ 2,499.	238	VP36H2D18F__ [10/11/20/21] N76	\$ 2,699.	240
VP36H1D21P__ [12/19/23] N77	\$ 3,379.	238	VP36H2D18F__ [12/19/23] N76	\$ 3,629.	240
VP36H1D21P__ [22/26/27/28] N77	\$ 2,929.	238	VP36H2D18F__ [22/26/27/28] N76	\$ 3,179.	240
VP36H1D21P__ [10/11/20/21] N82	\$ 2,599.	238	VP36H2D18F__ [10/11/20/21] N77	\$ 2,699.	240
VP36H1D21P__ [12/19/23] N82	\$ 3,529.	238	VP36H2D18F__ [12/19/23] N77	\$ 3,629.	240
VP36H1D21P__ [22/26/27/28] N82	\$ 3,049.	238	VP36H2D18F__ [22/26/27/28] N77	\$ 3,179.	240
VP36H1D21P__ [10/11/20/21] N83	\$ 2,599.	238	VP36H2D18F__ [10/11/20/21] N82	\$ 2,829.	240
VP36H1D21P__ [12/19/23] N83	\$ 3,529.	238	VP36H2D18F__ [12/19/23] N82	\$ 3,749.	240
VP36H1D21P__ [22/26/27/28] N83	\$ 3,049.	238	VP36H2D18F__ [22/26/27/28] N82	\$ 3,279.	240
VP36H1D21P__ [10/11/20/21] S76	\$ 2,929.	238	VP36H2D18F__ [10/11/20/21] N83	\$ 2,829.	240
VP36H1D21P__ [12/19/23] S76	\$ 3,849.	238	VP36H2D18F__ [12/19/23] N83	\$ 3,749.	240
VP36H1D21P__ [22/26/27/28] S76	\$ 3,379.	238	VP36H2D18F__ [22/26/27/28] N83	\$ 3,279.	240
VP36H1D21P__ [10/11/20/21] S77	\$ 2,929.	238	VP36H2D18F__ [10/11/20/21] S76	\$ 3,179.	240
VP36H1D21P__ [12/19/23] S77	\$ 3,849.	238	VP36H2D18F__ [12/19/23] S76	\$ 4,099.	240
VP36H1D21P__ [22/26/27/28] S77	\$ 3,379.	238	VP36H2D18F__ [22/26/27/28] S76	\$ 3,629.	240

__ [] denotes Color/Pattern/Style options.

Model Number Price Index

Model Number	Price	Page	Model Number	Price	Page
VP36H2D18F__[10/11/20/21]S77	\$ 3,179.	240	VP36H2D21P__[10/11/20/21]S76	\$ 3,179.	238
VP36H2D18F__[12/19/23]S77	\$ 4,099.	240	VP36H2D21P__[12/19/23]S76	\$ 4,099.	238
VP36H2D18F__[22/26/27/28]S77	\$ 3,629.	240	VP36H2D21P__[22/26/27/28]S76	\$ 3,629.	238
VP36H2D18F__[10/11/20/21]S82	\$ 3,279.	240	VP36H2D21P__[10/11/20/21]S77	\$ 3,179.	238
VP36H2D18F__[12/19/23]S82	\$ 4,199.	240	VP36H2D21P__[12/19/23]S77	\$ 4,099.	238
VP36H2D18F__[22/26/27/28]S82	\$ 3,749.	240	VP36H2D21P__[22/26/27/28]S77	\$ 3,629.	238
VP36H2D18F__[10/11/20/21]S83	\$ 3,279.	240	VP36H2D21P__[10/11/20/21]S82	\$ 3,279.	238
VP36H2D18F__[12/19/23]S83	\$ 4,199.	240	VP36H2D21P__[12/19/23]S82	\$ 4,199.	238
VP36H2D18F__[22/26/27/28]S83	\$ 3,749.	240	VP36H2D21P__[22/26/27/28]S82	\$ 3,749.	238
VP36H2D18P__[10/11/20/21]N76	\$ 2,699.	240	VP36H2D21P__[10/11/20/21]S83	\$ 3,279.	238
VP36H2D18P__[12/19/23]N76	\$ 3,629.	240	VP36H2D21P__[12/19/23]S83	\$ 4,199.	238
VP36H2D18P__[22/26/27/28]N76	\$ 3,179.	240	VP36H2D21P__[22/26/27/28]S83	\$ 3,749.	238
VP36H2D18P__[10/11/20/21]N77	\$ 2,699.	240	VP36H3D21A__[11/21]N76	\$ 5,999.	216
VP36H2D18P__[12/19/23]N77	\$ 3,629.	240	VP36H3D21A__[26/27]N76	\$ 6,829.	216
VP36H2D18P__[22/26/27/28]N77	\$ 3,179.	240	VP36H3D21A__[11/21]S76	\$ 6,449.	216
VP36H2D18P__[10/11/20/21]N82	\$ 2,829.	240	VP36H3D21A__[26/27]S76	\$ 7,279.	216
VP36H2D18P__[12/19/23]N82	\$ 3,749.	240	X202-1116	\$ 149.	307
VP36H2D18P__[22/26/27/28]N82	\$ 3,279.	240	X202-1136	\$ 99.	305
VP36H2D18P__[10/11/20/21]N83	\$ 2,829.	240	X202-1137	\$ 99.	305
VP36H2D18P__[12/19/23]N83	\$ 3,749.	240	X202-1138	\$ 99.	305
VP36H2D18P__[22/26/27/28]N83	\$ 3,279.	240	X202-1567	\$ 99.	305
VP36H2D18P__[10/11/20/21]S76	\$ 3,179.	240	X202-1568	\$ 109.	305
VP36H2D18P__[12/19/23]S76	\$ 4,099.	240	X202-1569	\$ 109.	305
VP36H2D18P__[22/26/27/28]S76	\$ 3,629.	240	X202-1570	\$ 119.	305
VP36H2D18P__[10/11/20/21]S77	\$ 3,179.	240	X202-1573	\$ 109.	305
VP36H2D18P__[12/19/23]S77	\$ 4,099.	240	X205-1783	\$ 49.	306
VP36H2D18P__[22/26/27/28]S77	\$ 3,629.	240	X205-2666-S	\$ 149.	306
VP36H2D18P__[10/11/20/21]S82	\$ 3,279.	240	X205-2667-S	\$ 199.	306
VP36H2D18P__[12/19/23]S82	\$ 4,199.	240	X205-2668-S	\$ 219.	306
VP36H2D18P__[22/26/27/28]S82	\$ 3,749.	240	X205-2669-S	\$ 249.	306
VP36H2D18P__[10/11/20/21]S83	\$ 3,279.	240	X205-2670-S	\$ 239.	306
VP36H2D18P__[12/19/23]S83	\$ 4,199.	240	X205-2671-S	\$ 259.	306
VP36H2D18P__[22/26/27/28]S83	\$ 3,749.	240	X205-2672-S	\$ 299.	306
VP36H2D21F__[10/11/20/21]N76	\$ 2,699.	238	X216-1054	\$ 19.	306
VP36H2D21F__[12/19/23]N76	\$ 3,629.	238	X216-1055	\$ 19.	306
VP36H2D21F__[22/26/27/28]N76	\$ 3,179.	238	X216-1056	\$ 19.	306
VP36H2D21F__[10/11/20/21]N77	\$ 2,699.	238	X216-1057	\$ 19.	306
VP36H2D21F__[12/19/23]N77	\$ 3,629.	238	X216-1112	\$ 19.	306
VP36H2D21F__[22/26/27/28]N77	\$ 3,179.	238	X216-1124	\$ 49.	306
VP36H2D21F__[10/11/20/21]N82	\$ 2,829.	238	X216-1159	\$ 109.	306
VP36H2D21F__[12/19/23]N82	\$ 3,749.	238	X216-1161	\$ 89.	306
VP36H2D21F__[22/26/27/28]N82	\$ 3,279.	238	X216-1166	\$ 19.	306
VP36H2D21F__[10/11/20/21]N83	\$ 2,829.	238	X216-1188	\$ 69.	306
VP36H2D21F__[12/19/23]N83	\$ 3,749.	238	X216-1189	\$ 79.	306
VP36H2D21F__[22/26/27/28]N83	\$ 3,279.	238	X219-1091	\$ 149.	307
VP36H2D21F__[10/11/20/21]S76	\$ 3,179.	238	X219-1096	\$ 149.	307
VP36H2D21F__[12/19/23]S76	\$ 4,099.	238	X219-1145	\$ 99.	307
VP36H2D21F__[22/26/27/28]S76	\$ 3,629.	238	XSS131-12	\$ 19.	306
VP36H2D21F__[10/11/20/21]S77	\$ 3,179.	238	XSS134-36	\$ 19.	306
VP36H2D21F__[12/19/23]S77	\$ 4,099.	238	XSS712-2	\$ 19.	306
VP36H2D21F__[22/26/27/28]S77	\$ 3,629.	238	YC2430D4P1L3	\$ 1,249.	73
VP36H2D21F__[10/11/20/21]S82	\$ 3,279.	238	YC2430D4P1R3	\$ 1,249.	73
VP36H2D21F__[12/19/23]S82	\$ 4,199.	238	YC2440D4P1L3	\$ 1,499.	73
VP36H2D21F__[22/26/27/28]S82	\$ 3,749.	238	YC2440D4P1R3	\$ 1,499.	73
VP36H2D21F__[10/11/20/21]S83	\$ 3,279.	238	YM0030CIFPD3	\$ 929.	202
VP36H2D21F__[12/19/23]S83	\$ 4,199.	238	YM0030CIFPD4	\$ 929.	202
VP36H2D21F__[22/26/27/28]S83	\$ 3,749.	238	YM0030CFFPD3	\$ 879.	202
VP36H2D21P__[10/11/20/21]N76	\$ 2,699.	238	YM0040CIFPD3	\$ 1,129.	202
VP36H2D21P__[12/19/23]N76	\$ 3,629.	238	YM0040CIFPD4	\$ 1,129.	202
VP36H2D21P__[22/26/27/28]N76	\$ 3,179.	238	YM0040CFFPD3	\$ 1,079.	202
VP36H2D21P__[10/11/20/21]N77	\$ 2,699.	238	YM2430RCFFPD3	\$ 599.	201
VP36H2D21P__[12/19/23]N77	\$ 3,629.	238	YM2430RCFFPD4	\$ 599.	201
VP36H2D21P__[22/26/27/28]N77	\$ 3,179.	238	YM2430RGFFPD3	\$ 699.	200
VP36H2D21P__[10/11/20/21]N82	\$ 2,829.	238	YM2430RIFPD3	\$ 829.	202
VP36H2D21P__[12/19/23]N82	\$ 3,749.	238	YM2430RIFPD4	\$ 829.	202
VP36H2D21P__[22/26/27/28]N82	\$ 3,279.	238	YM2430RPFPD3	\$ 779.	201
VP36H2D21P__[10/11/20/21]N83	\$ 2,829.	238	YM2430RPFPD3K	\$ 949.	201
VP36H2D21P__[12/19/23]N83	\$ 3,749.	238	YM2430RSFPD3	\$ 699.	200
VP36H2D21P__[22/26/27/28]N83	\$ 3,279.	238	YM2440RCFFPD3	\$ 649.	201
			YM2440RCFFPD4	\$ 649.	201

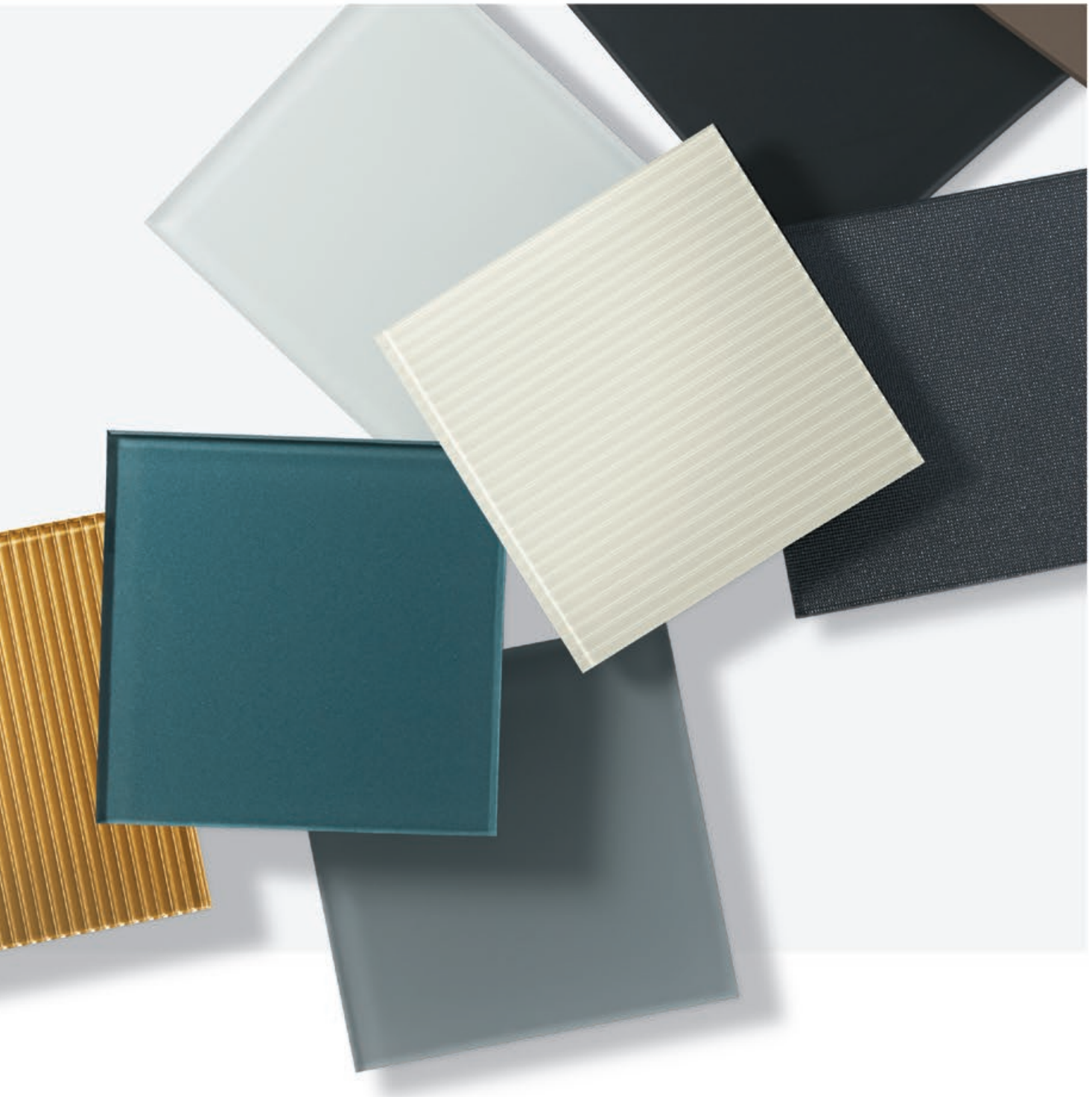
_[] denotes Color/Pattern/Style options.

Model Number Price Index

Model Number	Price	Page
YM2440RGFPD3	\$ 749.	200
YM2440RIFPD3	\$ 879.	202
YM2440RIFPD4	\$ 879.	202
YM2440RPFPPD3	\$ 829.	201
YM2440RPFPPD3K	\$ 999.	201
YM2440RSFPD3	\$ 749.	200
YM2531RPSMD3__[76/77]	\$ 1,149.	193
YM2531RPSMD3__[82/83]	\$ 1,249.	193
YM2531RPSMD3K__[76/77]	\$ 1,249.	193
YM2531RPSMD3K__[82/83]	\$ 1,349.	193
YM2541RPSMD3__[76/77]	\$ 1,349.	193
YM2541RPSMD3__[82/83]	\$ 1,649.	193
YM2541RPSMD3K__[76/77]	\$ 1,479.	193
YM2541RPSMD3K__[82/83]	\$ 1,749.	193
YM2733RPCMD3__[76/77]	\$ 1,529.	193
YM2733RPCMD3__[82/83]	\$ 1,799.	193
YM2733RPCMD3K__[76/77]	\$ 1,649.	193
YM2733RPCMD3K__[82/83]	\$ 1,899.	193
YM2743RPCMD3__[76/77]	\$ 1,749.	193
YM2743RPCMD3__[82/83]	\$ 1,999.	193
YM2743RPCMD3K__[76/77]	\$ 1,849.	193
YM2743RPCMD3K__[82/83]	\$ 2,099.	193
YM3030RCFPD3	\$ 729.	201
YM3030RCFPD4	\$ 729.	201
YM3030RIFPD3	\$ 929.	202
YM3030RIFPD4	\$ 929.	202
YM3030RPFPPD3	\$ 879.	201
YM3040RCFPD3	\$ 779.	201
YM3040RCFPD4	\$ 779.	201
YM3040RGFPD3	\$ 879.	200
YM3040RIFPD3	\$ 999.	202
YM3040RIFPD4	\$ 999.	202

Model Number	Price	Page
YM3040RPFPPD3	\$ 979.	201
YM3040RPFPPD3K	\$ 1,129.	201
YM3040RSFPD3	\$ 879.	200
YM3141RPSMD3__[76/77]	\$ 1,529.	193
YM3141RPSMD3__[82/83]	\$ 1,779.	193
YM3141RPSMD3K__[76/77]	\$ 1,579.	193
YM3141RPSMD3K__[82/83]	\$ 1,849.	193
YM3343RPCMD3__[76/77]	\$ 1,879.	193
YM3343RPCMD3__[82/83]	\$ 2,149.	193
YM3343RPCMD3K__[76/77]	\$ 1,949.	193
YM3343RPCMD3K__[82/83]	\$ 2,199.	193
YM3630RCFPD3	\$ 829.	201
YM3630RCFPD4	\$ 829.	201
YM3630RIFPD3	\$ 1,079.	202
YM3630RIFPD4	\$ 1,079.	202
YM3630RPFPPD3	\$ 999.	201
YM3640RCFPD3	\$ 879.	201
YM3640RCFPD4	\$ 879.	201
YM3640RGFPD3	\$ 999.	200
YM3640RIFPD3	\$ 1,129.	202
YM3640RIFPD4	\$ 1,129.	202
YM3640RPFPPD3	\$ 1,079.	201
YM3640RPFPPD3K	\$ 1,229.	201
YM3640RSFPD3	\$ 999.	200
YM4836RCFPD3P	\$ 1,179.	201
YM4836RCFPD4P	\$ 1,179.	201
YM4836RGFPD3P	\$ 1,279.	200
YM4836RIFPD3P	\$ 1,479.	202
YM4836RIFPD4P	\$ 1,479.	202
YM4836RPFPPD3P	\$ 1,429.	201
YM4836RSFPD3P	\$ 1,279.	200

__[] denotes Color/Pattern/Style options.



COLORS & FINISHES

From moody to playful, calming to invigorating, nothing dictates the experience of a room like color and texture. Because the slightest change in tone or contour can completely change the perception of a surface, we spend countless hours developing and refining our palette and materials to achieve precise and purposeful impact so that you can create a styling space that makes a statement.

ESSENTIAL PALETTE

Just as a building's foundation supports the entire structure, our Essentials palette forms the foundation of a timeless yet modern design aesthetic. Exceptionally versatile and robust, our Essentials colors distill style into their strongest, most basic elements, establishing a purity of form and expression while supporting a wide range of design choices.



WHITE (21)

MIRROR (10)



TINTED GRAY
MIRROR (11)

BLACK (20)



IN THIS ROOM Profiles® vanity in Tinted Gray Mirror with Matte Black finish

CLASSIC PALETTE

Finding its own unique design voice, our Classic palette adds subtle yet confident phrasing to the aesthetic conversation. From the softly understated and warm matte finishes to the elegantly textured, nature-inspired Reeded glass, our Classic colors make a nuanced, sophisticated design statement.



MATTE WHITE (26)

BEACH (22)



MATTE GRAY (27)

MATTE BLACK (28)



REEDED WHITE (60)

REEDED BRASS (61)

Reeded glass available
for Cartesian® vanities only.

INSPIRE PALETTE

Bold and sophisticated, our Inspire palette proclaims a confident and charismatic expression that easily carries the lead role in a room's design narrative. Rich, sensuous colors are paired with exotic finishes and textures to establish three-dimensional poetry that resonates with emotion and optimism.



SATIN WHITE (19)



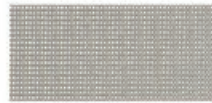
SATIN BRONZE (12)



OCEAN (23)



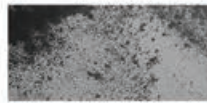
SMOKE SCREEN (24)



SILVER SCREEN (25)



ARCOBALENO
ANTIQUE MIRROR
(58)



LUNA ANTIQUE
MIRROR (59)

Smoke Screen and Silver Screen glass available for Cartesian vanities only.
Antique Mirror glass available for Profiles vanities only.



IN THIS ROOM Profiles® vanity in Arcobaleno Antique Mirror with Matte Gold finish

METAL FINISHES



ANODIZED
ALUMINUM (AL)



CHROME (76)



BRUSHED NICKEL (71)



POLISHED NICKEL (77)



SATIN NICKEL (70)



MATTE GOLD (82)



LIGHT BRUSHED
BRONZE (85)



BRUSHED BRONZE
(75)



MATTE BLACK (83)



BRUSHED BLACK
(74)

SCULPT.® LIGHTED MIRROR
COLLECTION, UPLIFT.® TECH
MEDICINE CABINETS AND
PROFILES.® COLLECTION: Chrome,
Polished Nickel, Matte Gold and
Matte Black

MAIN LINE MEDICINE CABINETS
AND MIRRORS: Chrome, Polished
Nickel, Satin Nickel, Brushed Nickel,
Brushed Bronze and Brushed Black

UPLIFT PENDANTS AND SCONCES:
Anodized Aluminum, Chrome,
Brushed Nickel and Polished Nickel

1.5 SERIES LIGHTING: White,
Chrome, Brushed Nickel, Black

MAGNIFICATION MIRRORS: Chrome,
Satin Nickel, Light Brushed Bronze
and Matte Black

VANITY TOP COLORS

ENGINEERED STONE:



WHITE ZEUS
EXTREME (93)



QUARTZ WHITE (92)



LYRA (94)

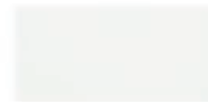


STONE GRAY (91)



LAVA BLACK (90)

GLASS:



WHITE (21)



IN THIS ROOM Profiles® vanity in Luna Antique Mirror with Matte Black finish and night lights; Vanity top in White Zeus Extreme; Sculpt® lighted mirror with Chamfer museum frame with Matte Black finish, perimeter light pattern in 2700K color temperature, dimmable and defogger



robern®

robern.com | customerservice@robern.com | 800-877-2376
217-1314 ©2021 by Robern, Inc.