





DORNBRAUCH YAMOU Pressure Balance Valve - Chrome

36 915 831 Product version from 5/1/2023



- Cover plate Ø "
- Automatic diverter

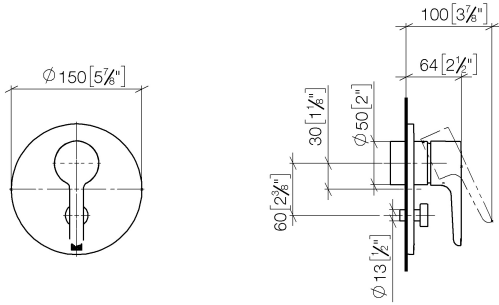
	Chrome	36 915 831-00
	Soft Black	36 915 831-69



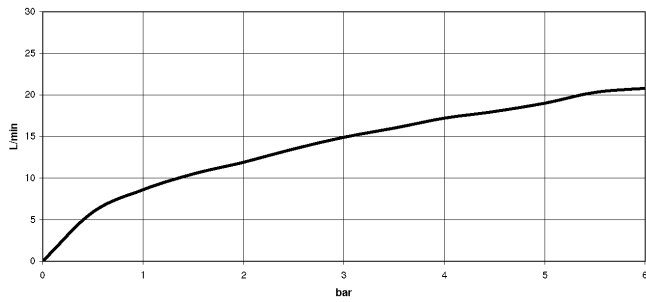
DORNBRACHT YAMOU Pressure Balance Valve - Chrome

36 915 831 Product version from 5/1/2023

mm [inches]



Flow rate chart



Codes & Standards

ASME A112.18.1

cUPC



DORNBRAUGHT YAMOU Pressure Balance Valve - Chrome

36 915 831 Product version from 5/1/2023

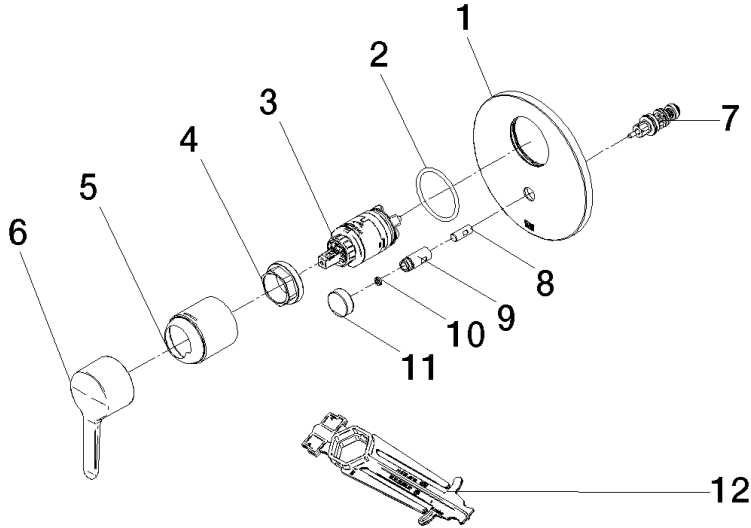
Certificates

IAPMO_4976 (

DORNBRAUCHT YAMOU Pressure Balance Valve - Chrome

36 915 831 Product version from 5/1/2023

Parts for other finishes can be found here: [Soft Black](#)



Spare parts list

Number	Item Number	Designation	Number of units	Lead time
1	09 11 02 261-00	plate	1	10
2	09 14 10 084 90	seal	1	2
3	90 15 05 069 00 90	cartridge	1	2
4	09 24 04 448 90	nut	1	2
5	09 11 02 360-00	cover	1	60
6	90 20 83 061 00-00	handle	1	20
7	90 21 34 081 00 90	diverter	1	2
8	09 24 03 226 90	adaptor	1	2
9	09 31 09 139-00	pull-rod	1	10
10	09 24 03 227 90	screw	1	2
11	09 20 78 056-00	handle	1	10
12	90 30 09 064 00 90	key	1	2